

## Isolating transformer ETTK 2500



Picture shows ETTK 630

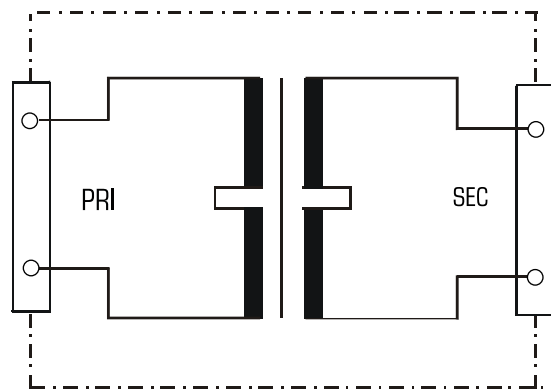
### Advantages

Safe galvanic isolation
Integrated short-circuit and overload protection
Very good moisture protection and low noise thanks to resin encapsulation
High degree of protection
Carry handle, shockproof socket for portable application

### Applications

Isolating transformer for the safe electrical isolation of the input and output sides. The transformer may be used to set up protective separation as a protective measure in accordance with VDE 0100. The specified protection class is only guaranteed if a plug with at least the protection class of the device is used.

### Sample application



### Standards

Isolating transformer  
to: VDE 0570 Part 2-4, DIN EN 61558-2-4, EN 61558-2-4, IEC 61558-2-4

### Approvals

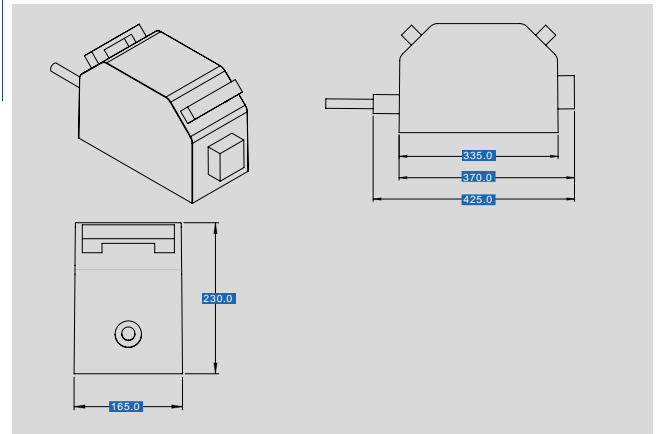




# Isolating transformer ETTK 2500

Type		ETTK 2500
Electrical data	Input	
	Rated frequency	50 - 60 Hz
	Rated input voltage	230 Vac
	Output	
	Rated output voltage	230 Vac
	Rated Power	2,500 VA
	Environment	
	Ambient temperature max.	40 °C
	Safety and protection	
	Type	Resin encapsulated transformer
	Insulation class	A
	Protection index	IP 67
	Safety class	II
	Short circuit strength	short-circuit proof
	Test voltage	4,000 Vac, 50 Hz
Order numbers		
<b>Order Number</b>	<b>ETTK 2500</b>	

Type		ETTK 2500
Mechanical data	Terminal and mounting	
	Terminals Input	Mains connecting cable with Schuko plug
	Terminals Output	Shockproof socket
	Measures and weights	
	Weight	39.00 kg



Subject to change.