

Product data sheet

Specifications

SQUARE D

Green Premium™



Low voltage transformer, DOE 2016, dry type, 1 phase, 25KVA, 240x480V pri, 120/240V sec, Al, 150C rise, Type 2

EE25S3H

Product availability : Stock - Normally stocked in distribution facility

Price* : 7,109.00 USD

Main

Product	Energy Efficient Transformer
Enclosure Code	17H
Enclosure Type	NEMA 2
Insulation Temperature	428 °F (220 °C)
Phase	1 phase
Primary Voltage	240 x 480 V
Power Rating	25 kVA
Secondary Voltage	120/240 V
Full Capacity Taps	6 2.5 % 2+ 4-
Temperature Rise	150 °C
Winding Material	Aluminium

Complementary

Height	37 in (939.80 mm)
Width	20 in (508.00 mm)
Depth	16 in (406.40 mm)
Net Weight	285.00 lb(US) (129.274 kg)

Ordering and shipping details

Category	16284-1 PH EE/TP1 LVGP XFMR
Discount Schedule	PE2E
GTIN	785901558934
Returnability	Yes
Country of origin	MX

Packing Units

Unit Type of Package 1	PCE
Number of Units in Package 1	1

* Price is "List Price" and may be subject to a trade discount – check with your local distributor or retailer for actual price.

Package 1 Height	42.99 in (109.2 cm)
Package 1 Width	21.81 in (55.4 cm)
Package 1 Length	17.72 in (45.0 cm)
Package 1 Weight	302.00 lb(US) (136.985 kg)

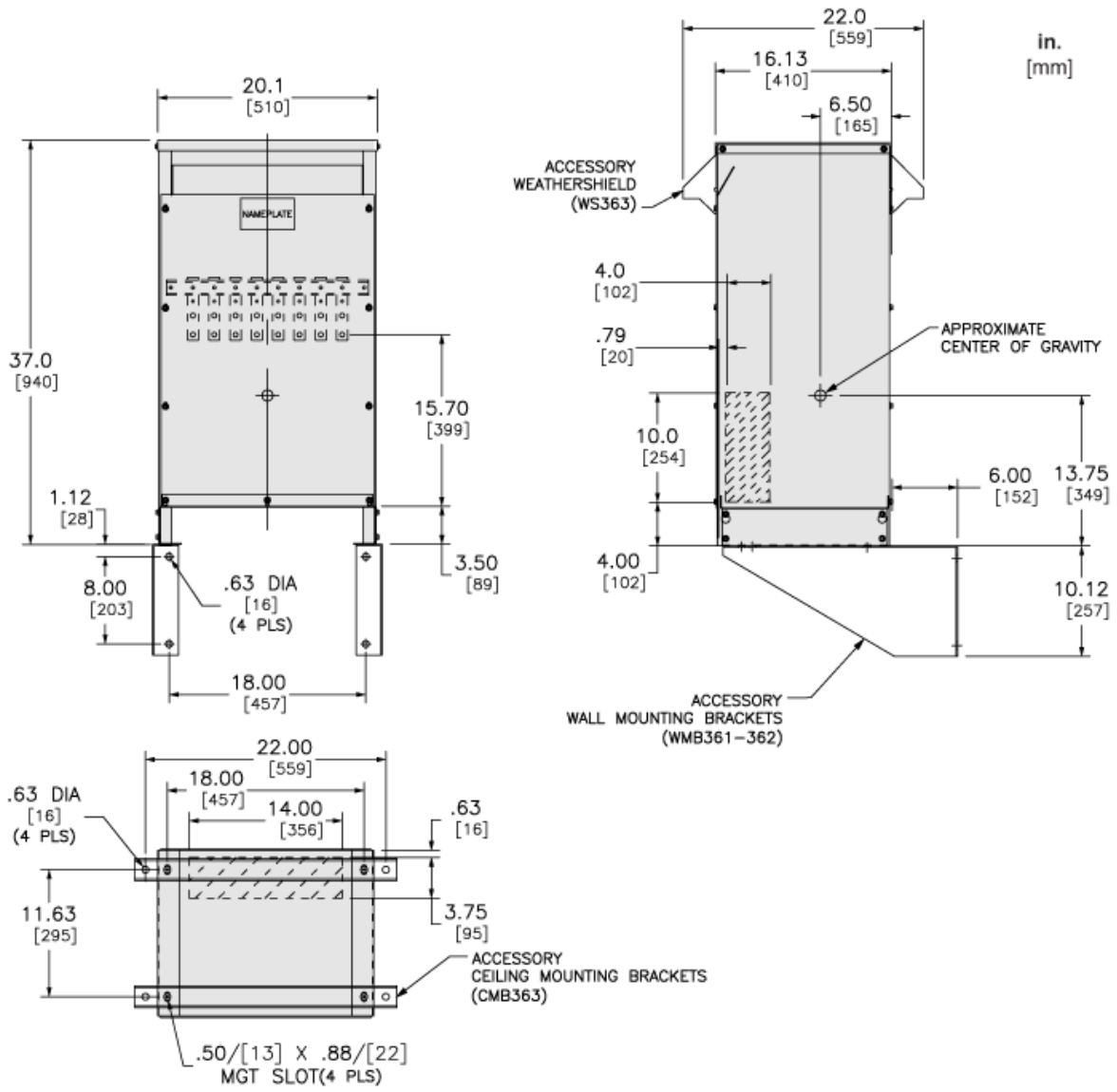
Offer Sustainability

Sustainable offer status	Green Premium product
California proposition 65	WARNING: This product can expose you to chemicals including: Phenyl Glycidyl Ether, which is known to the State of California to cause cancer and birth defects or other reproductive harm. For more information go to www.P65Warnings.ca.gov
REACH Regulation	REACH Declaration
REACH free of SVHC	Yes
EU RoHS Directive	Compliant EU RoHS Declaration
Toxic heavy metal free	Yes
Mercury free	Yes
China RoHS Regulation	China RoHS declaration Pro-active China RoHS declaration (out of China RoHS legal scope)
RoHS exemption information	Yes
Environmental Disclosure	Product Environmental Profile

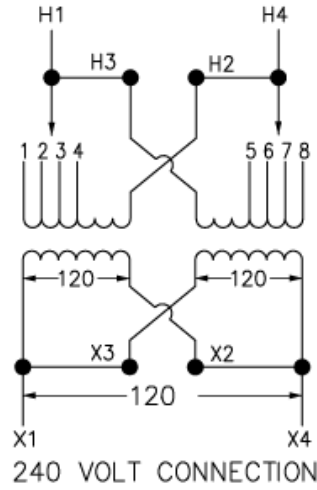
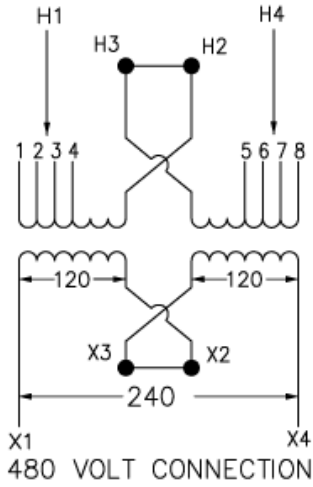
Contractual warranty

Warranty	18 months
----------	-----------

Approximate Dimensions



Connections and Wiring Diagrams



480 VOLT CONNECTION CONNECT H2 TO H3 CONNECT LINES TO H1 & H4	
PRIMARY VOLTS	CONNECT TO TAPS
504	1 AND 8
492	1 AND 7
480	2 AND 7
468	2 AND 6
456	3 AND 6
444	3 AND 5
432	4 AND 5

240 VOLT CONNECTION CONNECT H1 TO H3, H2 TO H4 CONNECT LINES TO H1 & H4	
PRIMARY VOLTS	CONNECT TO TAPS
252	1 AND 8
240	2 AND 7
228	3 AND 6
216	4 AND 5

Recommended replacement(s)