

Magnetic Circular Connector and Cable Assemblies

multicomp PRO

MP002495

Magnetic 5A 2 Contacts Rotating 360 Deg. Panel Solder

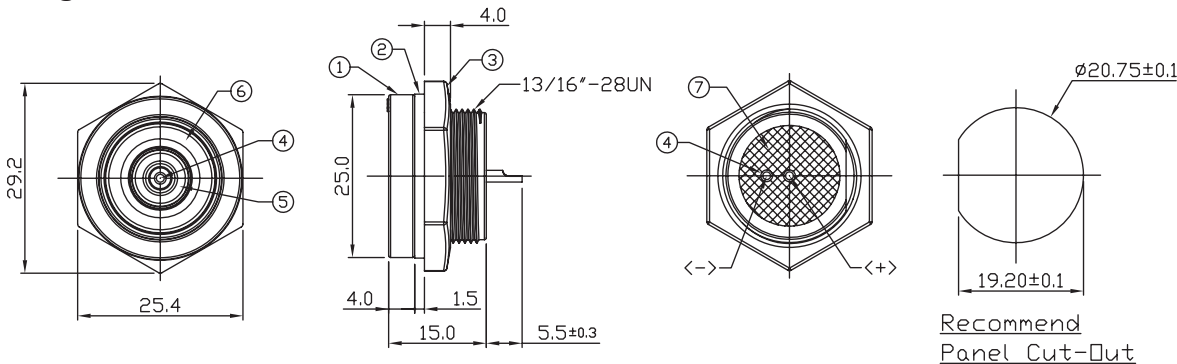
**RoHS
Compliant**



Specifications

IP Rating	: IP67
Recommend Panel Thickness	: 0.8mm to 4mm
Recommend Torque	: 14 to 15Kgf-cm
DWV	: 500Vrms
Rated Voltage	: 30V AC/DC
Insulation Resistance	: 100MΩ Min.

Diagram



Dimensions : Millimetres

No.	Part Name	Material/Finish	Qty.
1	Housing	Thermoplastic; Colour: Black	1
2	Contacts	Copper Alloy; Finish: Au Plated	3
3	Magnet	Nd-Fe-B N50; Finish: Ni	2
4	Cable	UL1185 18AWG×1C+Spiral; OD=3.5mm, Colour: Black	1
5	Inner Mold	Thermoplastic; Colour: White or Black	
6	Over Mold	PVC; Colour: Black	
7	Steel Sheet	SUS430	2
8	Wire	UL1007 18AWG; Colour: Black	1

multicomp PRO

Magnetic Circular Connector and Cable Assemblies

MP002496

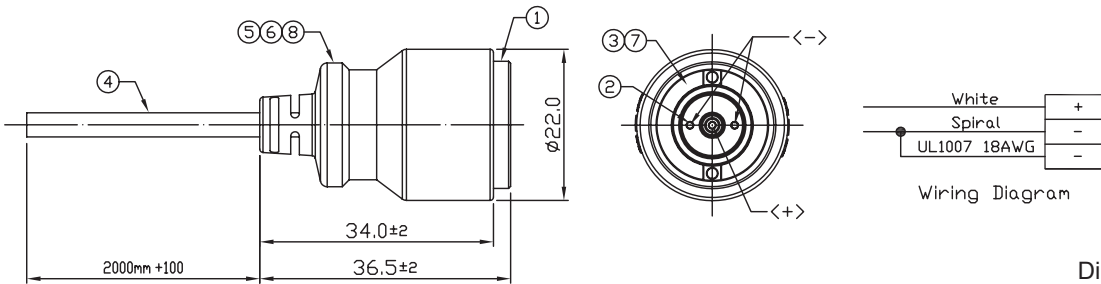
5A 2 Contacts Cable End with Cable



Specifications

DWV	: 500Vrms
Rated Voltage	: 30V AC/DC
Insulation Resistance	: 100MΩ Min.

Diagram



Dimensions : Millimetres

No.	Part Name	Material/Finish	Qty.
1	Housing	Thermoplastic; Colour: Black	1
2	Contacts	Copper Alloy; Finish: Au Plated	3
3	Magnet	Nd-Fe-B N50; Finish: Ni	2
4	Cable	UL1185 18AWG×1C+Spiral; OD=3.5mm, Colour: Black	1
5	Inner Mold	Thermoplastic; Colour: White or Black	
6	Over Mold	PVC; Colour: Black	
7	Steel Sheet	SUS430	2
8	Wire	UL1007 18AWG; Colour: Black	1

Magnetic Circular Connector and Cable Assemblies

multicomp PRO

MP002497

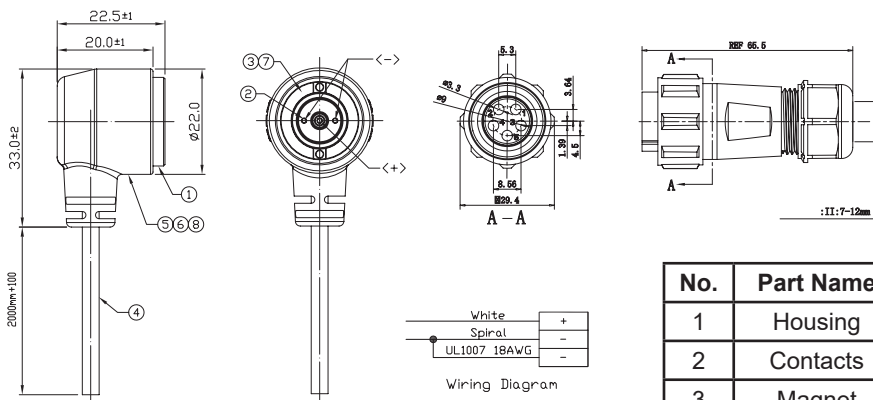
Magnetic 5A 2 Contacts rotating 360 Deg. Cable End 90 Deg. with Cable



Specifications

DVV	: 500Vrms
Rated Voltage	: 30V AC/DC
Insulation Resistance	: 100MΩ Min.

Diagram



No.	Part Name	Material/Finish	Qty.
1	Housing	Thermoplastic; Colour: Black	1
2	Contacts	Copper Alloy; Finish: Au Plated	3
3	Magnet	Nd-Fe-B N50; Finish: Ni	2
4	Cable	UL1185 18AWG×1C+Spiral; OD=3.5mm, Colour: Black	1
5	Inner Mold	Thermoplastic; Colour: White or Black	
6	Over Mold	PVC; Colour: Black	
7	Steel Sheet	SUS430	2
8	Wire	UL1007 18AWG; Colour: Black	1

Dimensions : Millimetres

Part Number Table

Description	Part Number
Magnetic Circular Connector, 2P, Panel Mount	MP002495
Magnetic Circular Cable Assembly, Straight Magnetic Circular 2P to Free End, Black, 2m	MP002496
Magnetic Circular Cable Assembly, Right Angle Magnetic Circular 2P to Free End, Black, 2m	MP002497
Magnetic Circular Cable Assembly to USB-A Plug, 2m	MP012103
Magnetic Circular Cable Assembly to USB-A Plug, 5m	MP012104
Magnetic Circular Cable Assembly to USB-A Plug, 2m	MP012105
Magnetic Circular Cable Assembly to USB-A Plug, 5m	MP012106

Important Notice : This data sheet and its contents (the "Information") belong to the members of the AVNET group of companies (the "Group") or are licensed to it. No licence is granted for the use of it other than for information purposes in connection with the products to which it relates. No licence of any intellectual property rights is granted. The Information is subject to change without notice and replaces all data sheets previously supplied. The Information supplied is believed to be accurate but the Group assumes no responsibility for its accuracy or completeness, any error in or omission from it or for any use made of it. Users of this data sheet should check for themselves the Information and the suitability of the products for their purpose and not make any assumptions based on information included or omitted. Liability for loss or damage resulting from any reliance on the Information or use of it (including liability resulting from negligence or where the Group was aware of the possibility of such loss or damage arising) is excluded. This will not operate to limit or restrict the Group's liability for death or personal injury resulting from its negligence. Multicomp Pro is the registered trademark of Premier Farnell Limited 2019.

Newark.com/multicomp-pro
Farnell.com/multicomp-pro
sg.element14.com/b/multicomp-pro

multicomp PRO