

**Description:** Direct Mount WiFi  
2400-2500/4900-6000MHz**Series:** DM WiFi**PART NUMBER:** W4169/W4169G

W4169G



W4169

**Features:**

- Dual Band Wifi:
  - 2400-2500MHz
  - 4900-6000MHz
- Gain 4/3.5 dBi
- Radiation pattern Omni
- Diameter 50 mm
- Height above mounting surface 22 mm
- Coaxial cable feed with U.FL connector
- IP67

**Applications:**

- WiFi, Bluetooth, BLE, ZigBee
- DSRC
- IoT, Metering, Vending
- Transportation

All dimensions are in mm / inches

Issue: 2241

In the effort to improve our products, we reserve the right to make changes judged to be necessary.

CONFIDENTIAL AND PROPRIETARY INFORMATION

This document contains confidential and proprietary information of Pulse Electronics, Inc. (Pulse) and is protected by copyright, trade secret and other state and federal laws. Its receipt or possession does not convey any rights to reproduce, disclose its contents, or to manufacture, use or sell anything it may describe. Reproduction, disclosure or use without specific written authorization of Pulse is strictly forbidden.

For more information:

Pulse Worldwide Headquarters  
15255 Innovation Drive #100  
San Diego, CA 92128  
USA  
Tel: 1-858-674-8100

Pulse/Larsen Antennas  
18110 SE 34<sup>th</sup> St Bldg 2 Suite 250  
Vancouver, WA 98683  
USA  
Tel: 1-360-944-7551

Europe Headquarters  
Pulse GmbH & Do, KG  
Zeppelinstrasse 15  
Herrenberg, Germany  
Tel: 49 7032 7806 0

Pulse (Suzhou) Wireless Products Co, Inc.  
99 Huo Ju Road(#29 Bldg,4<sup>th</sup> Phase  
Suzhou New District  
Jiangsu Province, Suzhou 215009 PR China  
Tel: 86 512 6807 9998



**Description:** Direct Mount WiFi  
2400-2500/4900-6000MHz**Series:** DM WiFi**PART NUMBER:** W4169/W4169G**ELECTRICAL SPECIFICATIONS**

Antenna Type	PCB , PIFA
Frequency	2.4-2.5GHz/4.9-6GHz
Nominal Impedance	50 Ω
VSWR	2.4-2.5GHz < 2 4.9-6GHz < 2
Radiation Pattern	Omni
Gain	2.4-2.5GHz 4dBi 4.9-6GHz 3.5dBi
Polarization	Vertical
Power Withstanding	1W

**MECHANICAL SPECIFICATIONS**

Overall Length	22.1*Φ50mm
Weight	60g
Antenna Color	W1469 Black W1469G Grey
Connector type	Equivalent of U.FL
Cable type	1.13mm
Cable length	304.8mm

**ENVIRONMENTAL SPECIFICATIONS**

Operating Temperature	-40-+85° C
Storage Temperature	-40-+85° C
Ingress Protection	IP67
RoHS Compliant	Yes

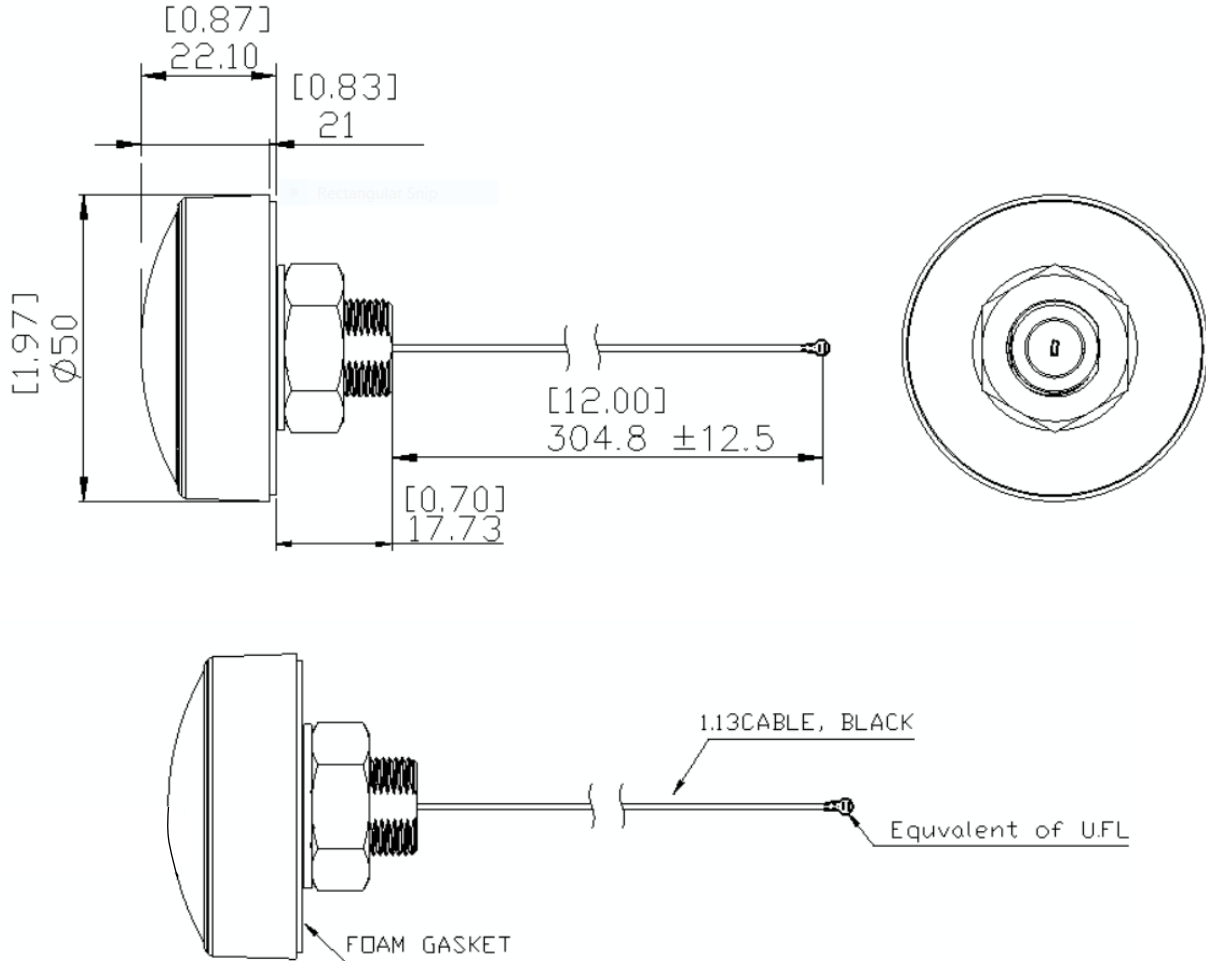
**All RF measurement data are tested on Ø=500mm ground plane**

**Description:** Direct Mount WiFi  
2400-2500/4900-6000MHz

**Series:** DM WiFi

**PART NUMBER:** W4169/W4169G

**MECHANICAL DRAWING**

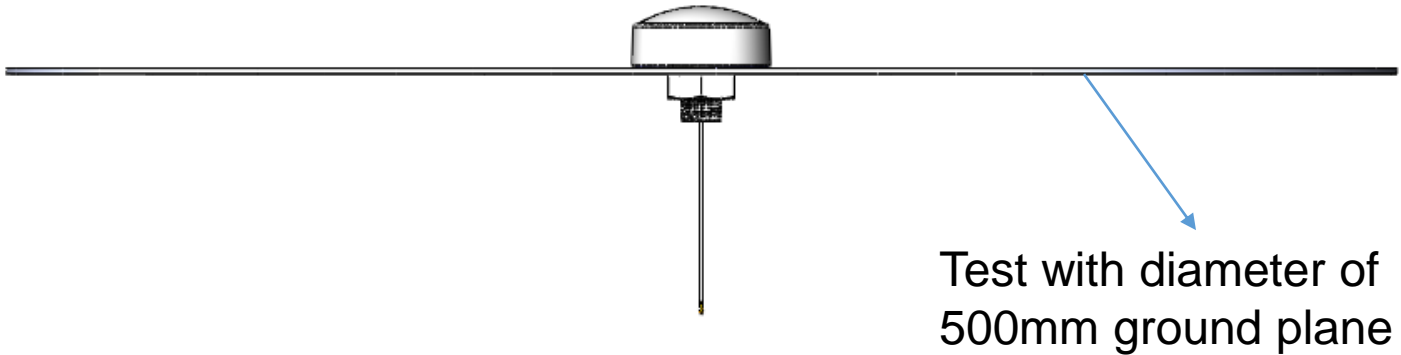


**Description:** Direct Mount WiFi  
2400-2500/4900-6000MHz

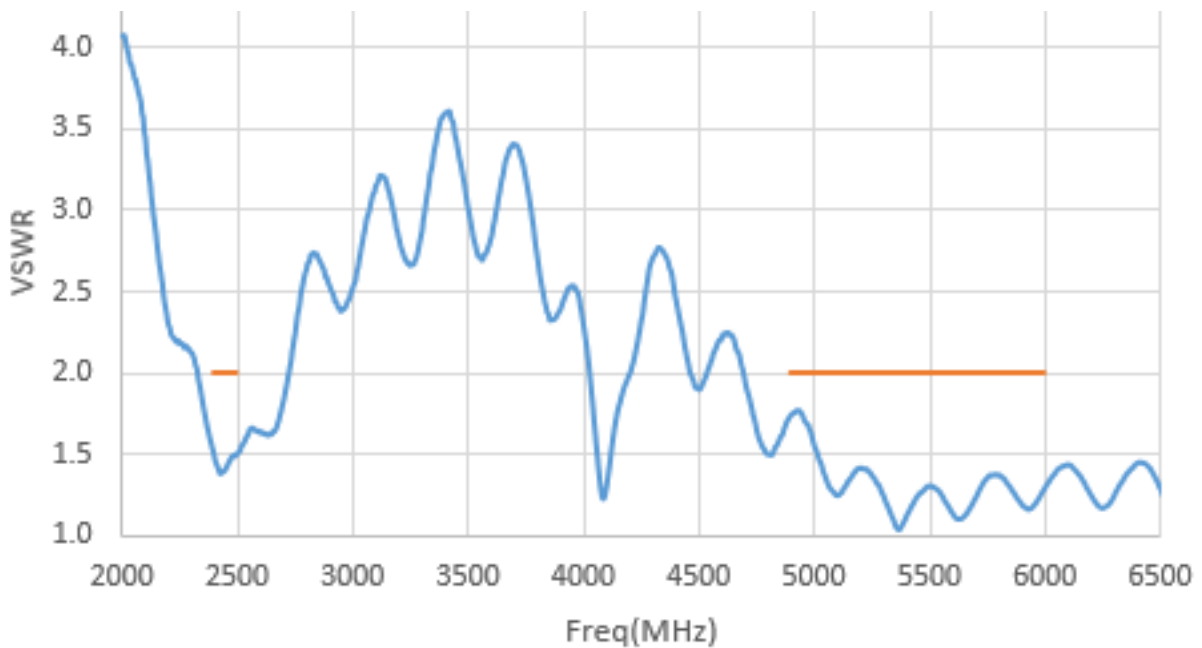
**Series:** DM WiFi

**PART NUMBER:** W4169/W4169G

### Test setup



### VSWR



Issue: 2241

In the effort to improve our products, we reserve the right to make changes judged to be necessary.

CONFIDENTIAL AND PROPRIETARY INFORMATION

This document contains confidential and proprietary information of Pulse Electronics, Inc. (Pulse) and is protected by copyright, trade secret and other state and federal laws. Its receipt or possession does not convey any rights to reproduce, disclose its contents, or to manufacture, use or sell anything it may describe. Reproduction, disclosure or use without specific written authorization of Pulse is strictly forbidden.

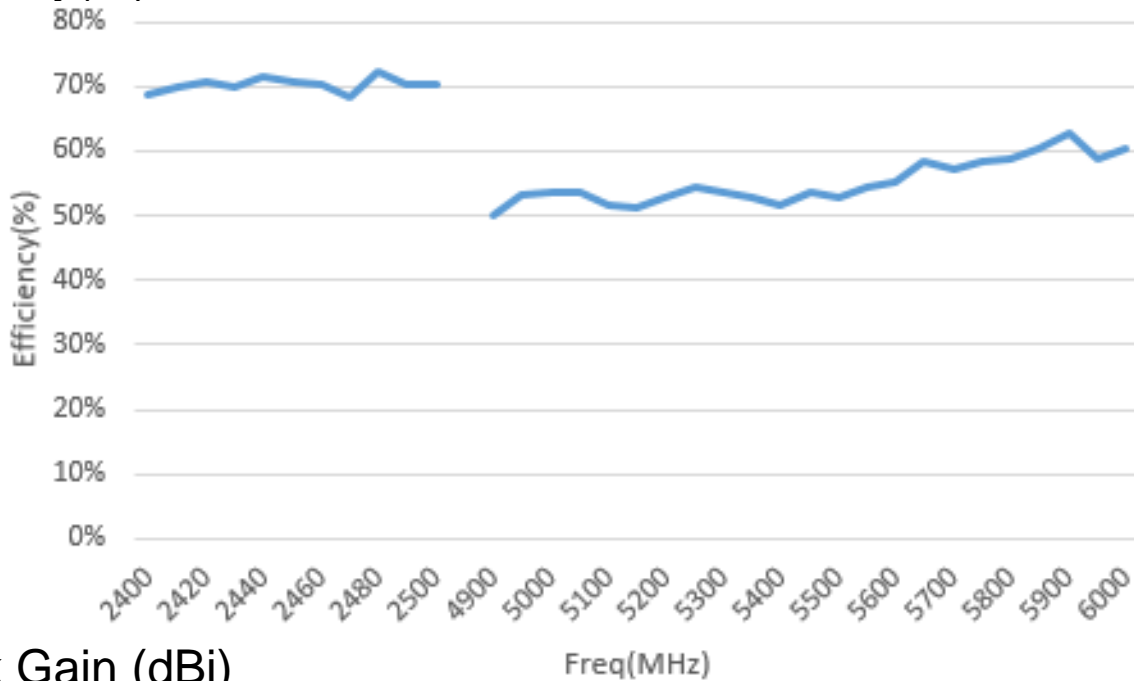
**Description:** Direct Mount WiFi  
2400-2500/4900-6000MHz

**Series:** DM WiFi

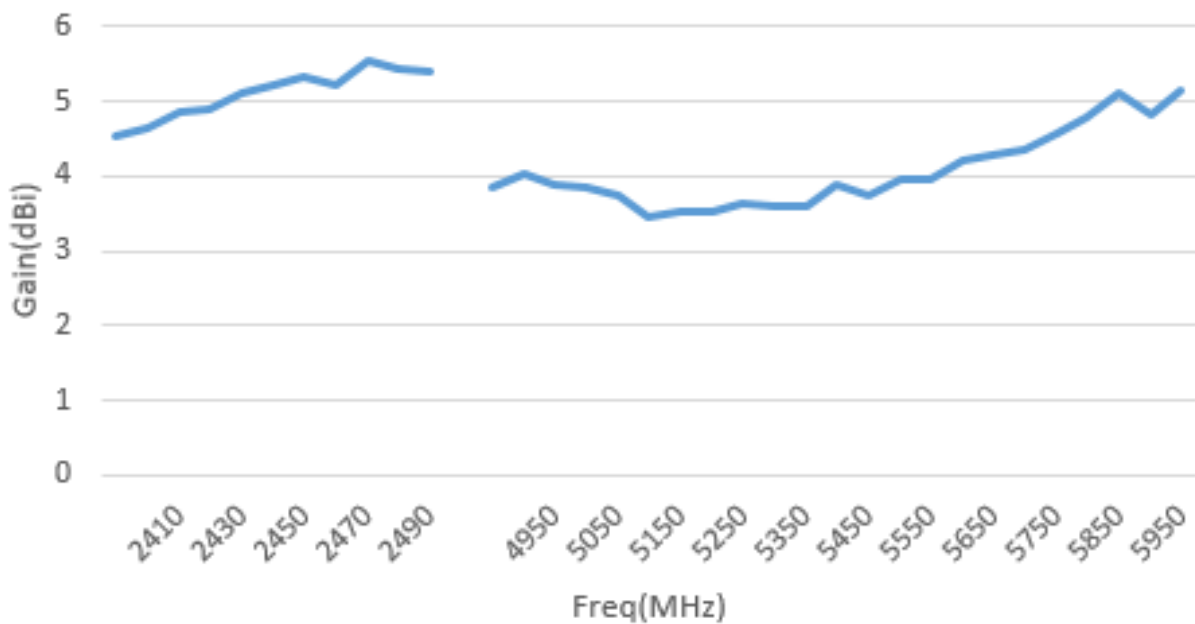
**PART NUMBER:** W4169/W4169G

## CHARTS

Efficiency(%)



Peak Gain (dBi)



Issue: 2241

In the effort to improve our products, we reserve the right to make changes judged to be necessary.

CONFIDENTIAL AND PROPRIETARY INFORMATION

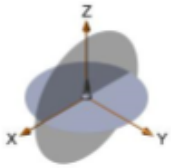
This document contains confidential and proprietary information of Pulse Electronics, Inc. (Pulse) and is protected by copyright, trade secret and other state and federal laws. Its receipt or possession does not convey any rights to reproduce, disclose its contents, or to manufacture, use or sell anything it may describe. Reproduction, disclosure or use without specific written authorization of Pulse is strictly forbidden.

## CHARTS

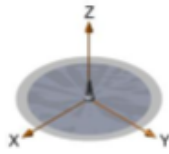
### Radiation Pattern

#### Elevation Plane

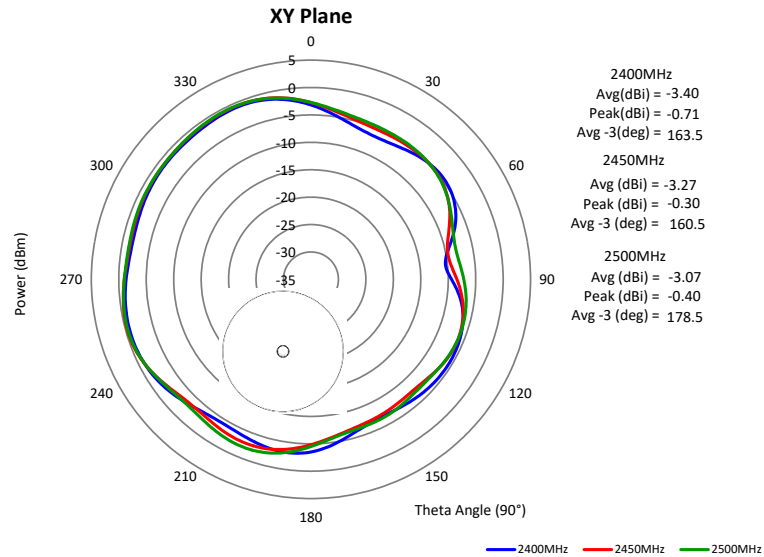
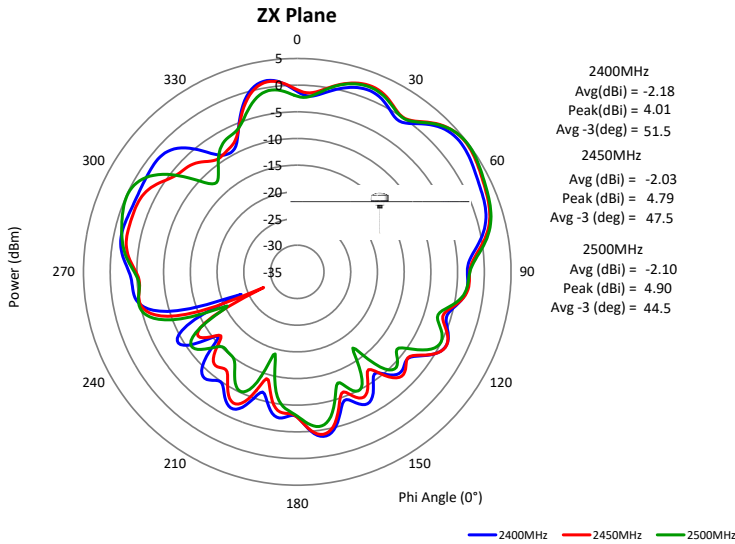
#### Horizontal Plane



#### XZ Plane



#### XY Plane

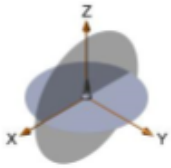


## CHARTS

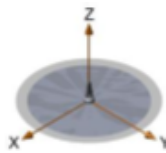
### Radiation Pattern

#### Elevation Plane

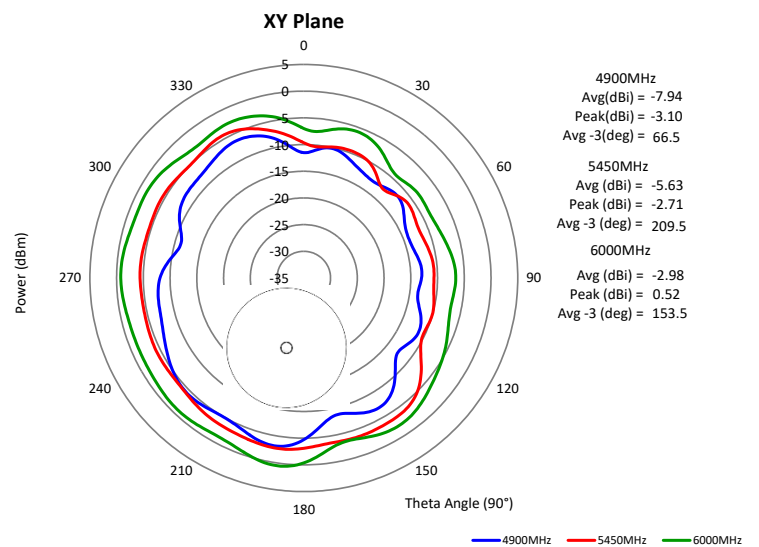
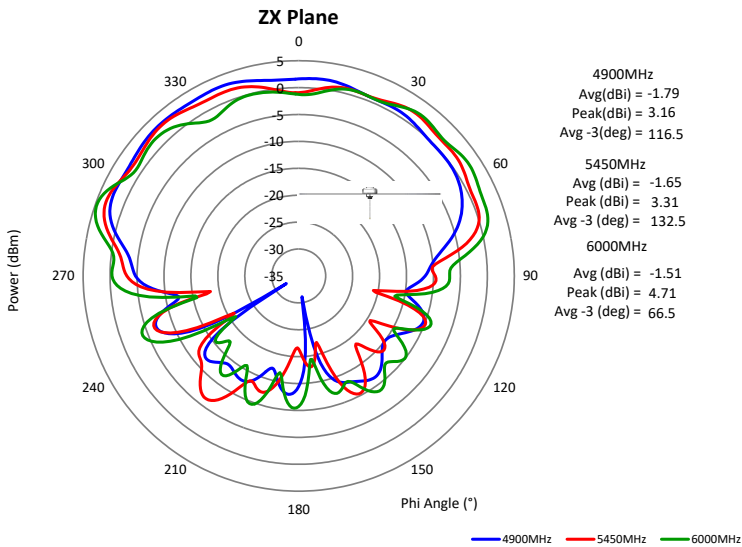
#### Horizontal Plane



#### XZ Plane



#### XY Plane



**Series: DM WiFi****Description:** Direct Mount WiFi  
2400-2500/4900-6000MHz**PART NUMBER: W4169/W4169G****PACKAGING**

1pcs antennas per PE bag

21pcs antennas per package box

Total 21pcs antenna per package box

Package box: 460mm\*235mm\*140mm