

RF Product Information

- RFDPA13303ASBTBA01 Series for 4G Application at 699 ~ 2690MHz

Application

- 699 ~ 2690MHz in Smart Home, Networking system and Smart Meter
- Device for external LTE system

Recommended Link Parts

- RFCON161202SA6B001(On Board RF Connector)
- RFCBA110609SA6B301(Connected To Module's Coaxial Cable)



ELECTRICAL CHARACTERISTICS

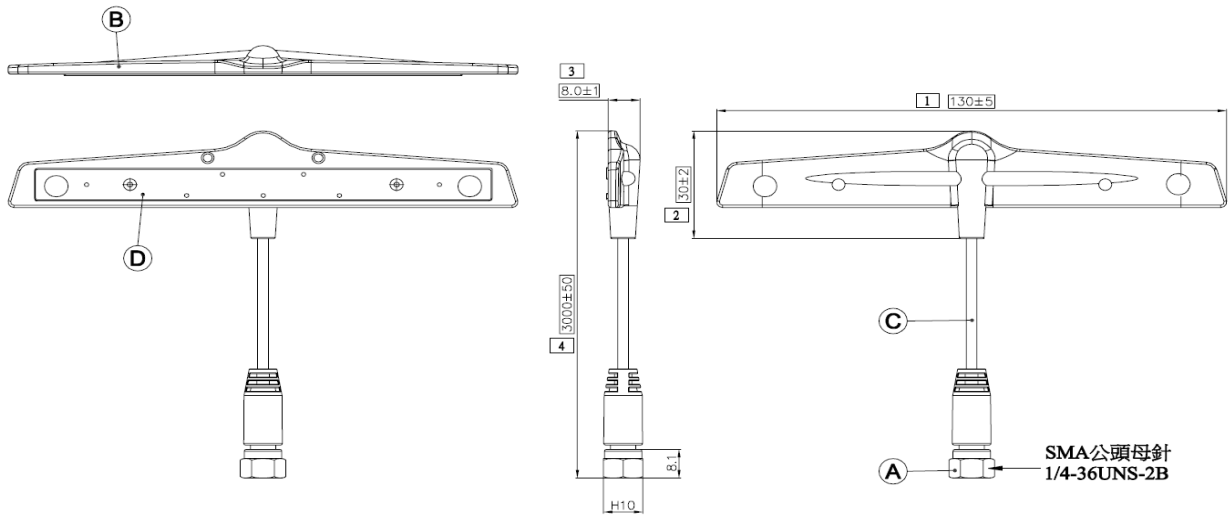
Item	Specification
Frequency Range	699 ~ 2690MHz
Impedance	50 Ohm Nominal
VSWR	3 Max.
Radiation	Omni-directional
Polarization	Linear

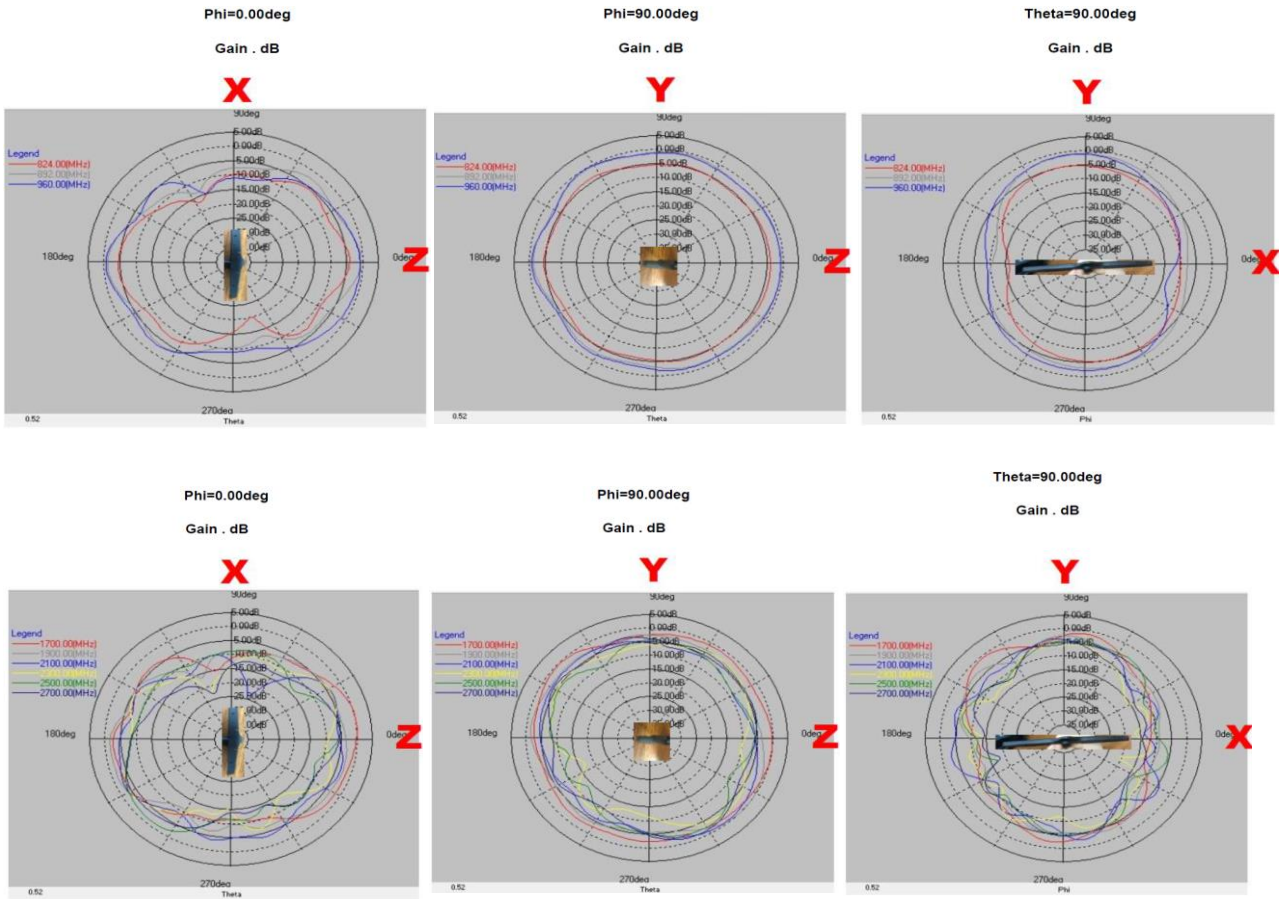
MATERIAL TABLE

Item	Description
Antenna Base	TPE(Black)
PCB	FR4
Connector	Reverse SMA Plug(Gold)
Cable	RG174 Cable;Black

ELECTRICAL

Frequency :
699/824~960/1710~2690MHz





INFORMATION

For more information, please contact with
[Walsin Technology Corporation](http://www.walsin.com)
 Tel : 886-3-475-8711
 Fax : 886-3-475-5197
 E mail : info@passivecomponent.com
 Web Site : http://www.passivecomponent.com