

RF Product Information

■RFMTA010504NNRB002 Series for UHF Application at 863 ~ 928 MHz

Application

- UHF 863 ~ 928 MHz in Smart Meter, Industrial Data Acquisition System and Door Control System
- Device for external UHF system



ELECTRICAL CHARACTERISTICS

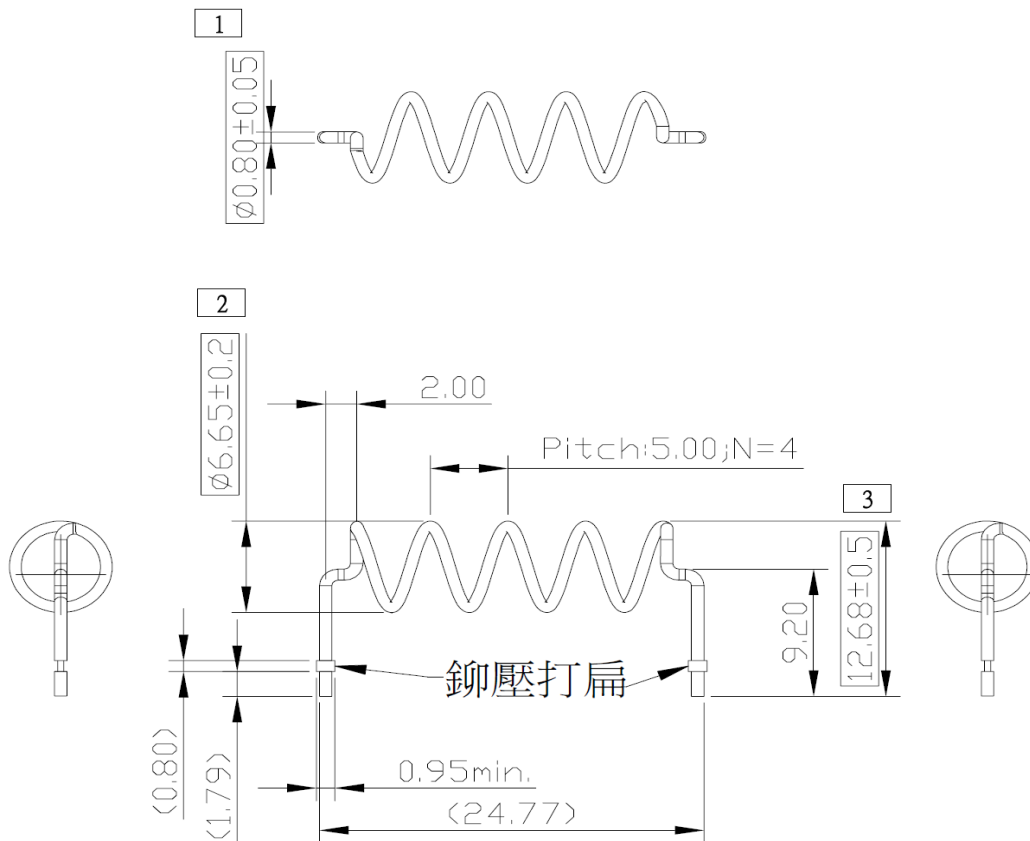
Item	Specification
Frequency Range	863 ~ 928 MHz
Impedance	50 Ohm Nominal
VSWR	1.5 Max.(@863 ~ 872 MHz) 2.0 Max.(@907 ~ 928 MHz)
Radiation	Omni-directional
Polarization	Linear Vertical
Admotted Power	1W

MATERIAL TABLE

Item	Description
Antenna	Phosphor Bronze

ELECTRICAL

Frequency : 863~928 MHz



INFORMATION

For more information, please contact with
[Walsin Technology Corporation](http://www.walsin.com)
 Tel : 886-3-475-8711
 Fax : 886-3-475-5197
[Walsin Technology Corporation](http://www.walsin.com)
 E mail : info@passivecomponent.com
 Web Site : http://www.passivecomponent.com