

RF Product Information

- RFDPA141300SBTB802 Series for 4G Application at 734 ~ 2170MHz

Application

- 734 ~ 2170MHz in Smart Home, Networking system and Conference system
- Device for external LTE system

Recommended Link Parts

- RFCON161202SA6B001(On Board RF Connector)
- RFCBA110609SA6B301(Connected To Module's Coaxial Cable)



ELECTRICAL CHARACTERISTICS

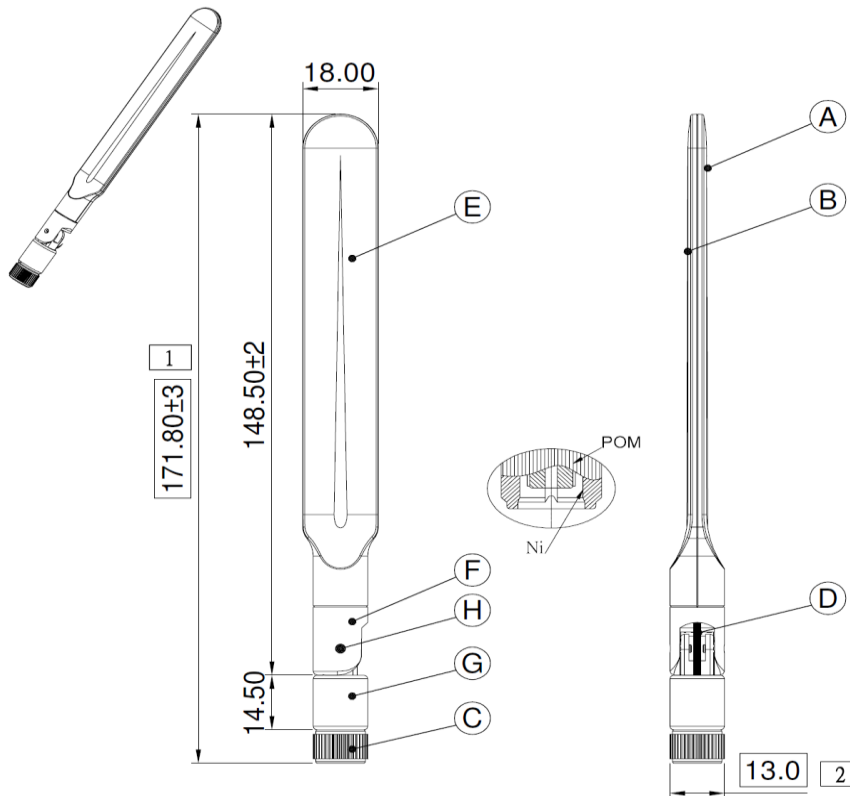
Item	Specification
Frequency Range	734 ~ 2170MHz
Impedance	50 Ohm Nominal
VSWR	2.5 Max.
Radiation	Omni-directional
Polarization	Linear Vertical
Admotted Power	1W

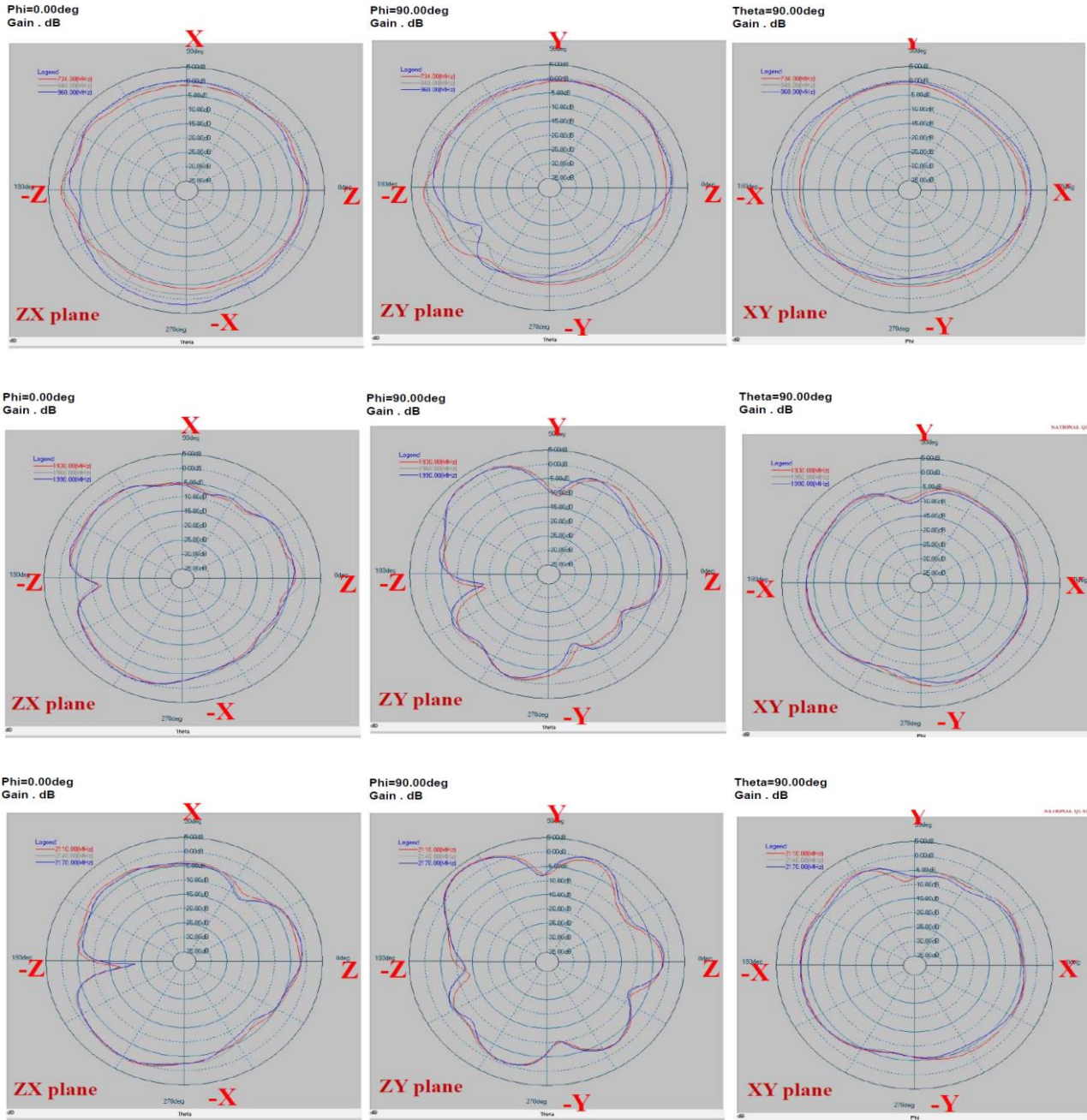
MATERIAL TABLE

Item	Description
Antenna Cover	ABS+PC(Black)
Antenna Up Base	PC(White)
Antenna Down Base	ABS+PC(Black)
Rivet	POM(Black)
PCB	FR4
Connector	Reverse SMA Plug(Black)
Cable	RG178 Cable;Brown

ELECTRICAL

Frequency:
734 - 960MHz/
1930 - 1995 MHz/
2110 - 2170 MHz.





INFORMATION

For more information, please contact with
[Walsin Technology Corporation](http://www.walsin.com)
 Tel : 886-3-475-8711
 Fax : 886-3-475-5197
 E mail : info@passivecomponent.com
 Web Site : http://www.passivecomponent.com