

RF Product Information

■RFMTA271200NNAB001 Series for WIFI Application at 2400 ~ 2500 MHz

Application

- WIFI 2400 ~ 2500 MHz in Smart Home, Networking System and Lighting Control System
- Device for external WIFI system



ELECTRICAL CHARACTERISTICS

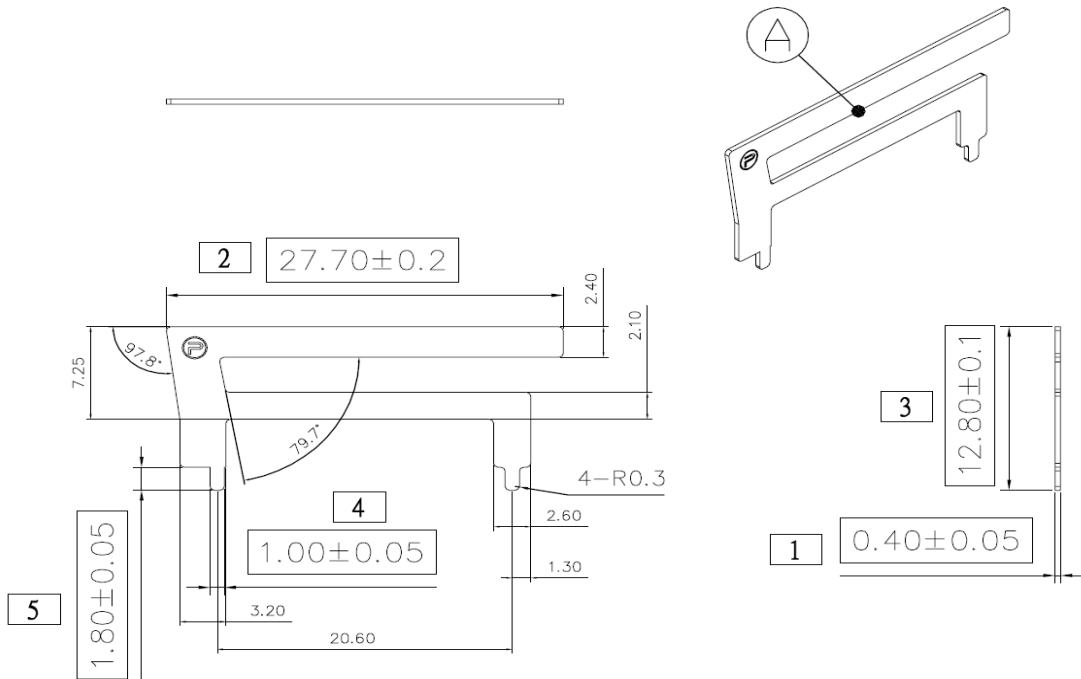
Item	Specification
Frequency Range	2400 ~ 2500 MHz
Impedance	50 Ohm Nominal
VSWR	2 Max.
Radiation	Omni-directional
Polarization	Linear Vertical
Admotted Power	1W

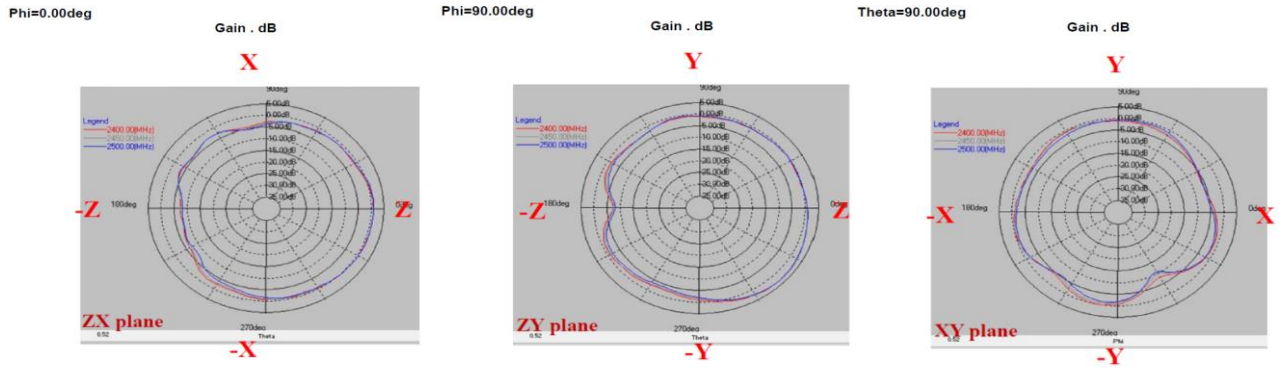
MATERIAL TABLE

Item	Description
Antenna	SUS430

ELECTRICAL

Frequency: 2.4 ~ 2.5 GHz





INFORMATION

For more information, please contact with
[Walsin Technology Corporation](http://www.walsin.com)
Tel : 886-3-475-8711
Fax : 886-3-475-5197
E mail : info@passivecomponent.com
Web Site : <http://www.passivecomponent.com>