



8755 W. Higgins Road
 Suite 500
 Chicago, Illinois USA 60631

Jun 2nd, 2023


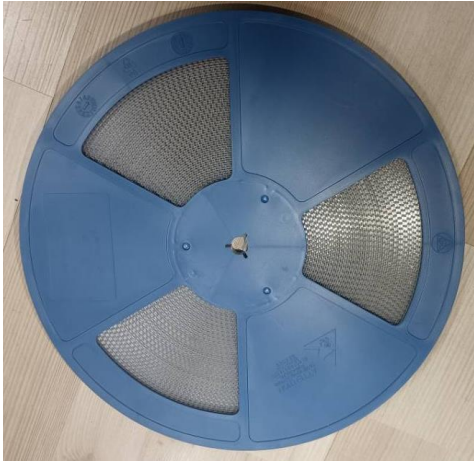
[Updated] PCN # ESW490-49 – Schottky Barrier Rectifier DSTxxx TO-277B Packing Product Reel Change

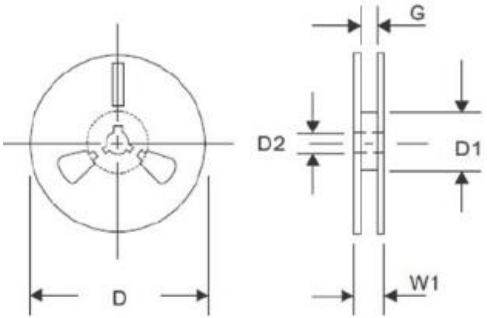
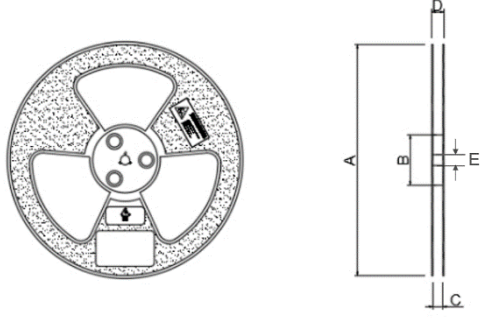
To our valued customers,

Littelfuse would like to notify you that we will replace Carboard reel with ESD plastic reel for Schottky Barrier Rectifier DSTxxx TO-277B packing Products.

Form, fit, function changes: Yes
Part number changes: N/A
Effective date: May 8th, 2023
Replacement products: N/A
Last time buy: N/A

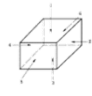
1.0 Physical Difference:

Type	Current	New
Appearance		
Material	Carboard	PS
Color	White Reel	Bule Reel

Type	Current	New																									
Size (mm)	 <table border="1" data-bbox="337 598 852 693"> <tr> <td>D</td> <td>D1</td> <td>D2</td> <td>G</td> <td>W1</td> </tr> <tr> <td>±0.3</td> <td>min</td> <td>±0.2</td> <td>min</td> <td>min</td> </tr> <tr> <td>330.0</td> <td>100</td> <td>13.00</td> <td>16.00</td> <td>20.00</td> </tr> </table>	D	D1	D2	G	W1	±0.3	min	±0.2	min	min	330.0	100	13.00	16.00	20.00	 <table border="1" data-bbox="901 598 1388 693"> <tr> <td>A</td> <td>B</td> <td>C</td> <td>D</td> <td>E</td> </tr> <tr> <td>330±5</td> <td>55±5</td> <td>14±1</td> <td>18±1</td> <td>13.5±0.5</td> </tr> </table>	A	B	C	D	E	330±5	55±5	14±1	18±1	13.5±0.5
D	D1	D2	G	W1																							
±0.3	min	±0.2	min	min																							
330.0	100	13.00	16.00	20.00																							
A	B	C	D	E																							
330±5	55±5	14±1	18±1	13.5±0.5																							

2.0 Reliability Test Results Summary:

2.1 Drop Test

Test Category	Step	Impact Surface	Sample Qty	Reference	Contents /Conditions	Result Summary	Diagram
Drop test	1	Corner (3-5-4, 3-4-6, 3-6-2,3-2-5)	10000	GB/T 2423.7	Weight<20 KG, Drop height:1m	No failure	
	2	Edge (3-5)					
	3	Edge (3-4)					
	4	Edge (3-6)					
	5	Edge (3-2)					
	6	Flat (Left)					
	7	Flat (Right)					
	8	Flat (Rear)					
	9	Flat (Front)					



2.2 Anti-Static Test

Test	Standard	1	2	3	4	5	6	7	8
Anti-Static	$10^5\sim 10^{11}\Omega$	10^8	10^8	10^8	10^8	10^8	10^8	10^8	10^8
Results		Pass	Pass	Pass	Pass	Pass	Pass	Pass	Pass

3.0 Changed Part Identification:

NA

4.0 Recommendations & Conclusions:

Based on the test results, it is determined that the new packing Reel is qualified and certified for Littelfuse DSTxxx TO-227B packaging Product Series.

This notification is for your information and acknowledgement. If you have any other questions or concerns, please contact your local sales team or Sophia Lv, Thyristor Product Manager.

We value your business and look forward to assisting you whenever possible. Thank you!

Best Regards,

Sophia Lv
Product Manager of Power Bipolar Discrete (Thyristor+Diode)
Semiconductor Business Unit, Wuxi, China
+86 510 85277701 - 7967
slv@littelfuse.com

Appendix --- Reel change table for Affected Products

DST10100S	DST1045S-T	DST1550S-T	DST560S-A
DST10100S-A	DST1050S	DST2050S	DST580S
DST10100S-T	DST1050S-A	DST2050S-T	DST580S-A
DST1040S	DST12100S	DST2080S	DST8100S
DST1040S-A	DST12100S-T	DST2080S-T	DST8100S-A
DST1040S-T	DST1545S	DST5100S	DST860S
DST1045S	DST1545S-T	DST5100S-A	DST860S-A
DST1045S-A	DST1550S	DST560S	