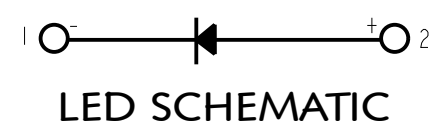
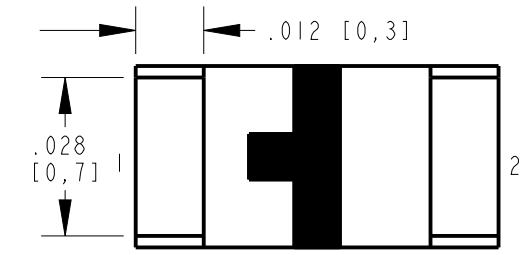
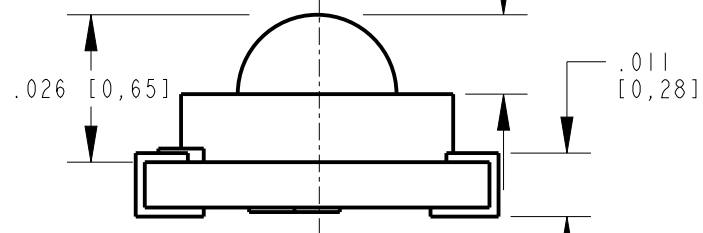
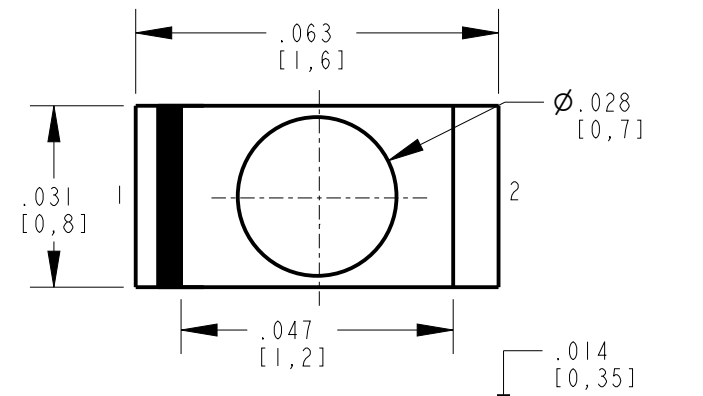


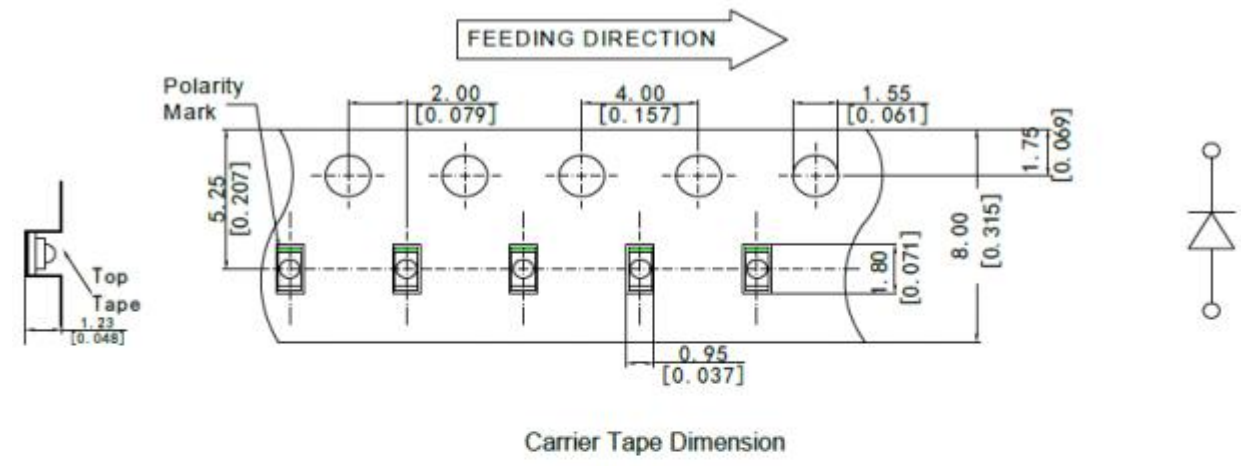
DIALIGHT PART NO.	LED COLOR
598-2E00-107F	WHITE (X=0.24, Y=0.21)
598-2E00-102F	

REV	ECN NO	REVISIONS	DRN	CKD	APP	DATE
A	106183	NEW RELEASE	JSG	CS	NO	31MAY23

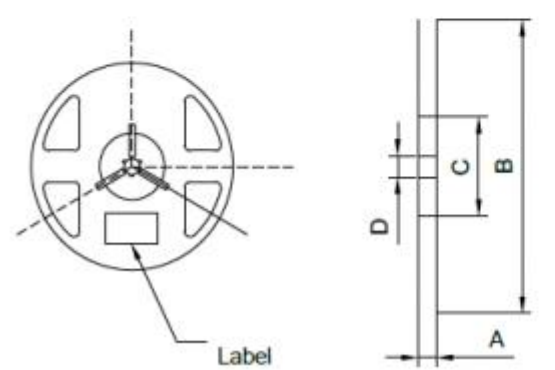
- NOTES:
- PIN NUMBERS ARE FOR REFERENCE ONLY, DESIGNATION NON-EXISTENT ON PART.
 - LABELING FOR REEL AND OUTSIDE OF ALUMINUM BAG, DIALIGHT P/N, QUANTITY PER REEL, DATE CODE, INTENSITY BIN CODE, LOT NUMBER AND COUNTRY OF ORIGIN.
 - THIS PRODUCT IS RoHS COMPLIANT. EACH BAG IS TO BE MARKED WITH RoHS COMPLIANT LABEL OR EQUIVALENT MARKINGS. LED MUST BE Pb FREE.
 - MOISTURE SENSITIVITY LEVEL 3.
 - QUANTITY : PART NUMBERS END WITH 107F REFER AS 3000 PCS/ REEL
PART NUMBERS END WITH 102F REFER AS 20 PCS/ STRIP



Carrier Tape Dimension



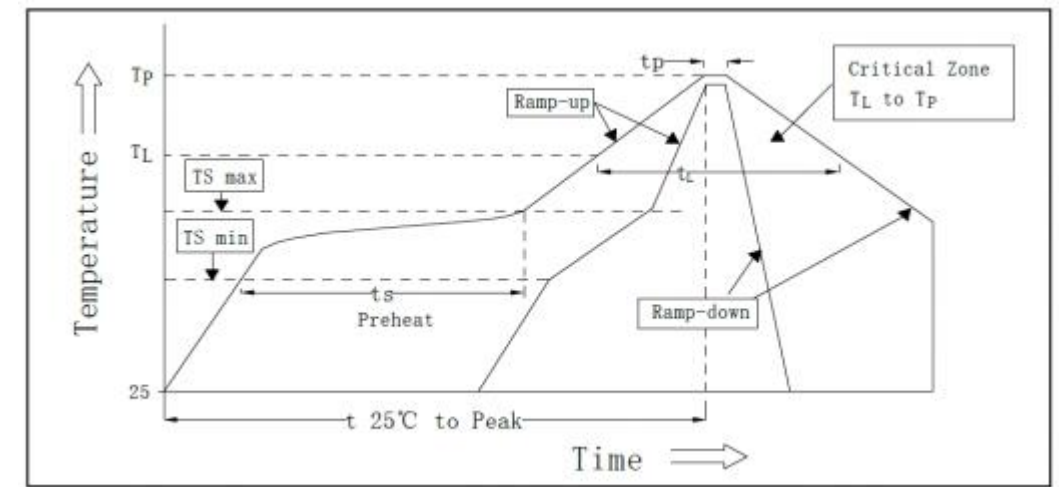
Reel Dimension



A	8.0±0.1mm
B	178±1mm
C	60±1mm
D	13.0±0.5mm

TOLERANCE (UNLESS OTHERWISE SPECIFIED): ±0.003(±0.1mm)

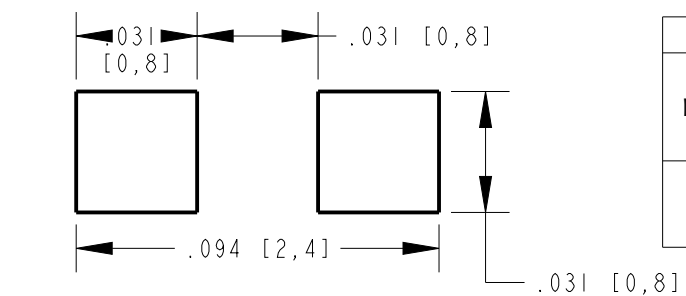
RECOMMENDED RoHS SOLDER PROFILE



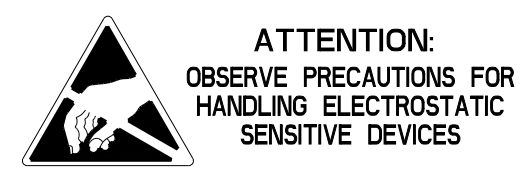
MARK	DEFINITION	CONDITION
T _{Smax}	MAXIMUM OF PRE-HEATING TEMPERATURE	200°C
T _{Smin}	MINIMUM OF PRE-HEATING TEMPERATURE	150°C
T _s	TIME FORM T _{Smin} To T _{Smax}	60s-120s
T _L	REFERENCE TEMPERATURE	217°C
t _L	RETENTION TIME FOR T _L	60s-150s
T _P	PEAK TEMPERATURE	260°C
t _P	TIME FOR PEAK TEMPERATURE	WITHIN 10s
DTr/Dt	TEMPERATURE RISING RATE	WITHIN 3°C/sec
DTd/Dt	TEMPERATURE DECREASING RATE	WITHIN 6°C/sec

ABSOLUTE MAXIMUM RATINGS AT 25°C							
LED COLOR	POWER DISSIPATION (mW)	FORWARD CURRENT (mA)	PEAK FORWARD CURRENT (mA)	OPERATING TEMPERATURE (°C)	STORAGE TEMPERATURE (°C)	DERATING CURVE FROM 25°C (mA/°C)	ELECTROSTATIC DISCHARGE (V)
WHITE	108	30	60 1/10 DUTY CYCLE, 0.1ms PULSE WIDTH	-40°C TO +85°C	-40°C TO +85°C	0.250	1000

OPERATING CHARACTERISTICS AT 25°C AMBIENT									
LED COLOR	TEST CONDITION (mA)	LUMINOUS INTENSITY (mcd)		FORWARD VOLTAGE (V)		CHROMATICITY COORDINATES	REVERSE CURRENT (uA)	VIEWING ANGLE (DEGREES)	THERMAL RESISTANCE (°C/W)
		TYP	MIN	MAX	MIN				
WHITE	20mA	350	800	2.8	3.6	*X=0.241 Y=0.212	10µA @ VR=5V	160	450



RECOMMENDED SOLDER PAD LAYOUT



THIS DRAWING AND THE CONTENTS HEREIN ARE CONFIDENTIAL AND THE SOLE PROPERTY OF DIALIGHT CORP. REPRODUCTION OF THIS DRAWING OR CONSTRUCTION OF ANY PARTS WITHIN THIS DRAWING ARE FORBIDDEN WITHOUT THE WRITTEN CONSENT OF DIALIGHT CORP.

DIALIGHT CORP. INTERNAL REFERENCE ONLY = 3D MODEL : 450052186223-.0

SCALE: 1.000
ALL DIM's: INCH (mm)

TOLERANCES: UNLESS OTHERWISE SPECIFIED
FRACTIONS: ±1/64
DECIMALS (.XX): ±.01
DECIMALS (.XXX): ±.005
DECIMALS (.XXXX): ±.0005
ANGLES: ±1°
FINISH: -

DRAWING NUMBER: C-18667
REV: A

TITLE: SM 0603 WHITE LED WITH DOME LENS

MATERIAL: -

Dialight
1501 ROUTE 34 SOUTH
FARMINGDALE, NJ 07727
(732) 919-3119
www.dialight.com

FSCM 83330
SHEET 1 OF 1 FAMILY TABLE:

*CALCULATED