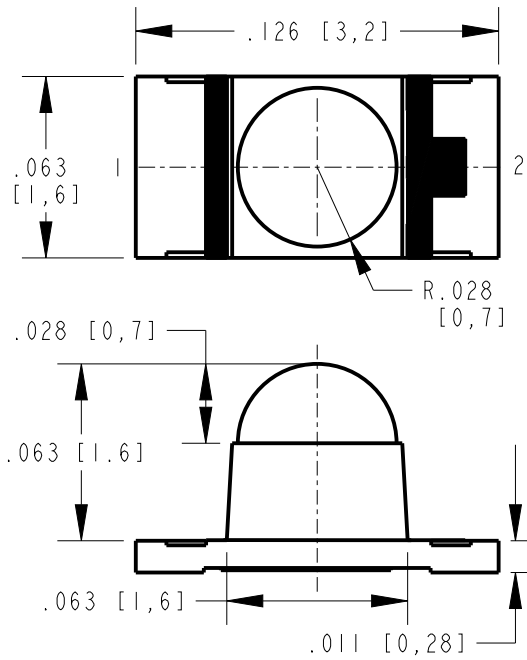


DIALIGHT PART NO.	LED COLOR
598-2M00-107F	WHITE
598-2M00-102F	(X=0.24, Y=0.21)

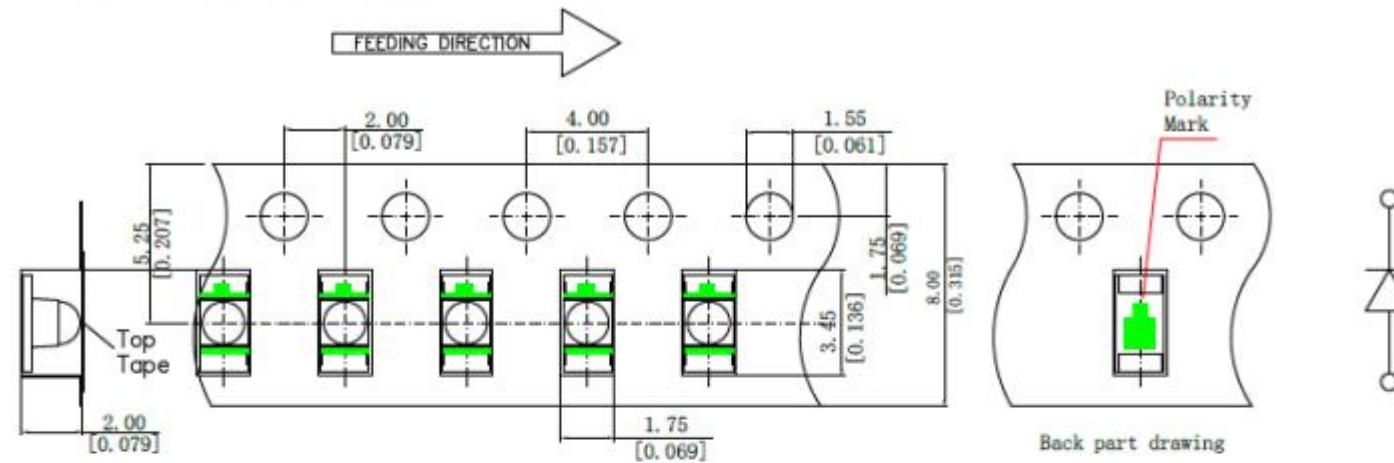
- NOTES:
- PIN NUMBERS ARE FOR REFERENCE ONLY, DESIGNATION NON-EXISTENT ON PART.
  - LABELING FOR REEL AND OUTSIDE OF ALUMINUM BAG, DIALIGHT P/N, QUANTITY PER REEL, DATE CODE, INTENSITY BIN CODE, LOT NUMBER AND COUNTRY OF ORIGIN.
  - THIS PRODUCT IS RoHS COMPLIANT. EACH BAG IS TO BE MARKED WITH RoHS COMPLIANT LABEL OR EQUIVALENT MARKINGS. LED MUST BE Pb FREE.
  - MOISTURE SENSITIVITY LEVEL 3.
  - QUANTITY : PART NUMBERS END WITH 107F REFER AS 2000 PCS/ REEL  
PART NUMBERS END WITH 102F REFER AS 20 PCS/ STRIP

REV	ECN NO	REVISIONS	DRN	CKD	APP	DATE
A	106183	NEW RELEASE	JSG	CS	NO	31MAY23

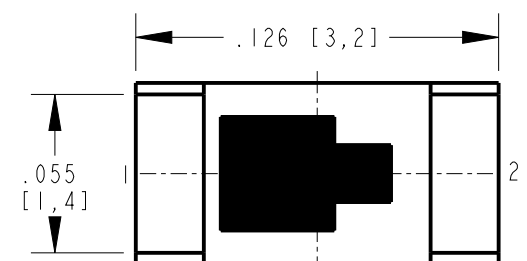
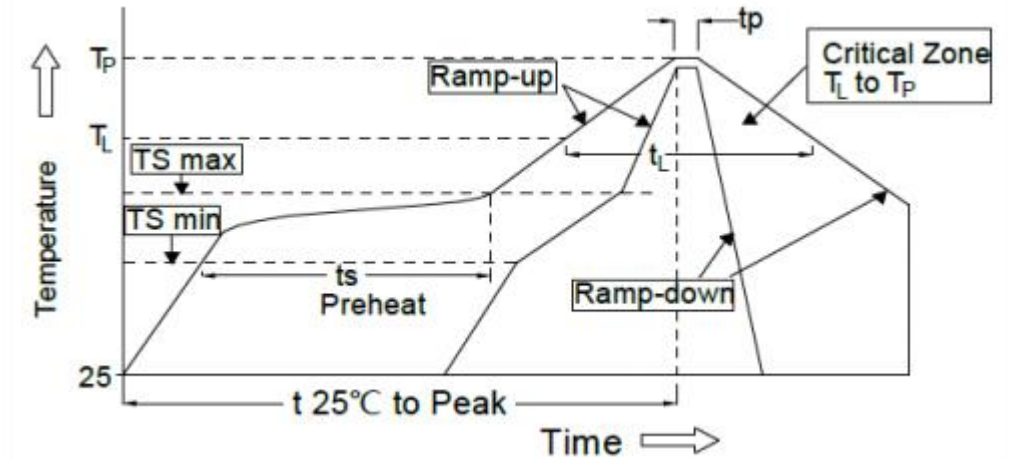


**Carrier Tape Dimension**

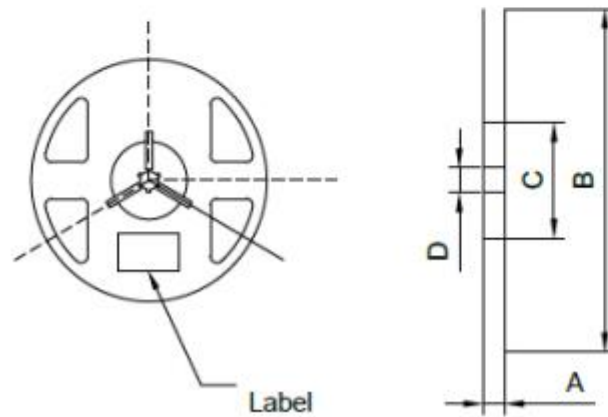
**TAPING SPECIFICATIONS**



**RECOMMENDED RoHS SOLDER PROFILE**

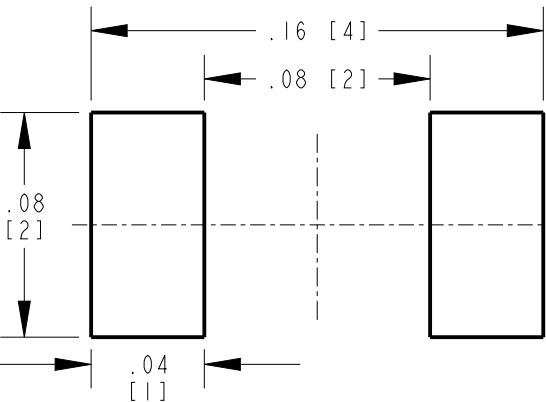
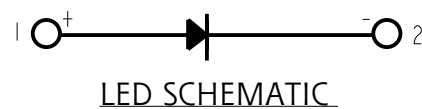


**Reel Dimension**



A	8.0±0.1mm
B	178±1mm
C	60±1mm
D	13.0±0.5mm

MARK	DEFINITION	CONDITION
$T_{S_{max}}$	MAXIMUM OF PRE-HEATING TEMPERATURE	200°C
$T_{S_{min}}$	MINIMUM OF PRE-HEATING TEMPERATURE	150°C
$T_s$	TIME FORM $T_{smin}$ To $T_{smax}$	60s-120s
$T_L$	REFERENCE TEMPERATURE	217°C
$t_L$	RETENTION TIME FOR $T_L$	60s-150s
$T_p$	PEAK TEMPERATURE	260°C
$t_p$	TIME FOR PEAK TEMPERATURE	WITHIN 10s
$DTr/Dt$	TEMPERATURE RISING RATE	WITHIN 3°C/sec
$DTd/Dt$	TEMPERATURE DECREASING RATE	WITHIN 6°C/sec



**RECOMMENDED SOLDER PAD LAYOUT**

ABSOLUTE MAXIMUM RATINGS AT 25°C							
LED COLOR	POWER DISSIPATION (mW)	FORWARD CURRENT (mA)	PEAK FORWARD CURRENT (mA)	OPERATING TEMPERATURE (°C)	STORAGE TEMPERATURE (°C)	DERATING CURVE FROM 25°C (mA/°C)	ELECTROSTATIC DISCHARGE (V)
WHITE	108	30	60	-40°C TO +85°C	-40°C TO +85°C	0.417	1000

OPERATING CHARACTERISTICS AT 25°C AMBIENT										
LED COLOR	TEST CONDITION (mA)	LUMINOUS INTENSITY (mcd)		FORWARD VOLTAGE (V)		CHROMATICITY COORDINATES (CALCULATED)	REVERSE CURRENT (uA)	VIEWING ANGLE (DEGREES)	THERMAL RESISTANCE °C/W	
		MIN	MAX	MIN	MAX				TYP	MAX
WHITE	20mA	280	650	2.8	3.6	X=0.287 Y=0.286	10µA @ VR=5V/10ms	140	450	



**ATTENTION:**  
OBSERVE PRECAUTIONS FOR  
HANDLING ELECTROSTATIC  
SENSITIVE DEVICES

THIS DRAWING AND THE CONTENTS HEREIN ARE CONFIDENTIAL AND THE SOLE PROPERTY OF DIALIGHT CORP. REPRODUCTION OF THIS DRAWING OR CONSTRUCTION OF ANY PARTS WITHIN THIS DRAWING ARE FORBIDDEN WITHOUT THE WRITTEN CONSENT OF DIALIGHT CORP.		
DIALIGHT CORP INTERNAL REFERENCE ONLY = 3D MODEL : 4500521863023-...		
SCALE: 21.000	DRAWING NUMBER	REV
ALL DIM's: INCH (mm)	C-18671	A
TOLERANCES: UNLESS OTHERWISE SPECIFIED	TITLE	
FRACTIONS: ±1/64	1206 SM LED WITH DOME LENS	
DECIMALS (.XX): ±.01	MATERIAL	
DECIMALS (.XXX): ±.005	FINISH	
DECIMALS (.XXXX): ±.0005	Dialight	
ANGLES: ±1°	1501 ROUTE 34 SOUTH FARMINGDALE, NJ 07727 (732) 919-3119 www.dialight.com	
FSCM 83330	SHEET 1 OF 1	FAMILY TABLE: