

# Product datasheet

Specifications



## advanced touchscreen panel 320 x 240 pixels QVGA- 5.7" TFT - 64 MB

HMIGTO2300

### Main

Range of product	Harmony GTO
Product or component type	Advanced touchscreen panel
Display colour	65536 colours
Display size	5.7 inch
Supply	External source
Operating system	Harmony
Battery type	Lithium battery for internal RAM, autonomy: 100 days, charging time = 5 day(s), battery life = 10 year(s)

### Complementary

Terminal type	Touchscreen display
Display type	Backlit colour TFT LCD
Display resolution	320 x 240 pixels QVGA
Touch sensitive zone	1024 x 1024
Touch panel	Resistive film, 1000000 cycles
Backlight lifespan	50000 hours white at 25 °C
Brightness	16 levels - control by touch panel 16 levels - control by software
Character font	Chinese (simplified Chinese) Korean ASCII (European characters) Japanese (ANK, Kanji) Taiwanese (traditional Chinese)
[Us] rated supply voltage	24 V DC
Supply voltage limits	19.2...28.8 V
Inrush current	30 A
Maximum power consumption in W	6.5 W when power is not supplied to external devices 4.5 W when backlight is OFF 5 W when backlight is dimmed 10.5 W
Local signalling	Status LED green, steady for offline Status LED green, steady for operating Status LED orange, flashing for software starting up Status LED red, steady for power supply (ON) Status LED clear, faded for power supply (OFF) COM2 LED yellow, steady for data is being transmitted COM2 LED yellow, faded for no data transmission SD card LED green, steady for card is inserted SD card LED green, faded for card is not inserted or is not being accessed

<b>Software designation</b>	Vijeo Designer configuration software >= V6.1
<b>Memory description</b>	Flash EPROM, 64 MB
<b>Data backed up</b>	128 kB internal RAM (SRAM)
<b>Downloadable protocols</b>	Schneider Electric Modicon Modbus Schneider Electric Modicon Uni-TE Schneider Electric Modicon Modbus Plus Schneider Electric Modicon FIPWAY Mitsubishi Melsec third party protocols Omron Sysmac third party protocols Rockwell Automation Allen-Bradley third party protocols Siemens Simatic third party protocols
<b>Integrated connection type</b>	COM1 serial link SUB-D 9, interface: RS232C, transmission rate: 2400...115200 bps COM2 serial link RJ45, interface: RS485, transmission rate: 2400...115200 bps COM2 serial link RJ45, interface: RS485, transmission rate: 187.5 kbps compatible with Siemens MPI USB 2.0 type A USB 2.0 type mini B
<b>Product mounting</b>	Flush mounting
<b>Fixing mode</b>	By 4 screw clamps
<b>Front material</b>	PPT
<b>Enclosure material</b>	PPT
<b>Type of cooling</b>	Natural convection
<b>Width</b>	169.5 mm
<b>Height</b>	137 mm
<b>Depth</b>	59.5 mm
<b>Product weight</b>	0.8 kg

## Environment

<b>Standards</b>	IEC 61000-6-2 UL 508 EN 61131-2
<b>Product certifications</b>	KCC CE cULus C-Tick UKCA UKEX
<b>Ambient air temperature for operation</b>	0...50 °C
<b>Ambient air temperature for storage</b>	-20...60 °C
<b>Relative humidity</b>	10...90 % without condensation
<b>Operating altitude</b>	< 2000 m
<b>IP degree of protection</b>	IP20 (rear panel) conforming to IEC 60529 IP65 (front panel) conforming to IEC 60529
<b>NEMA degree of protection</b>	NEMA 4X front panel (indoor use)
<b>Shock resistance</b>	147 m/s <sup>2</sup> 3 chocks in each direction X, Y and Z conforming to EN/IEC 61131-2
<b>Vibration resistance</b>	3.5 mm (f = 5...9 Hz) - X, Y, Z directions for 10 cycles (approx. 100 min) - conforming to EN/IEC 61131-2 1 gn (f = 9...150 Hz) - X, Y, Z directions for 10 cycles (approx. 100 min) - conforming to EN/IEC 61131-2
<b>Resistance to electrostatic discharge</b>	6 kV contact discharge conforming to IEC 61000-4-2 level 3

## Packing Units

<b>Unit Type of Package 1</b>	PCE
<b>Number of Units in Package 1</b>	1
<b>Package 1 Height</b>	14.500 cm

Package 1 Width	18.500 cm
Package 1 Length	24.000 cm
Package 1 Weight	1.075 kg
Unit Type of Package 2	S03
Number of Units in Package 2	4
Package 2 Height	30.000 cm
Package 2 Width	30.000 cm
Package 2 Length	40.000 cm
Package 2 Weight	5.157 kg
Unit Type of Package 3	P12
Number of Units in Package 3	64
Package 3 Height	75.000 cm
Package 3 Width	80.000 cm
Package 3 Length	120.000 cm
Package 3 Weight	93.657 kg

## Offer Sustainability

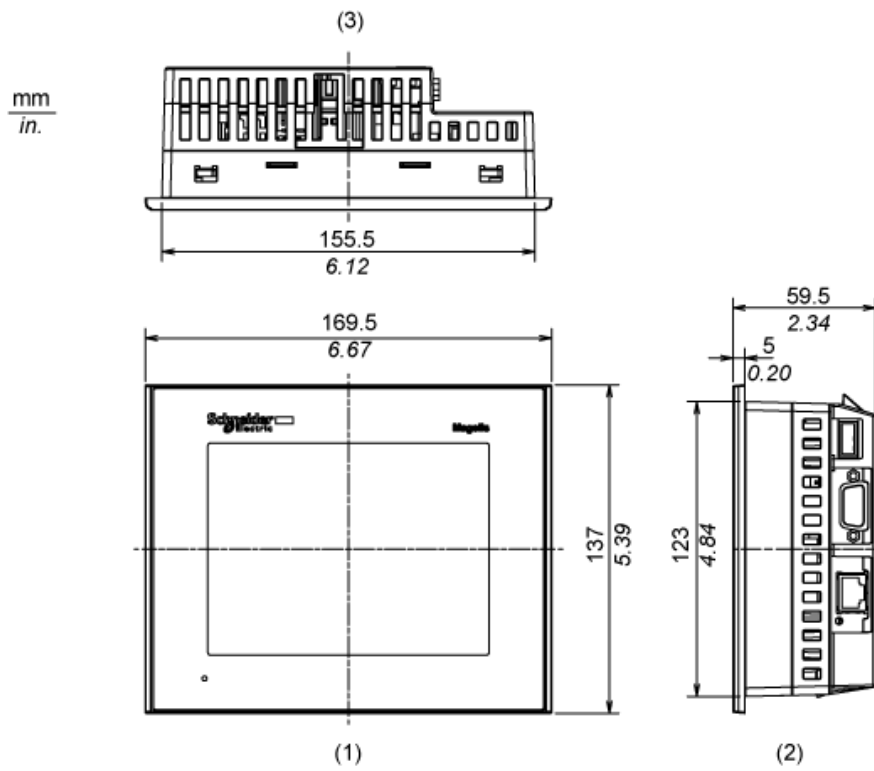
Sustainable offer status	Green Premium product
REACH Regulation	<a href="#">REACH Declaration</a>
EU RoHS Directive	Pro-active compliance (Product out of EU RoHS legal scope) <a href="#">EU RoHS Declaration</a>
Mercury free	Yes
China RoHS Regulation	<a href="#">China RoHS declaration</a>
RoHS exemption information	<a href="#">Yes</a>
WEEE	The product must be disposed on European Union markets following specific waste collection and never end up in rubbish bins

## Contractual warranty

Warranty	18 months
----------	-----------

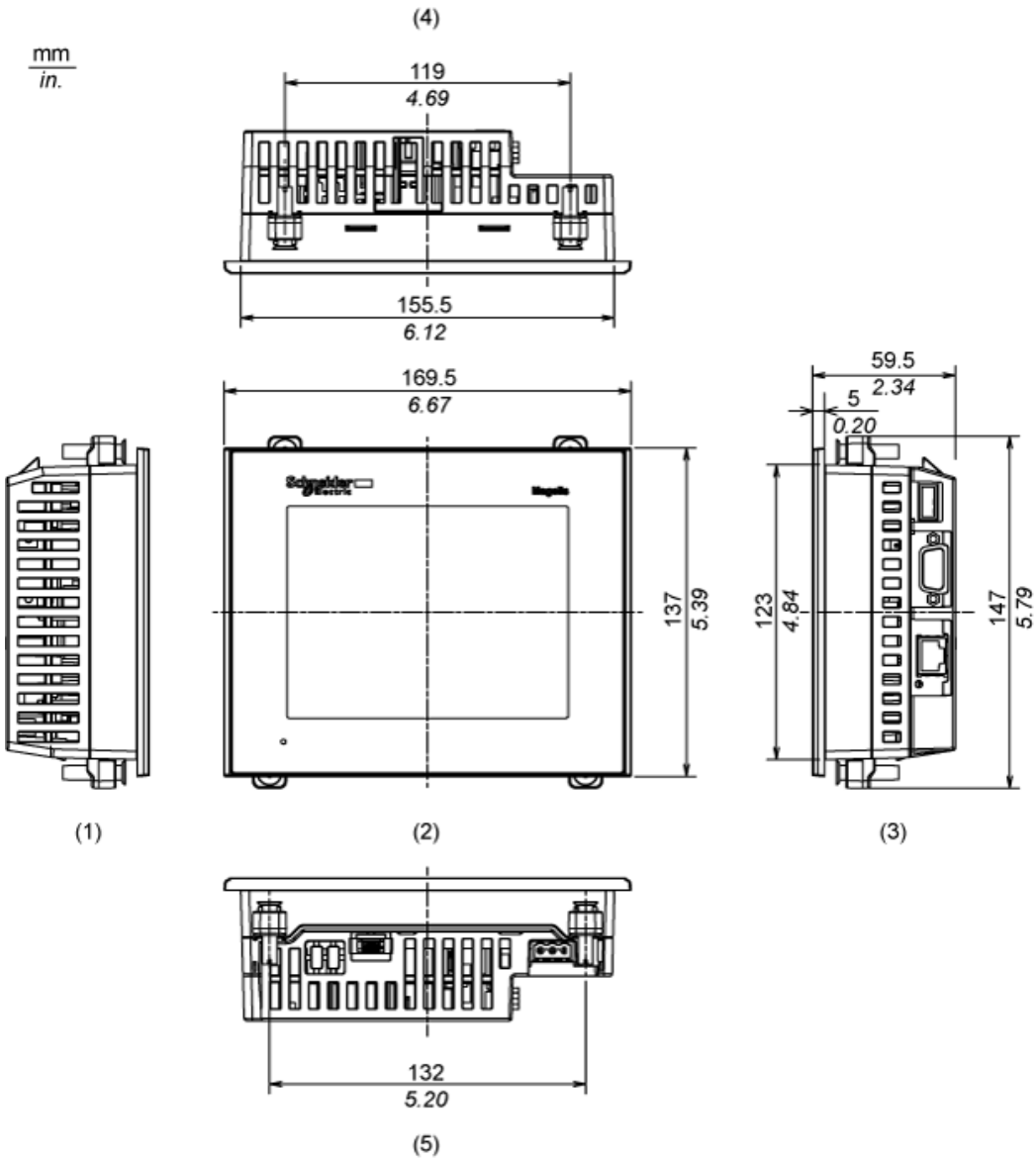
**Dimensions**

**External Dimensions**



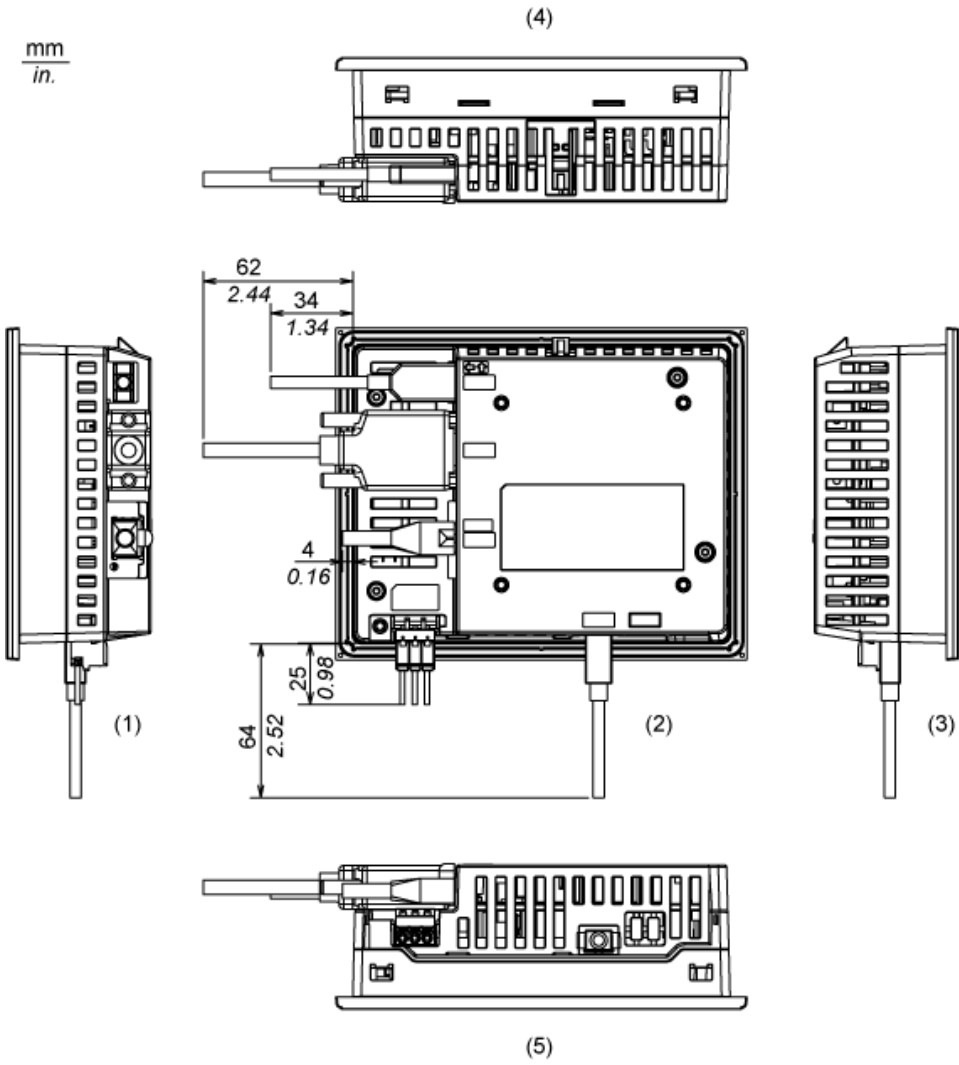
- 1 Front
- 2 Right Side
- 3 Top

# Installation with Installation Fasteners



- 1 Left Side
- 2 Front
- 3 Right Side
- 4 Top
- 5 Bottom

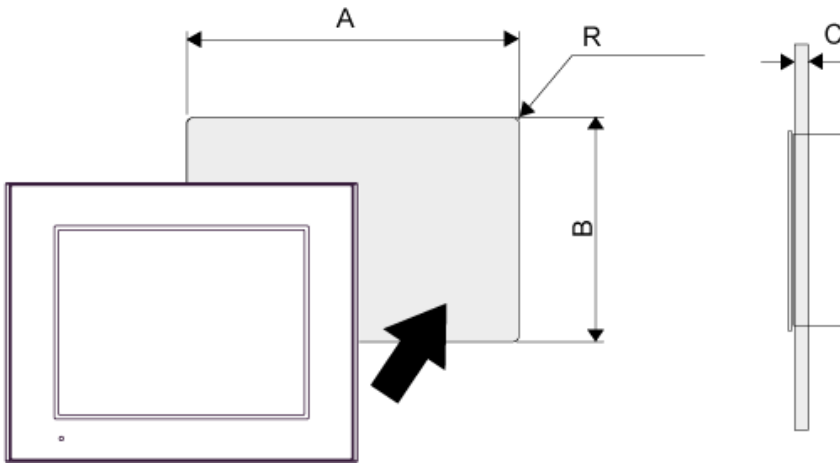
Dimensions with Cables



- 1 Left Side
- 2 Rear
- 3 Right Side
- 4 Top
- 5 Bottom

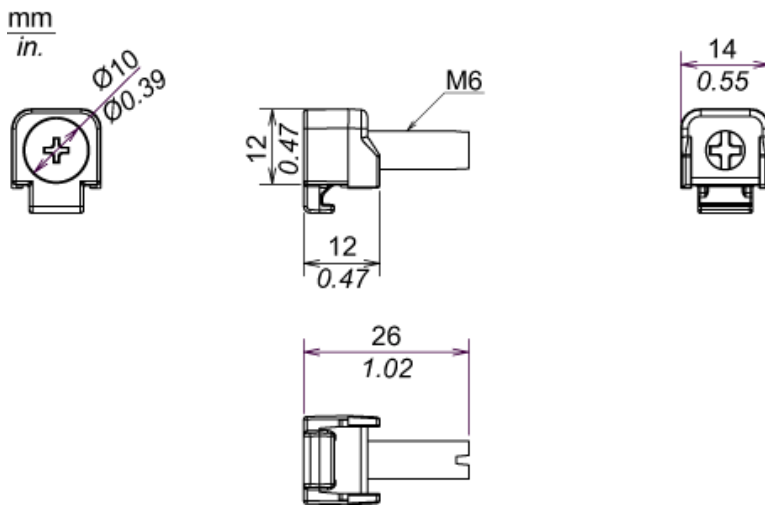
**Mounting**

**Panel Cut Dimensions**



A		B		C		R	
mm	in.	mm	in.	mm	in.	mm	in.
156 (+1, -0)	6.14 (+0.04, -0)	123.5 (+1, -0)	4.86 (+0.04, -0)	1.6...5	0.06...0.2	3 max.	0.12 max.

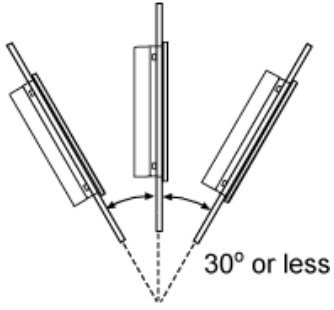
**Installation Fastener Dimensions**



**Installation Requirements**

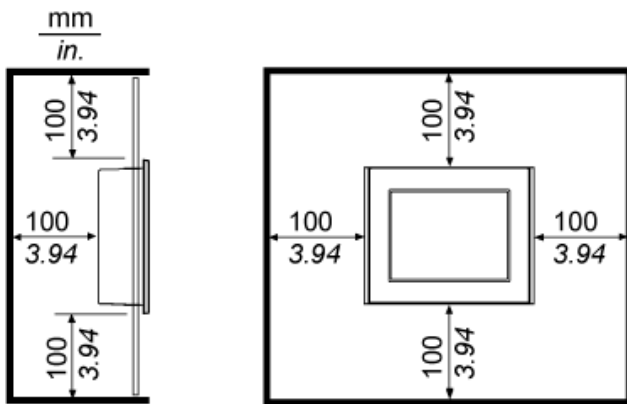
---

**Mounting Angle**



When installing the panel in a slanted position with an incline more than 30°, the ambient temperature must not exceed 40 °C (104 °F). You may need to use forced air cooling (fan,A/C) to ensure the ambient operating temperature is 40°C or less (104 °F or less).

**Clearance**



**Recommended replacement(s)**