

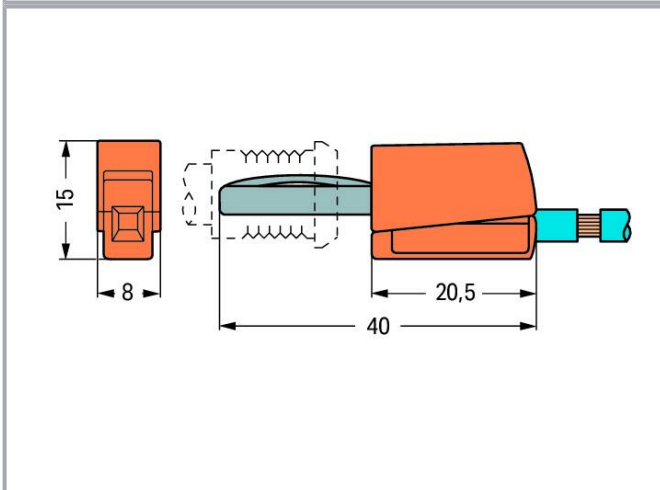
Data sheet | Item number: 215-212

Banana plug; for socket 4 mm Ø; 2,50 mm²; red

www.wago.com/215-212



Color: 



Data

Technical data

Main product function	Testing accessories
Total number of potentials	1

Subject to changes. Please also observe the further product documentation!

WAGO GmbH & Co. KG
Hansastr. 27
32423 Minden
Phone: +49571 887-0 | Fax: +49571 887-169
Email: info.de@wago.com | Web: www.wago.com

Do you have any questions about our products?
We are always happy to take your call at +49 (571) 887-44222.



Electrical data

Rated current	20 A
Test voltage	42 V

Connection data

Connection technology	CAGE CLAMP®
Strip length	9 ... 11 mm / 0.35 ... 0.43 inches
Connection points	1
Solid conductor	0.08 ... 2.5 mm ² / 28 ... 14 AWG
Fine-stranded conductor	0.08 ... 2.5 mm ² / 28 ... 14 AWG

Physical data

Width	8 mm / 0.315 inches
Height	15 mm / 0.591 inches
Depth	40 mm / 1.575 inches

Material Data

Color	red
Fire load	0.042 MJ
Weight	3.9 g

Commercial data

Product Group	2 (Terminal Block Accessories)
eCl@ss 10.0	27-44-03-13
eCl@ss 9.0	27-44-03-13
ETIM 8.0	EC002255
ETIM 7.0	EC002255
PU (SPU)	50 pcs
Packaging type	box
Country of origin	DE
GTIN	4045454293482
Customs tariff number	85366990990

Environmental Product Compliance

CAS-No.	7439-92-1
---------	-----------

Subject to changes. Please also observe the further product documentation!



REACH Candidate List Substance	Lead
RoHS Compliance Status	Compliant,With Exemption
RoHS Exemption	6(c)
SCIP notification number (Austria)	8650673c-24e9-4182-87fd-75f4657a12ad
SCIP notification number (Belgium)	3776f43f-3f5a-4648-ae4e-219e6475c726
SCIP notification number (Bulgaria)	7218efde-f5a9-4a8e-9674-6d6957118382
SCIP notification number (Czech Republic)	6b81d8c5-db39-4f71-9902-caac596d6f84
SCIP notification number (Denmark)	1c49b560-2f0b-4c64-9838-fed5d08ef021
SCIP notification number (Finland)	27757c44-5287-4d19-a83e-c3eb76d7f9da
SCIP notification number (France)	a9b9fdc8-49f2-41ab-a1a0-79c7bd54fd50
SCIP notification number (Germany)	f86c9c1d-6b5b-4fcb-967f-87dfd241ff49
SCIP notification number (Hungary)	86e961fc-4b5f-42de-9515-eb72b040c3b3
SCIP notification number (Italy)	a80103c5-c2aa-4c75-91ff-85d7539bd620
SCIP notification number (Netherlands)	344d9db5-db56-4112-8f44-efedaeadb5a3
SCIP notification number (Poland)	a9f56921-d9a7-460f-8fe6-17dfaa9a1b5c
SCIP notification number (Romania)	037c2db5-c1f2-4125-b56a-b22ff603d834
SCIP notification number (Sweden)	31c7b2e2-c798-4d59-b4f8-913647d91eb2

Downloads

Documentation

Bid Text

215-212 X81 - Datei	19 Feb 2019	xml 3.1 kB	Download
215-212 doc - Datei	19 Sept 2017	doc 25.1 kB	Download

CAD/CAE-Data

CAE data

EPLAN Data Portal 215-212	URL	Download
WSCAD Universe 215-212	URL	Download

CAD data

2D/3D Models 215-212	URL	Download
----------------------	-----	----------

Subject to changes. Please also observe the further product documentation!

WAGO GmbH & Co. KG
 Hansastr. 27
 32423 Minden
 Phone: +49571 887-0 | Fax: +49571 887-169
 Email: info.de@wago.com | Web: www.wago.com

Do you have any questions about our products?
 We are always happy to take your call at +49 (571) 887-44222.

Environmental Product Compliance

Compliance Search

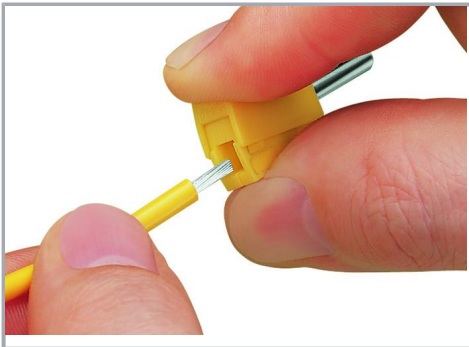
Environmental Product Compliance 215-212
Banana plug; for socket 4 mm Ø; 2,50 mm²; red

URL

Download

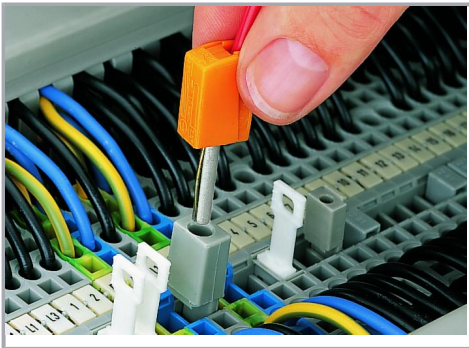
Installation Notes

Conductor termination



Conductor termination: Press button fully, insert stripped conductor into square entry and release.

Testing



Testing via banana plug.

Picture shows a test plug adapter (209-170).

Subject to changes. Please also observe the further product documentation!