

# Data sheet Actuator.

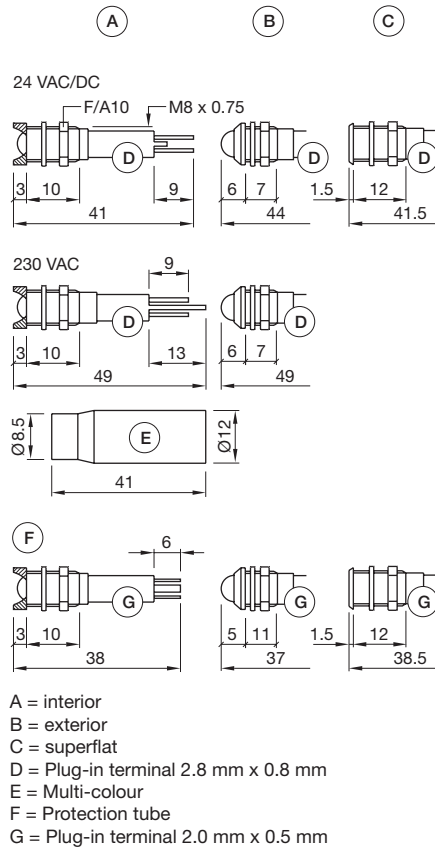
*Part No.: 17-500431*

## Technical data



|                             |  |
|-----------------------------|--|
| Design                      | raised   |
| Front form                  | round  |
| Front dimension             | Ø 9,5 mm   |
| Terminal                    | Plug-in terminal, 2.8 x 0.8 mm   |
| Operating voltage           | 230 V AC ±10 %   |
| Operating voltage tolerance | ±10 % %  |
| Operation current           | 3 mA ±15 %   |
| Operation current tolerance | ±15 % %  |
| Weight                      | 0.005 kg   |
| IP Protection               | IP40 front side, IP65 front side, according to IEC 60529   |
| Illumination colour         | Green  |
| Kind of illumination        | Single-LED   |
| Reflector material          | Metal  |
| Reflector surface           | polished chromium-plated   |
| Reflector position          | internal   |
| Lumi. Intensity             | 5 mcd  |
| Reflector                   | Metal, polished chromium-plated, internal  |
| Operating temperature       | - 20 °C ... + 60 °C  |
| Approbations                | UL   |
| Tightening torque           | Fixing nut max. 0.2 Nm   |
| Hints                       |  |
|                             | <ul style="list-style-type: none"> <li>▪ Connectors: Brass terminal = anode (+); brass tinned terminal = cathode (-)</li> <li>▪ IP67 front side gap between LED and reflector and gap between reflector and frontplate sealed to IP67 when using the supplied gasket.</li> <li>▪ The plastic is limited resistant to chemicals.</li> </ul> |
| Product attributes          |  |
|                             | <ul style="list-style-type: none"> <li>▪ With terminals protection tube</li> </ul>   |

## Dimension drawings



## Mounting cut-outs

