


MDT0240CIH-RGB	800 x 480	RGB Interface	TFT Module
Specification			
Version: 1		Date: 25/01/2022	
Revision			
1	23/01/2022	First issue	

Display Features				
Display Size	2.40"			
Resolution	800 x 480			
Orientation	Landscape			
Appearance	RGB			
Logic Voltage	3.3V			
Interface	RGB			
Brightness	1100 cd/m ²			
Touchscreen	---			
Module Size	58.00 x 41.30 x 2.58mm			
Operating Temperature	-20°C ~ +70°C			
Pinout	40 way FFC		Box Quantity	Weight / Display
Pitch	0.5mm		---	---

DESIGN • MANUFACTURE • SUPPLY

* - For full design functionality, please use this specification in conjunction with the HX8283-A specification.(Provided Separately)

Display Accessories	
Part Number	Description
MPBV6	40 Way FFC to cable and wires. Driven by any driver board that can be wired to a 1mm pitch SHDR-40V-S-B receptacle.
MDIB-11	The MDIB-11 is an HDMI to RGB converter. Ideal for connecting a range of Midas TFT displays to a Single Board Computer such as the Raspberry Pi.

Optional Variants	
Appearances	Voltage



* Description

This is a color active matrix LTPS LCD using Low Temperature Poly-silicon TFT's (Thin Film Transistors) as an active switching devices. This module is composed of a Transmissive type LTPS-LCD Panel, driver circuit, back-light unit. The resolution of a 2.4 " LTPS-LCD contains 800X480 pixels, and can display up to 16.7M colors.

* Features

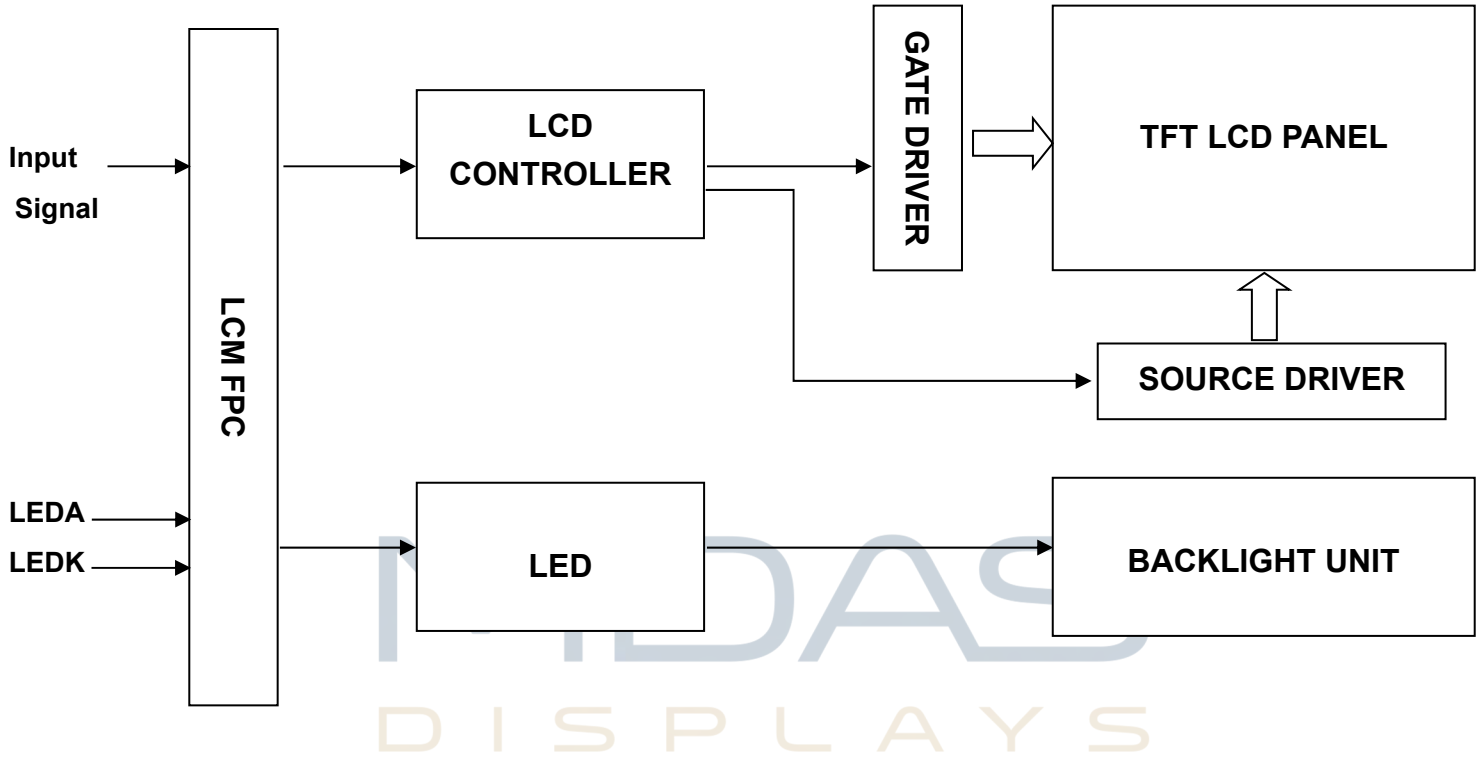
General Information Items	Specification	Unit	Note
	Main Panel		
Display area(AA)	52.32(H)*31.392(V) (2.4 inch)	mm	
Driver element	TFT active matrix	-	
Display colors	16.7M	colors	
Number of pixels	800(RGB)*480	dots	
Pixel arrangement	RGB vertical stripe	-	
Pixel pitch	0.0218(H)*0.0654(V)	mm	
Viewing angle	Free	o'clock	
Controller IC	HX8283-A	-	
LCM Interface	18/24BIT RGB	-	
Display mode	Transmissive /Normally Black	-	
Operating temperature	-20~+70	°C	
Storage temperature	-30~+80	°C	

* Mechanical Information

Item		Min.	Typ.	Max.	Unit	Note
Module size	Horizontal(H)	-	58.00	-	mm	
	Vertical(V)	-	41.30	-	mm	
	Depth(D)	-	2.58	--		
Weight		-	15	-	g	



Block Diagram



DESIGN • MANUFACTURE • SUPPLY



Outline dimension

注:上机壳开窗须小于 LCD POL 0.3mm 以上, LCD V.A 为上镜片建议开窗区.

Pin List:

Pin	TFT Name
1	VLED-
2	VLED+
3	GND
4	VDD
5	R0
6	R1
7	R2
8	R3
9	R4
10	R5
11	R6
12	R7
13	G0
14	G1
15	G2
16	G3
17	G4
18	G5
19	G6
20	G7
21	B0
22	B1
23	B2
24	B3
25	B4
26	B5
27	B6
28	B7
29	GND
30	PCLK
31	DISP
32	HSYNC
33	VSNC
34	DE
35	NC
36	GND
37	XR(NC)
38	YD(NC)
39	XI(NC)
40	YU(NC)

LED (B/L) CIRCUIT

LED A1 LED A2 LED K1 LED K2

NOTES:

1. DISPLAY TYPE: 2.4", TFT-LCD, 16.7M COLORS
2. DISPLAY MODE: NORMALLY BLACK
3. VIEWING DIRECTION: ALL
4. LCM DRIVER IC: HX8283-A(COG)
5. LCM Interface: 18/24Bit RGB
6. VDD: 3.0~3.6V, 3.3V(TYP.)
7. OPERATING TEMP: -20°C TO 70°C
STORAGE TEMP: -30°C TO 80°C
8. BACK LIGHT: LED WHITE, 8 LED, 20mA, 22~27.2V
9. RoHS and REACH COMPLIANT.

Table:

Rev/	Revision content description	Date
V0	FIRST	2021.07.06

Table:

DRAWING NAME	MDT0240CIH-RGB
PARTS NO.	MDT0240CIH-RGB
Drawn	X.XX.3
Checked	X.XX.6.2
Approve	
Unit	mm
Scale	1:1
Page	1/1

Table:

TOLERANCE(公差)	
TOLERANCE UNLESS OTHERWISE SPECIFIED	X.XX.3
Scale	1:1

Input terminal Pin Assignment

NO.	SYMBOL	DISCRIPTION	I/O
1	VLED-	Cathode pin OF backlight	P
2	VLED+	Anode pin of backlight	P
3	GND	Ground.	P
4	VDD	Supply voltage(3.3V).	P
5	R0	Red data input.	I/O
6	R1	Red data input.	I/O
7	R2	Red data input.	I/O
8	R3	Red data input.	I/O
9	R4	Red data input.	I/O
10	R5	Red data input.	I/O
11	R6	Red data input.	I/O
12	R7	Red data input.	I/O
13	G0	Green data input.	I/O
14	G1	Green data input.	I/O
15	G2	Green data input.	I/O
16	G3	Green data input.	I/O
17	G4	Green data input.	I/O
18	G5	Green data input.	I/O
19	G6	Green data input.	I/O
20	G7	Green data input.	I/O
21	B0	Blue data input.	I/O
22	B1	Blue data input.	I/O
23	B2	Blue data input.	I/O
24	B3	Blue data input.	I/O
25	B4	Blue data input.	I/O



26	B5	Blue data input.	I/O
27	B6	Blue data input.	I/O
28	B7	Blue data input.	I/O
29	GND	Ground.	P
30	PCLK	Dot clock signal for RGB interface operation.	I
31	DISP	Standby setting for testing, it should be connected to VDD in normal operation mode. If connected to GND, the IC is in standby mode.	I
32	HSYNC	Line synchronizing signal for RGB interface operation.	I
33	VSYNC	Frame synchronizing signal for RGB interface operation.	I
34	DE	Data enable signal for RGB interface operation.	I
35	NC	NC	
36	GND	Ground.	P
37	XR(NC)	Touch panel Right Glass Terminal	A/D
38	YD(NC)	Touch panel Bottom Film Terminal	A/D
39	XL(NC)	Touch panel LIFT Glass Terminal	A/D
40	YU(NC)	Touch panel Top Film Terminal	A/D

DESIGN • MANUFACTURE • SUPPLY



LCD Optical Characteristics

1. Optical specification

Item	Symbol	Condition	Min.	Typ.	Max.	Unit.	Note	
Contrast Ratio	CR	$\Theta=0$	800	1000	--		(1)(2)	
Response time	Rising	T_{R+T_F}	Normal viewing angle	--	40	45	msec	(1)(3)
	Falling							
Color Gamut	S(%)		40	45	--	%		
Color Filter Chromaticity	White	W_x	-0.04	0.3208	+0.04		CA-310 test	
		W_y		0.3581				
	Red	R_x		0.5876				
		R_y		0.3523				
	Green	G_x		0.3504				
		G_y		0.5637				
	Blue	B_x		0.1578				
		B_y		0.1253				
Viewing angle	Hor.	Θ_L	CR>10	70	80	--	(1)(4)	
		Θ_R		70	80	--		
	Ver.	Θ_U		70	80	--		
		Θ_D		70	80	--		
Option View Direction			Free					

Measuring Condition

Measuring surrounding : dark room

Ambient temperature : $25\pm 2^\circ\text{C}$

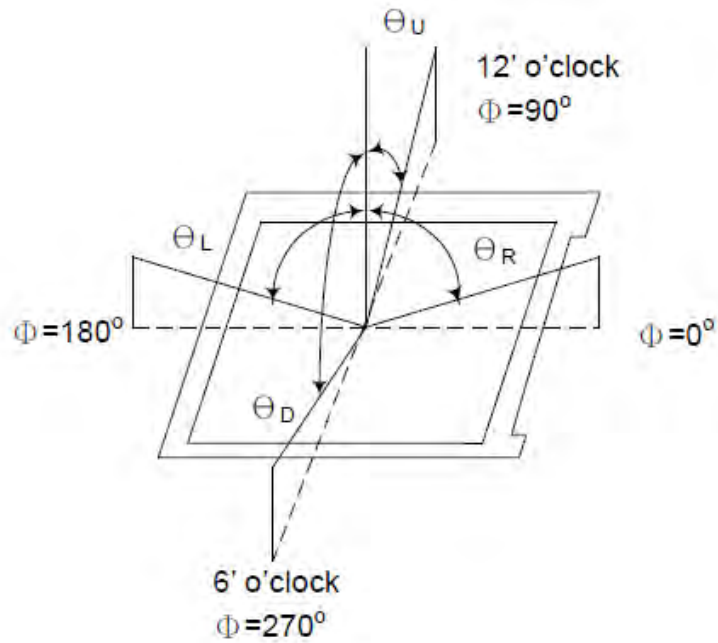
15min. warm-up time.

Measuring Equipment

FPM520 of Westar Display technologies, INC., which utilized SR-3 for Chromaticity and BM-5A for other optical characteristics.

Note (1): Definition of Viewing Angle :



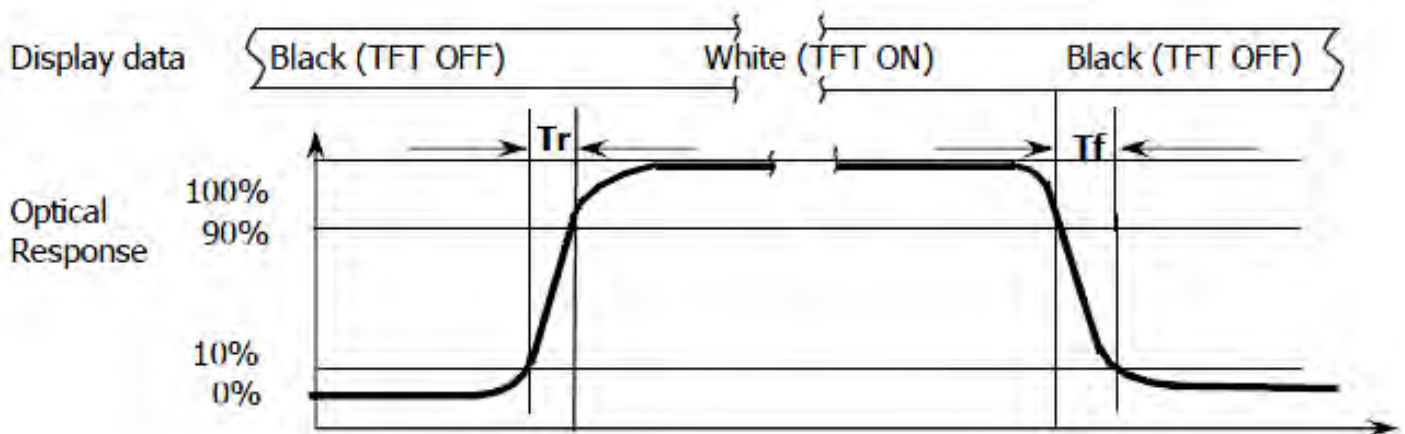


Note (2): Definition of Contrast Ratio(CR) :measured at the center point of panel

$$CR = \frac{\text{Luminance with all pixels white}}{\text{Luminance with all pixels black}}$$

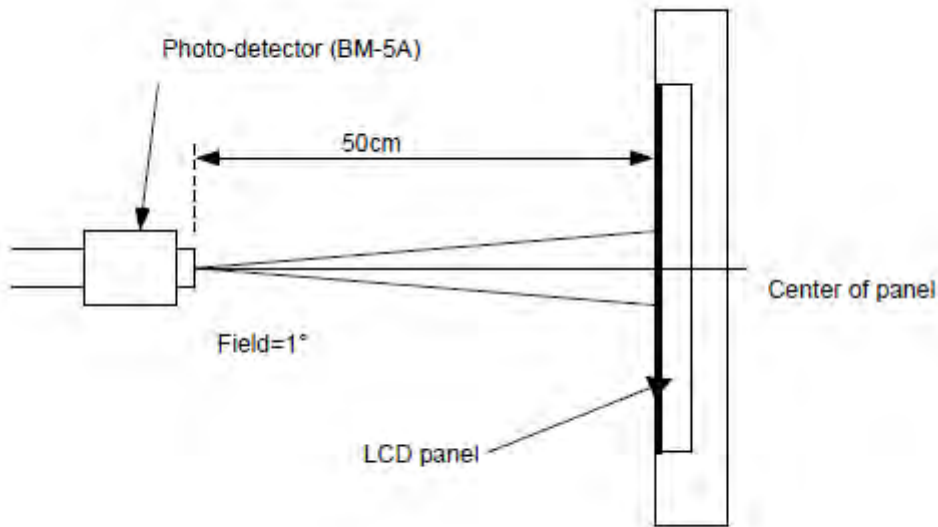
Note (3): Response Time

DESIGN • MANUFACTURE • SUPPLY



Note (4): Definition of optical measurement setup





MIDAS

DISPLAYS

DESIGN • MANUFACTURE • SUPPLY



Electrical Characteristics

1. Absolute Maximum Rating

Characteristics	Symbol	Min.	Max.	Unit	Note
Digital Supply Voltage	V _{CI}	-0.3	4.0	V	Note1
Operating temperature	T _{OP}	-20	+70	°C	
Storage temperature	T _{ST}	-30	+80	°C	

NOTE1: If the absolute maximum rating of even is one of the above parameters is exceeded even momentarily, the quality of the product may be degraded. Absolute maximum ratings, therefore, specify the values exceeding which the product may be physically damaged. Be sure to use the product within the range of the absolute maximum ratings.

2. DC Electrical Characteristics

Characteristics	Symbol	Min.	Typ.	Max.	Unit	Note
Digital Supply Voltage	V _{CI}	3.0	3.3	3.6	V	
Normal mode Current consumption	I _{DD}	--	28	50	mA	
Level input voltage	V _{IH}	0.7*V _{CI}	--	V _{CI}	V	
	V _{IL}	GND	--	0.3*V _{CI}	V	
Level output voltage	V _{OH}	0.8*V _{CI}	--	V _{CI}	V	
	V _{OL}	GND	--	GND+0.4	V	



3. LED Backlight Characteristics

The back-light system is edge-lighting type with 8 chips LED

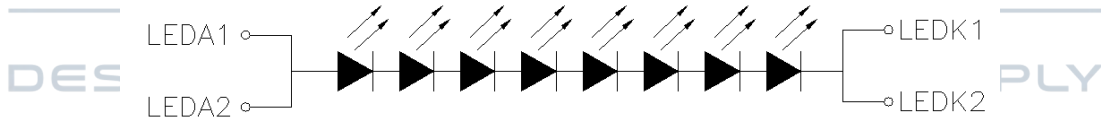
Item	Symbol	Min.	Typ.	Max.	Unit	Note
Forward Current	I_F	--	20	--	mA	
Forward Voltage	V_F	--	24	--	V	
LCM Luminance	LV	1000	1100	--	cd/m ²	Note3
LED life time	Hr	--	50000	--	Hour	Note1,2
Uniformity	Avg	80	--	--	%	Note3

Note1: LED life time (Hr) can be defined as the time in which it continues to operate under the condition:

$T_a=25\pm3$ °C, typical IL value indicated in the above table until the brightness becomes less than 50%.

Note 2: The “LED life time” is defined as the module brightness decrease to 50% original brightness at

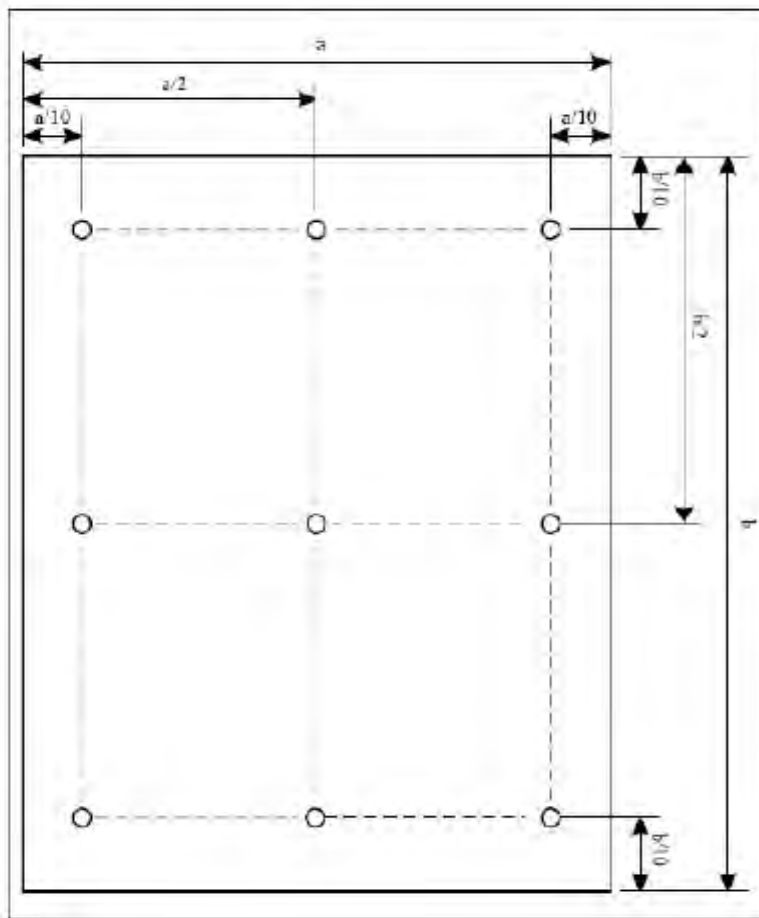
$T_a=25$ °C and $I_L=20$ mA. The LED lifetime could be decreased if operating I_L is larger than 20mA. The constant current driving method is suggested.



LED (B/L) CIRCUIT

Note (3) Luminance Uniformity of these 9 points is defined as below:





$$\text{Uniformity} = \frac{\text{minimum luminance in 9 points (1-9)}}{\text{maximum luminance in 9 points (1-9)}}$$

DESIGN • MANUFACTURE • SUPPLY



AC Characteristics

1. RGB mode AC electrical characteristics

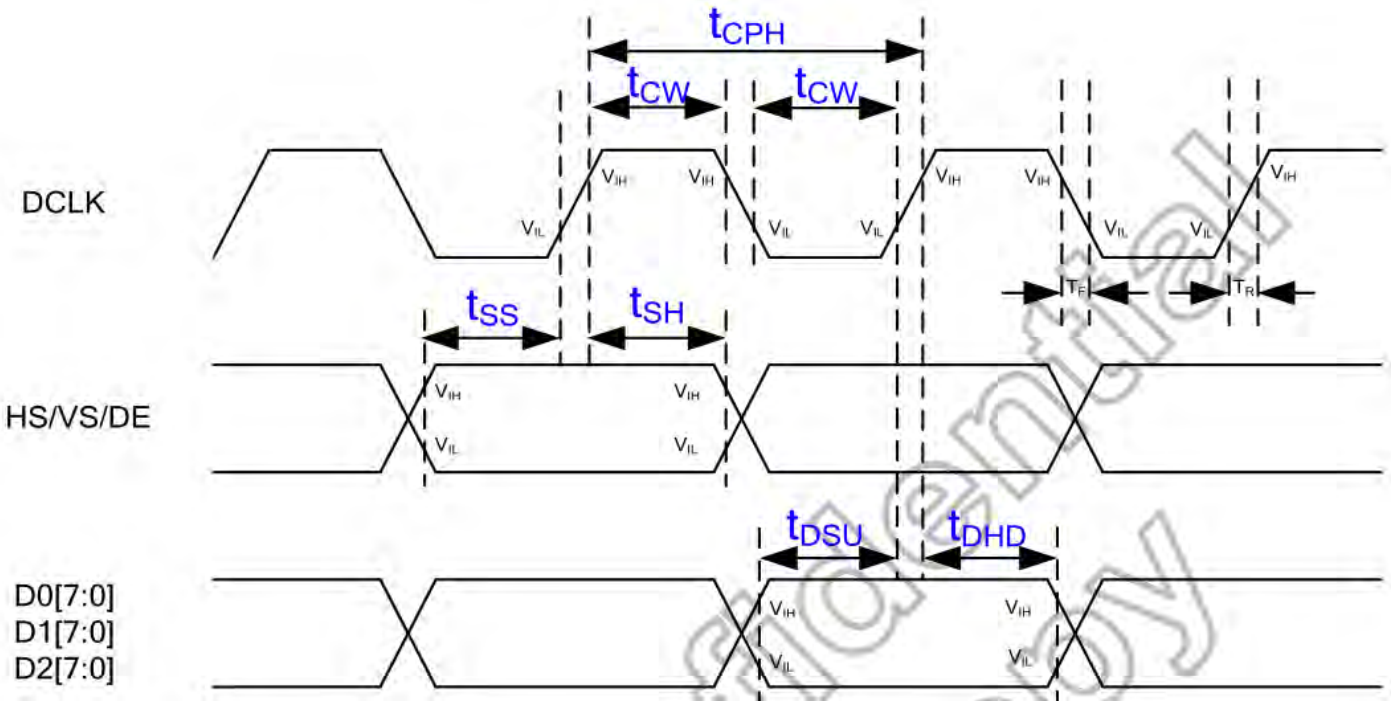


Figure 6.1: Input signal timing

Input data/Sync. Parameters

(VCI = 3.0V to 3.6V, GND=0V, T A = -20~70°C)

Parameter	Symbol	Spec.			Unit
		Min.	Typ.	Max.	
DCLK period	T_{CPH}	16.67	-	555.5	ns
DCLK clock high/low width	T_{CW}	6	-	-	ns
Data setup time	T_{DSU}	5	-	-	ns
Data hold time	T_{DHD}	5	-	-	ns
VS/HS/DE setup time	T_{SS}	5	-	-	ns
VS/HS/DE hold time	T_{SH}	5	-	-	ns
Input signal rising time	T_R	-	-	10	ns
Input signal falling time	T_F	-	-	10	ns

Table 6.1: Input data/Sync. Parameters



2. Parallel RGB with DE mode

It just needs DE signal only, when DE only mode enable.

- Horizontal

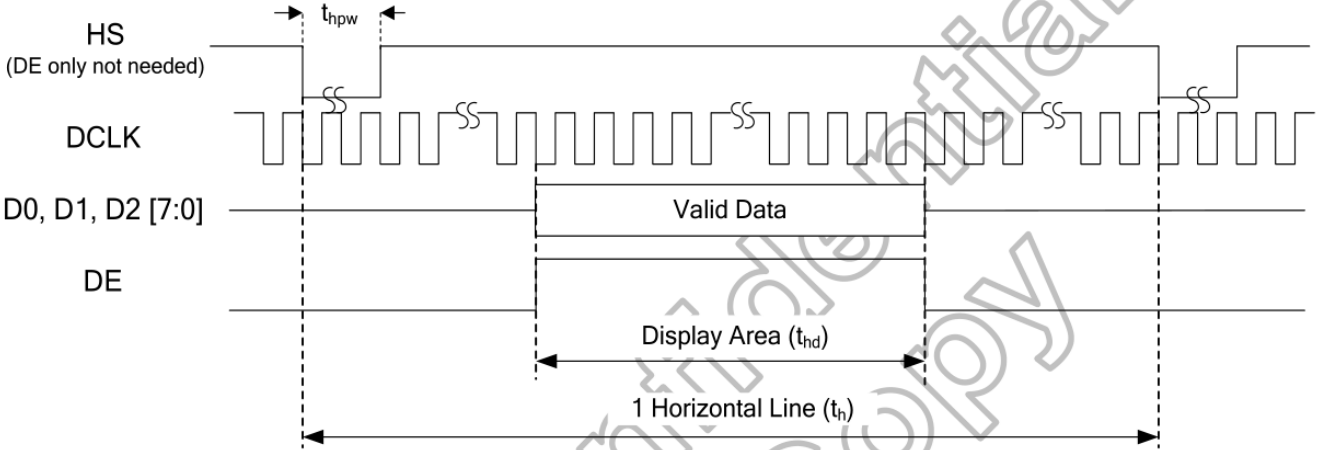


Figure 6.3.1: Horizontal input timing at DE only mode

- Vertical

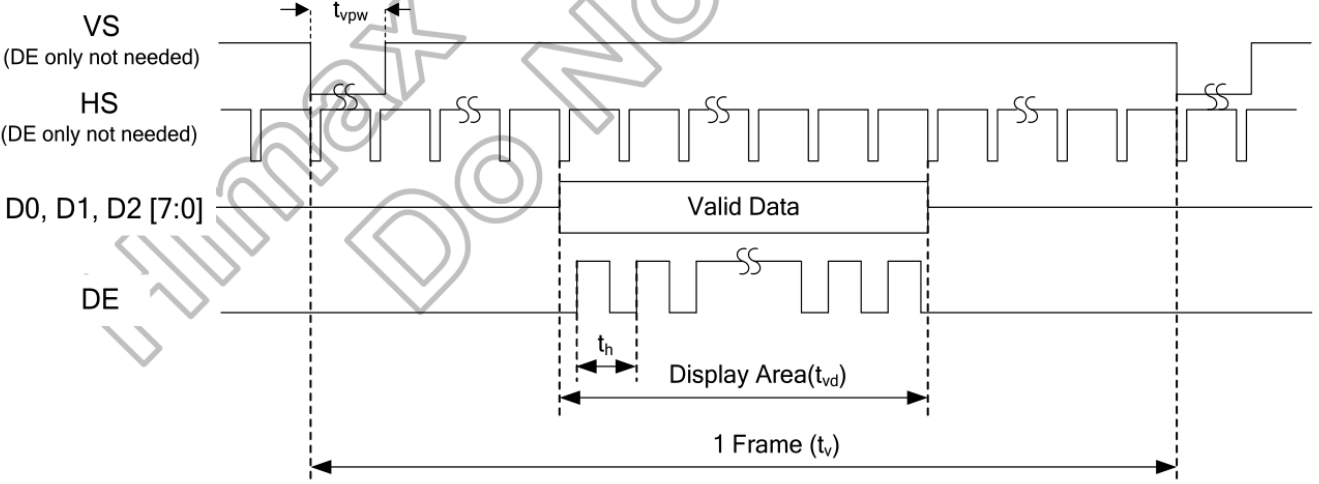
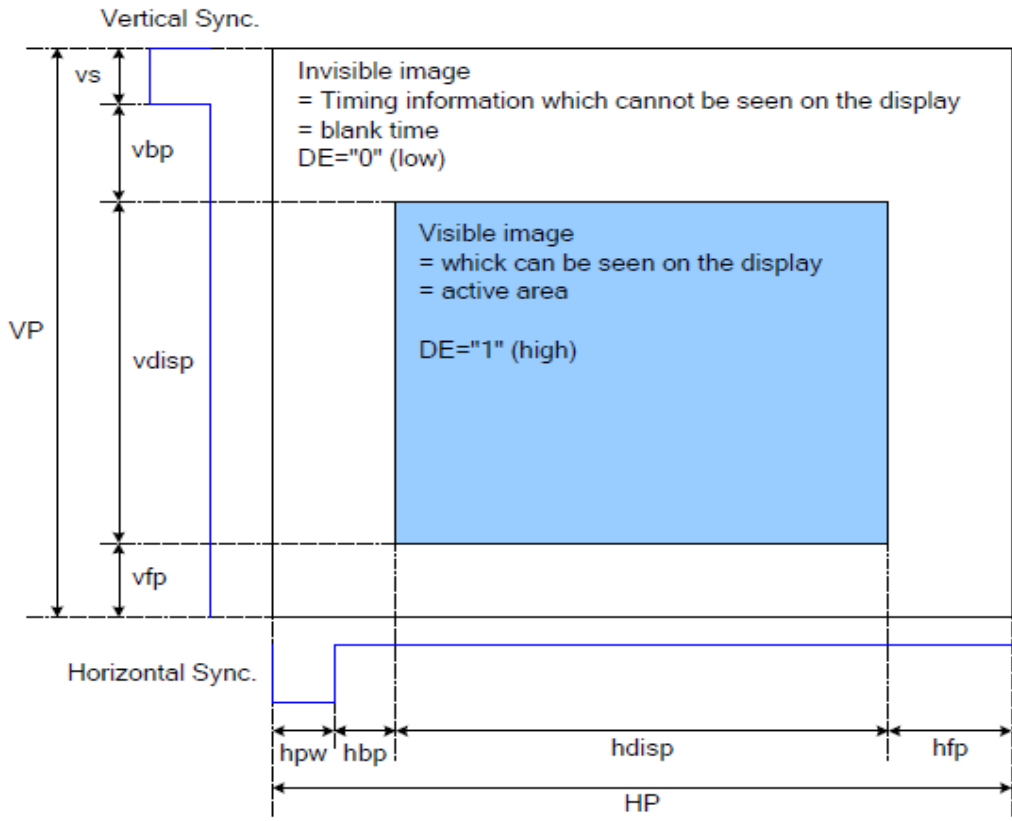


Figure 6.3.2: Vertical input timing at DE only mode



3. Timing Table

The display operation via the RGB interface is synchronized with the VSYNC, HSYNC, and DOTCLK signals. The data can be written only within the specified area with low power consumption by using window address function. The back porch and front porch are used to set the RGB interface timing.



Please refer to the following table for the setting limitation of RGB interface signals.

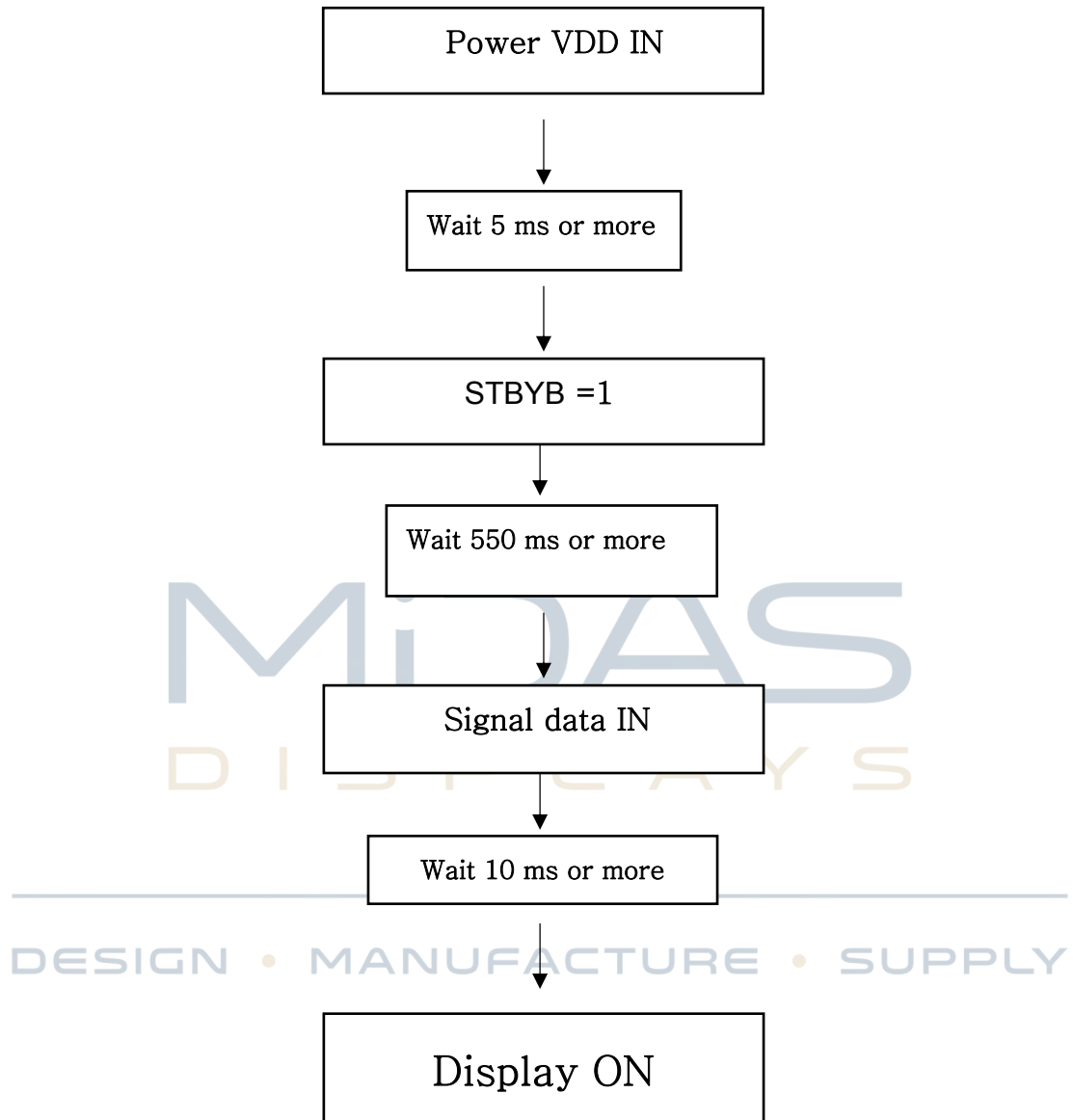
Parameter	Symbol	Min.	Typ.	Max.	Unit
DCLK frequency	FCLK	--	(27)	--	MHz
Horizontal display area	Hdisp	--	800	--	Clock
Horizontal Sync. Width	hpw	1	8	254	Clock
Horizontal Sync. Back Porch	hbp	1	10	255	Clock
Horizontal Sync. Front Porch	hfp	1	50	--	Clock
Vertical display area	Vdisp	--	480	--	Line
Vertical Sync. Width	vs	1	4	--	Line
Vertical Sync. Back Porch	vbp	1	20	--	Line
Vertical Sync. Front Porch	vfp	1	16	--	Line
Frame-Rate		--	60	--	Hz

Note:
1. Typical value are related to the setting frame rate is 60Hz.

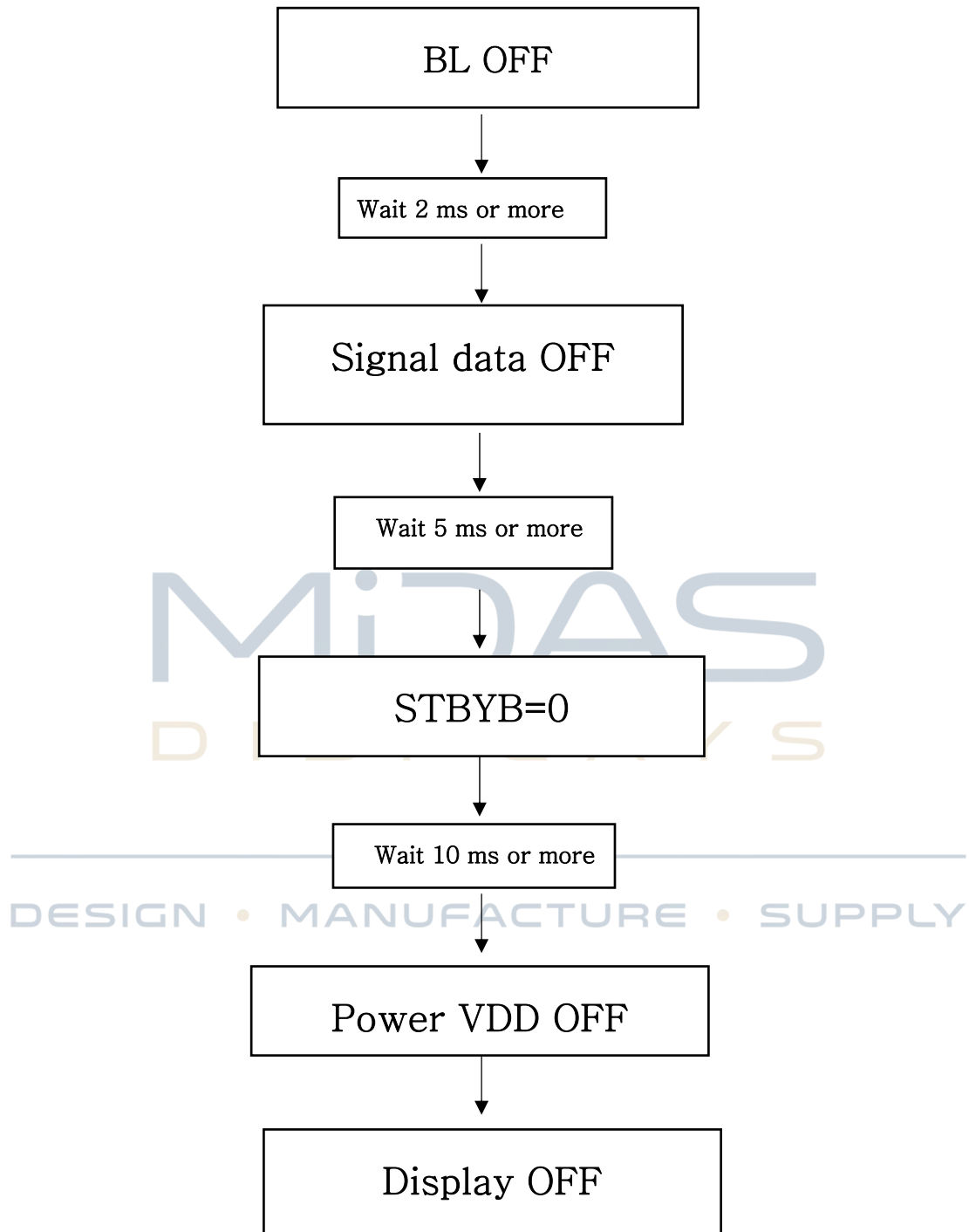


LCM Power Sequence

1. Power-on Sequence



2. Display OFF Sequence



LCD Module Out-Going Quality Level

1. VISUAL & FUNCTION INSPECTION STANDARD

1.1 Inspection conditions

Inspection performed under the following conditions is recommended.

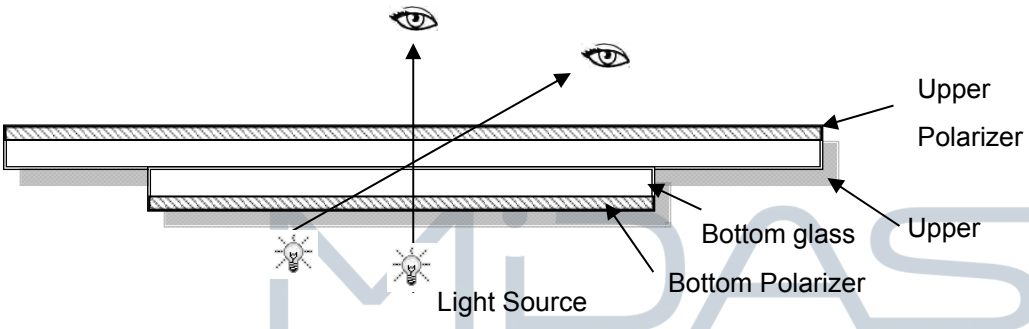
Temperature : $25 \pm 5^\circ\text{C}$

Humidity : $65\% \pm 10\% \text{RH}$

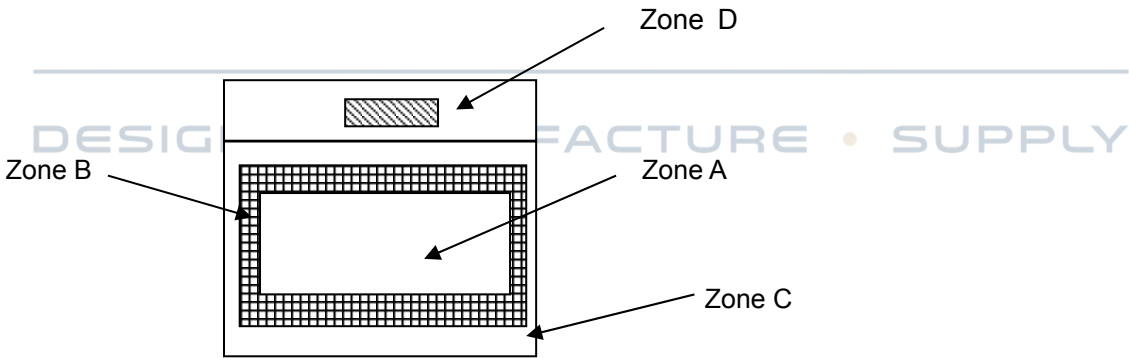
Viewing Angle : Normal viewing Angle.

Illumination: Single fluorescent lamp (300 to 700Lux)

Viewing distance: 30-50cm



1.2 Definition



Zone A : Effective Viewing Area(Character or Digit can be seen)

Zone B : Viewing Area except Zone A

Zone C : Outside (Zone A+Zone B) which can not be seen after assembly by customer

Zone D : IC Bonding Area

Note:As a general rule ,visual defects in Zone C can be ignored when it doesn't effect product function or appearance after assembly by customer



1.3 Sampling Plan

According to GB/T 2828-2003 ; , normal inspection, Class II

AQL:

Major defect	Minor defect
0.65	1.5

LCD: Liquid Crystal Display , LCM: Liquid Crystal Module,

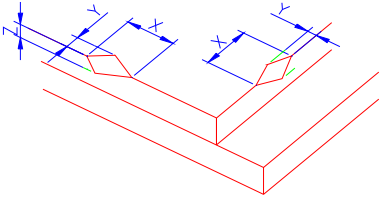
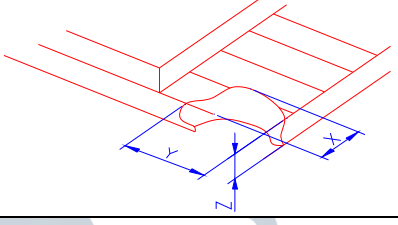
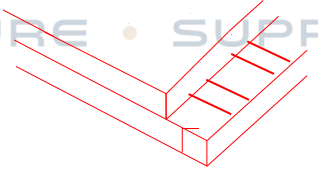
No	Items to be inspected	Criteria	Classification of defects
1	Functional defects	1) No display, Open or miss line 2) Display abnormally, Short 3) Backlight no lighting, abnormal lighting. etc...	Major
2	Missing	Missing components and etc...	
3	Outline dimension	Overall outline dimension beyond the drawing is not allowed, deformation and etc...	
4	Color tone	Color unevenness, refer to limited sample	Minor
5	Spot/Line defect	Light dot, Dim spot, (Note1) Polarizer Air Bubble, Polarizer accidented spot and etc.	
6	Soldering appearance	Good soldering , Peeling off is not allowed and etc.	
7	LCD/Polarizer	Black/White spot/line, scratch, crack, etc.	

Note1: a) Light dot: Dots appear bright and unchanged in size in which LCD panel is displaying under black pattern.

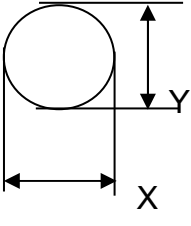
b) Dim dot: Dots appear dark and unchanged in size in which LCD panel is displaying under pure red, green, blue picture.



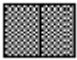

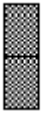
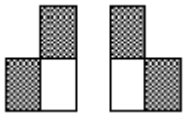
1.4 Criteria (Visual)

Number	Items	Criteria(mm)						
1.0 LCD Crack/Broken NOTE: X: Length Y: Width Z: Height L: Length of ITO, T: Height of LCD	(1) The edge of LCD broken	 <table border="1" data-bbox="756 600 1453 748"> <thead> <tr> <th>X</th> <th>Y</th> <th>Z</th> </tr> </thead> <tbody> <tr> <td>≤3.0mm</td> <td><Inner border line of the seal</td> <td>≤T</td> </tr> </tbody> </table>	X	Y	Z	≤3.0mm	<Inner border line of the seal	≤T
X	Y	Z						
≤3.0mm	<Inner border line of the seal	≤T						
	(2) LCD corner broken	 <table border="1" data-bbox="836 1055 1374 1155"> <thead> <tr> <th>X</th> <th>Y</th> <th>Z</th> </tr> </thead> <tbody> <tr> <td>≤3.0mm</td> <td>≤L</td> <td>≤T</td> </tr> </tbody> </table>	X	Y	Z	≤3.0mm	≤L	≤T
X	Y	Z						
≤3.0mm	≤L	≤T						
	(3) LCD crack	 <p style="text-align: center;">Crack Not allowed</p>						




2.0	<p>Spot defect</p>  <p>$\Phi=(X+Y)/2$</p>	① light dot (black/white spot , pinhole, stain, etc.)				
		Acceptable Qty				
		Zone		A	B	C
		Size (mm)				
		$\Phi \leq 0.15$		Ignore		
		$0.15 < \Phi \leq 0.25$		3(distance ≥ 6 mm)		
		$0.25 < \Phi \leq 0.4$		2(distance ≥ 6 mm)		
		$\Phi > 0.4$		0		
		② Dim spot (light leakage, dent, dark spot, etc)				
		Acceptable Qty				
		Zone		A	B	C
		Size (mm)				
		$\Phi \leq 0.15$		Ignore		
		$0.15 < \Phi \leq 0.25$		3(distance ≥ 6 mm)		
		$0.25 < \Phi \leq 0.4$		2(distance ≥ 6 mm)		
$\Phi > 0.4$		0				
③ Polarizer accidented spot						
Acceptable Qty						
Zone		A	B	C		
Size (mm)						
$\Phi \leq 0.2$		Ignore				
$0.2 < \Phi \leq 0.5$		2(distance ≥ 6 mm)				
$\Phi > 0.5$		0				
④ Polarizer Bubble						
Acceptable Qty						
Zone		A	B	C		
Size (mm)						
$\Phi \leq 0.2$		Ignore				
$0.2 < \Phi \leq 0.4$		3(distance ≥ 6 mm)				
$\Phi > 0.4$		0				



3.0	LCD Pixel defect	<p>Pixel bad points</p> <table border="1"> <thead> <tr> <th data-bbox="539 309 730 360">Item</th> <th data-bbox="730 309 1241 360">Zone A</th> <th data-bbox="1241 309 1497 360">Acceptable Qty</th> </tr> </thead> <tbody> <tr> <td data-bbox="539 360 730 521" rowspan="3">Bright dot</td> <td data-bbox="730 360 1241 416">Random</td> <td data-bbox="1241 360 1497 416">N≤2</td> </tr> <tr> <td data-bbox="730 416 1241 472">2 dots adjacent</td> <td data-bbox="1241 416 1497 472">N≤0</td> </tr> <tr> <td data-bbox="730 472 1241 521">3 dots adjacent</td> <td data-bbox="1241 472 1497 521">N≤0</td> </tr> <tr> <td data-bbox="539 521 730 689" rowspan="3">Dark dot</td> <td data-bbox="730 521 1241 577">Random</td> <td data-bbox="1241 521 1497 577">N≤2</td> </tr> <tr> <td data-bbox="730 577 1241 633">2 dots adjacent</td> <td data-bbox="1241 577 1497 633">N≤0</td> </tr> <tr> <td data-bbox="730 633 1241 689">3 dots adjacent</td> <td data-bbox="1241 633 1497 689">N≤0</td> </tr> <tr> <td data-bbox="539 689 730 1003">Distance</td> <td data-bbox="730 689 1241 1003"> 1. Minimum Distance Between Bright dots. 2. Minimum Distance Between dark dots 3. Minimum Distance Between dark and bright dot. </td> <td data-bbox="1241 689 1497 1003">5mm</td> </tr> <tr> <td colspan="2" data-bbox="539 1003 1241 1059">Total bright and dark dot</td> <td data-bbox="1241 1003 1497 1059">N≤4</td> </tr> </tbody> </table> <p>Note:</p> <p>A) Bright dot: Dots appear bright and unchanged in size in which LCD panel is displaying under black pattern.</p> <p>B) Dark dot: Dots appear dark and unchanged in size in which LCD panel is displaying under pure red, green, blue picture.</p> <p>C) 2 dot adjacent = 1 pair = 2 dots</p> <p>Picture:</p> <div style="display: flex; justify-content: space-around; align-items: flex-start;"> <div style="text-align: center;">  <p>2 dot adjacent</p> </div> <div style="text-align: center;">  <p>2 dot adjacent</p> </div> <div style="text-align: center;">  <p>2 dot adjacent (vertical)</p> </div> <div style="text-align: center;">  <p>2 dot adjacent (slant)</p> </div> </div>	Item	Zone A	Acceptable Qty	Bright dot	Random	N≤2	2 dots adjacent	N≤0	3 dots adjacent	N≤0	Dark dot	Random	N≤2	2 dots adjacent	N≤0	3 dots adjacent	N≤0	Distance	1. Minimum Distance Between Bright dots. 2. Minimum Distance Between dark dots 3. Minimum Distance Between dark and bright dot.	5mm	Total bright and dark dot		N≤4
Item	Zone A	Acceptable Qty																							
Bright dot	Random	N≤2																							
	2 dots adjacent	N≤0																							
	3 dots adjacent	N≤0																							
Dark dot	Random	N≤2																							
	2 dots adjacent	N≤0																							
	3 dots adjacent	N≤0																							
Distance	1. Minimum Distance Between Bright dots. 2. Minimum Distance Between dark dots 3. Minimum Distance Between dark and bright dot.	5mm																							
Total bright and dark dot		N≤4																							



4.0	Line defect (LCD /Polarizer backlight black/white line, scratch, stain)  W: width, L : length N : Count	<table border="1"> <thead> <tr> <th rowspan="2">Width(mm)</th> <th rowspan="2">Length(m)</th> <th colspan="3">Acceptable Qty</th> </tr> <tr> <th>A</th> <th>B</th> <th>C</th> </tr> </thead> <tbody> <tr> <td>$\Phi \leq 0.03$</td> <td>Ignore</td> <td colspan="2">Ignore</td> <td rowspan="3">Ignore</td> </tr> <tr> <td>$0.03 < W \leq 0.04$</td> <td>$L \leq 3.0$</td> <td colspan="2">$N \leq 2$</td> </tr> <tr> <td>$0.04 < W \leq 0.05$</td> <td>$L \leq 2.0$</td> <td colspan="2">$N \leq 1$</td> </tr> <tr> <td>$W > 0.05$</td> <td colspan="4">Define as spot defect</td> </tr> </tbody> </table>	Width(mm)	Length(m)	Acceptable Qty			A	B	C	$\Phi \leq 0.03$	Ignore	Ignore		Ignore	$0.03 < W \leq 0.04$	$L \leq 3.0$	$N \leq 2$		$0.04 < W \leq 0.05$	$L \leq 2.0$	$N \leq 1$		$W > 0.05$	Define as spot defect			
		Width(mm)			Length(m)	Acceptable Qty																						
			A	B		C																						
		$\Phi \leq 0.03$	Ignore	Ignore		Ignore																						
		$0.03 < W \leq 0.04$	$L \leq 3.0$	$N \leq 2$																								
$0.04 < W \leq 0.05$	$L \leq 2.0$	$N \leq 1$																										
$W > 0.05$	Define as spot defect																											
5.0	Electronic Components SMT.	Not allow missing parts, solderless connection, cold solder joint, mismatch, The positive and negative polarity opposite																										
6.0	Display color & Brightness.	1. Color : Measuring the color coordinates, The measurement standard according to the datasheet or samples. 2. Brightness : Measuring the brightness of White screen, The measurement standard according to the datasheet or Samples.																										
7.0	LCD Mura/Waving/ Hot spot	Not visible through 5% ND filter in 50% gray or judge by limit sample if necessary.																										

Criteria (functional items)

Number	Items	Criteria (mm)
1	No display	Not allowed
2	Missing segment	Not allowed
3	Short	Not allowed
4	Backlight no lighting	Not allowed



Reliability Test Result

Item	Condition	Inspection after test
High Temperature Operating	70°C,96HR	Inspection after 2~4hours storage at room temperature, the sample shall be free from defects: 1.Air bubble in the LCD; 2.Non-display; 3.Missing segments/line; 4.Glass crack; 5.Current IDD is twice higher than initial value.
Low Temperature Operating	-20°C, 96HR	
High Temperature Storage	80°C, 96HR	
Low Temperature Storage	-30°C, 96HR	
High Temperature & High Humidity Operating	+60°C, 90% RH ,96 hours.	
Thermal Shock (Non-operation)	-30°C,30 min ↔ +80°C,30 min, Change time:5min 20CYC.	
ESD test	C=150pF, R=330,5points/panel Air:±8KV, 5times; Contact:±6KV, 5 times; (Environment: 15°C~35°C, 30%~60%).	
Vibration (Non-operation)	Frequency range:10~55Hz, Stroke:1.5mm Sweep:10Hz~55Hz~10Hz 2 hours for each direction of X.Y.Z. (6 hours for total) (Package condition).	
Box Drop Test	1 Corner 3 Edges 6 faces,80cm(MEDIUM BOX)	

Remark:

- 1.The test samples should be applied to only one test item.
- 2.Sample size for each test item is 5~10pcs.
- 3.For Damp Proof Test, Pure water(Resistance > 10MΩ) should be used.
- 4.In case of malfunction defect caused by ESD damage, if it would be recovered to normal state after resetting, it would be judged as a good part.
- 5.Failure Judgment Criterion: Basic Specification, Electrical Characteristic, Mechanical Characteristic, Optical Characteristic.
6. The color fading mura of polarizing filter should not care.



Cautions and Handling Precautions

1. Handling and Operating the Module

(1) When the module is assembled, it should be attached to the system firmly.

Do not warp or twist the module during assembly work.

(2) Protect the module from physical shock or any force. In addition to damage, this may cause improper operation or damage to the module and back-light unit.

(3) Note that polarizer is very fragile and could be easily damaged. Do not press or scratch the surface.

(4) Do not allow drops of water or chemicals to remain on the display surface.

If you have the droplets for a long time, staining and discoloration may occur.

(5) If the surface of the polarizer is dirty, clean it using some absorbent cotton or soft cloth.

(6) The desirable cleaners are water, IPA (Isopropyl Alcohol) or Hexane.

Do not use ketene type materials (ex. Acetone), Ethyl alcohol, Toluene, Ethyl acid or Methyl chloride. It might permanent damage to the polarizer due to chemical reaction.

(7) If the liquid crystal material leaks from the panel, it should be kept away from the eyes or mouth. In case of contact with hands, legs, or clothes, it must be washed away thoroughly with soap.

(8) Protect the module from static; it may cause damage to the CMOS ICs.

(9) Use finger-stalls with soft gloves in order to keep display clean during the incoming inspection and assembly process.

(10) Do not disassemble the module.

(11) Protection film for polarizer on the module shall be slowly peeled off just before use so that the electrostatic charge can be minimized.

(12) Pins of I/F connector shall not be touched directly with bare hands.

(13) Do not connect, disconnect the module in the "Power ON" condition.

(14) Power supply should always be turned on/off by the item 6.1 Power On Sequence & 6.2 Power Off Sequence

2. Storage and Transportation.

(1) Do not leave the panel in high temperature, and high humidity for a long time.

It is highly recommended to store the module with temperature from 0 to 35 °C and relative humidity of less than 70%

(2) Do not store the TFT-LCD module in direct sunlight.

(3) The module shall be stored in a dark place. When storing the modules for a long time, be sure to adopt effective measures for protecting the modules from strong ultraviolet radiation, sunlight, or fluorescent light.

(4) It is recommended that the modules should be stored under a condition where no condensation is allowed. Formation of dewdrops may cause an abnormal operation or a failure of the module.

In particular, the greatest possible care should be taken to prevent any module from being operated where condensation has occurred inside.

(5) This panel has its circuitry FPC on the bottom side and should be handled carefully in order not to be stressed.

