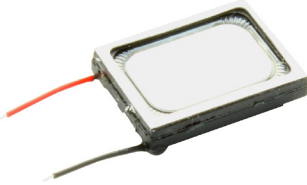


# 8Ω Miniature Speaker

**multicomp** PRO



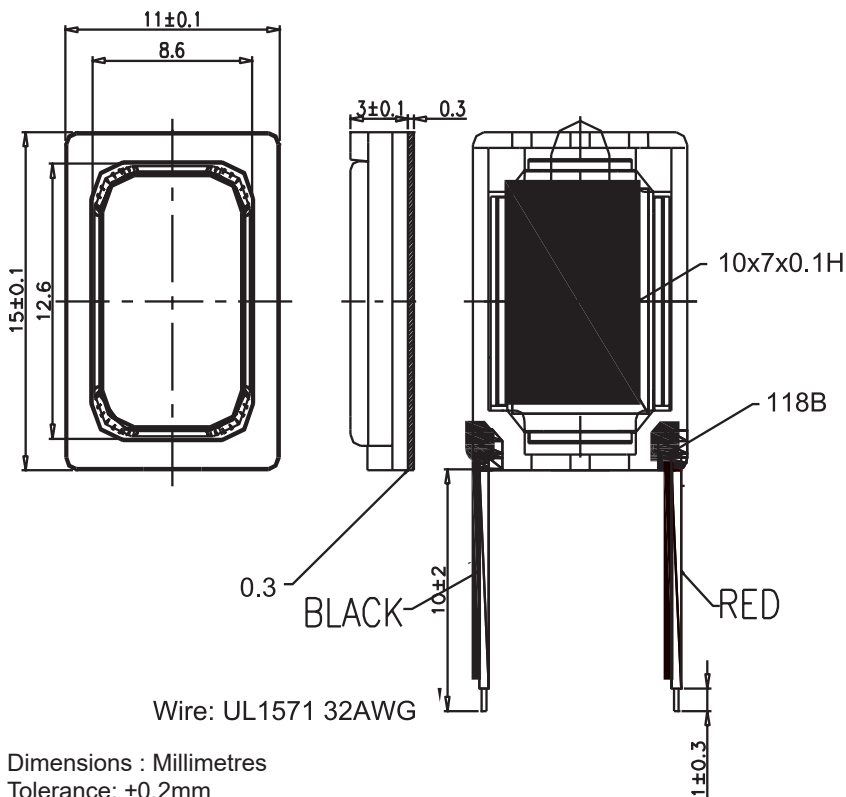
## Features

- Miniature rectangular 8Ω speaker, 1Wmax.
- Very small, compact, low profile speaker
- Fitted with leads to enable easy fixing within an application.
- Suitable for mobile phones, PDAs and Bluetooth products.

## Specifications

Rated Impedance	: 8Ω ±15% (2.0kHz/2.0Vrms)
Rated Input Power	: 0.7W
Maximum Input Power	: 1W
Resonant Frequency	: 700 ±20% Hz (1V) in free air at 1.0Vrms/10cm
Coil Resistance	: 7.2Ω ±10%
Rated Frequency Range	: 0Hz to 20kHz
Sound Pressure Level	: 89dB ±3dB (2.0Vrms/10cm at AVG 0.8,1,1.5,2kHz)
Total Harmonic Distortion	: 10% Max. (at 1kHz, 2.0rms/10cm)
Operating Temperature	: -30 to +80°C
Polarity	: When a positive DC Current is applied to the voice coil terminal marked +or red, the diaphragm shall move forward
Weight	: 1.5g

## Diagram



Dimensions : Millimetres  
Tolerance:  $\pm 0.2$ mm

Newark.com/multicomp-pro  
Farnell.com/multicomp-pro  
sg.element14.com/b/multicomp-pro

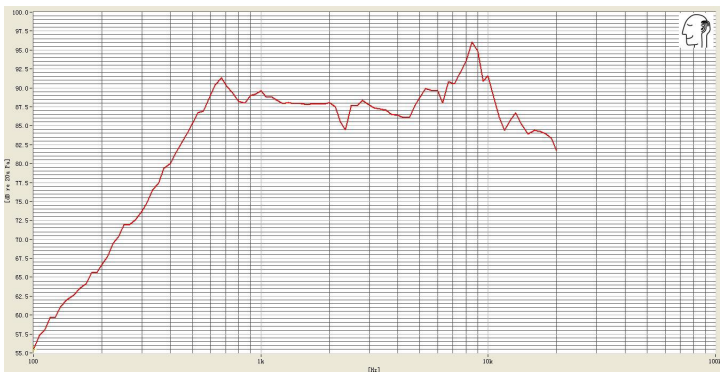
**multicomp** PRO

# 8Ω Miniature Speaker

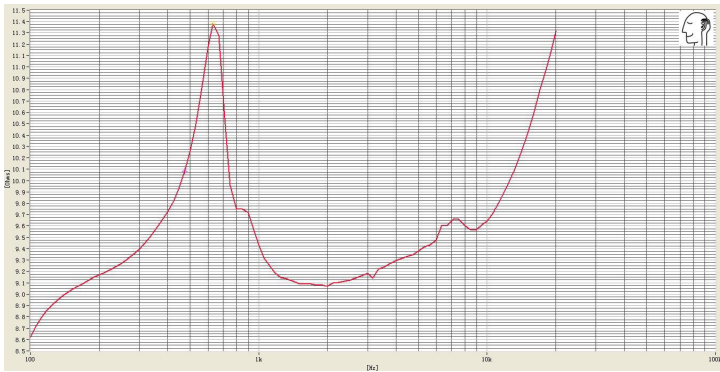
## Material

Front Cover : PBT  
Diaphragm : PEEK  
Voice coil : Copper Wire  
Frame & Terminal : PBT + SUS  
Plate & Yoke : SPCC  
Magnet : NdFeB

## 2.0Vrms/10cm



## 1.0Vrms/10cm



## Part Number Table

Description	Part Number
Miniature speaker, 8Ω, 15mm × 11mm × 3mm	MP000291

**Important Notice :** This data sheet and its contents (the "Information") belong to the members of the AVNET group of companies (the "Group") or are licensed to it. No licence is granted for the use of it other than for information purposes in connection with the products to which it relates. No licence of any intellectual property rights is granted. The Information is subject to change without notice and replaces all data sheets previously supplied. The Information supplied is believed to be accurate but the Group assumes no responsibility for its accuracy or completeness, any error in or omission from it or for any use made of it. Users of this data sheet should check for themselves the Information and the suitability of the products for their purpose and not make any assumptions based on information included or omitted. Liability for loss or damage resulting from any reliance on the Information or use of it (including liability resulting from negligence or where the Group was aware of the possibility of such loss or damage arising) is excluded. This will not operate to limit or restrict the Group's liability for death or personal injury resulting from its negligence. Multicomp Pro is the registered trademark of Premier Farnell Limited 2019.

Newark.com/multicomp-pro  
Farnell.com/multicomp-pro  
sg.element14.com/b/multicomp-pro