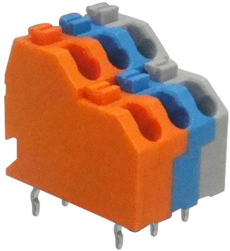


Wire to Board Terminal Block **multicomp**PRO

**RoHS
Compliant**



Specifications

Technical data in accordance to UL/CUL

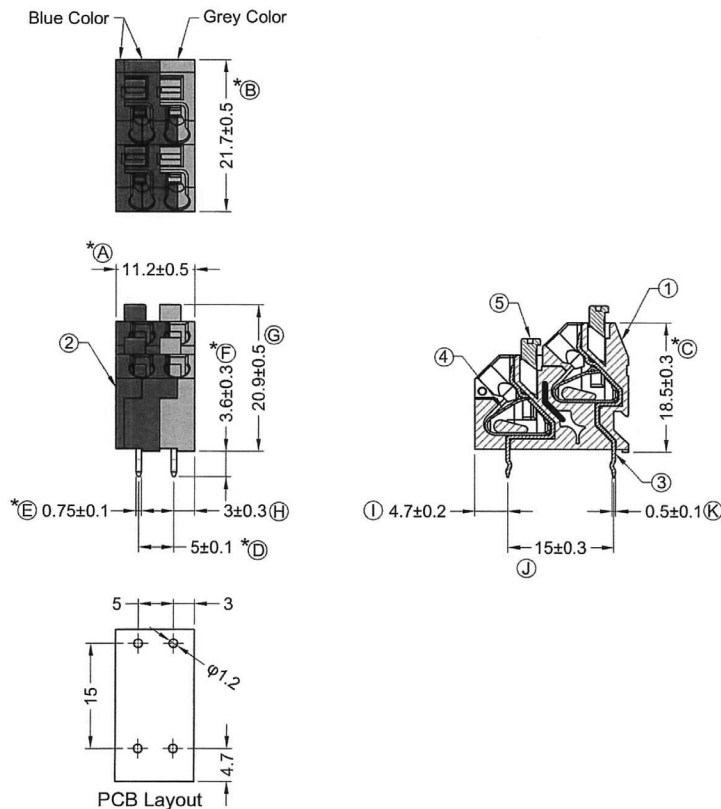
Current Rating : 10A 300V (UG BD)
 Insulation withstands voltage : 1600V AC 1min
 Insulation Resistance : >2000MΩ 500V DC
 Wire Range : 14AWG to 22AWG

Approval data in accordance to IEC 60998-2-2

Wire Range : 0.34mm² to 1.5mm²
 1.5mm² (rigid solid, flexible)

Operating Temperature : -40°C to +105°C
 Wire Strip Length : 9mm

Diagram



	Material		Plating/ Finish	Remark
1	Insulating body	Polyamide 66(UL94V-0)	-	
2	Cover			Blue
3	Terminal	Copper	Tin Plated	
4	Spring	Stainless Strip Steel		
5	Lever	Polyamide 66(UL94V-0)		

Part Number Table

Description	Part Number
Terminal Block, 5mm, 4P	MP012681

Dimensions : Millimetres

Important Notice : This data sheet and its contents (the "Information") belong to the members of the AVNET group of companies (the "Group") or are licensed to it. No licence is granted for the use of it other than for information purposes in connection with the products to which it relates. No licence of any intellectual property rights is granted. The Information is subject to change without notice and replaces all data sheets previously supplied. The Information supplied is believed to be accurate but the Group assumes no responsibility for its accuracy or completeness, any error in or omission from it or for any use made of it. Users of this data sheet should check for themselves the Information and the suitability of the products for their purpose and not make any assumptions based on information included or omitted. Liability for loss or damage resulting from any reliance on the Information or use of it (including liability resulting from negligence or where the Group was aware of the possibility of such loss or damage arising) is excluded. This will not operate to limit or restrict the Group's liability for death or personal injury resulting from its negligence. Multicomp Pro is the registered trademark of Premier Farnell Limited 2019.

Newark.com/multicomp-pro
 Farnell.com/multicomp-pro
 sg.element14.com/b/multicomp-pro

multicompPRO