

Product datasheet

Specifications



Preventa module Cat.4 features XPSUAK + delayed outputs 48-240vac/dc spring

XPSUAT33A3AC

EAN Code : 3606489601706

Main

Range of product	Harmony Safety Automation
Product or component type	Safety module
Safety module name	XPSUAT
Safety module application	Monitoring antivalent contacts For emergency stop, guard and light curtain monitoring Monitoring of pressure-sensitive 4-wire protective devices
Function of module	Emergency stop button with 2 NC contacts Guard monitoring with 1 or 2 limit switches Monitoring 2 PNP sensors Magnetic switch monitoring Light curtain monitoring RFID switch Monitoring of electro-sensitive protection equipment (ESPE) Sensing mat/edges Proximity sensor monitoring Monitoring 1 PNP + 1 NPN sensor
Safety level	Can reach PL e/category 4 for normally open relay contact conforming to ISO 13849-1 Can reach SILCL 3 for normally open relay contact conforming to IEC 62061 Can reach SIL 3 for normally open relay contact conforming to IEC 61508 Can reach PL c/category 1 for normally closed relay contact conforming to ISO 13849-1 Can reach SILCL 1 for normally closed relay contact conforming to IEC 62061 Can reach SIL 1 for normally closed relay contact conforming to IEC 61508
Safety reliability data	MTTFd > 30 years conforming to ISO 13849-1 Dcavg >= 99 % conforming to ISO 13849-1 PFHd = 1.47E-09 conforming to ISO 13849-1 for SS0 PFHd = 1.48E-09 conforming to ISO 13849-1 for SS1 HFT = 1 conforming to IEC 62061 PFHd = 1.47E-09 conforming to IEC 62061 for SS0 PFHd = 1.48E-09 conforming to IEC 62061 for SS1 SFF > 99% conforming to IEC 62061 HFT = 1 conforming to IEC 61508-1 PFHd = 1.47E-09 conforming to IEC 61508-1 for SS0 PFHd = 1.48E-09 conforming to IEC 61508-1 for SS1 SFF > 99% conforming to IEC 61508-1 Type = B conforming to IEC 61508-1
Electrical circuit type	NC pair PNP pair Antivalent pair OSSD pair
Connections - terminals	Removable spring terminal block, 0.2...2.5 mm ² solid or flexible Removable spring terminal block, 0.25...2.5 mm ² flexible with ferrule single conductor Removable spring terminal block, 0.2...1.5 mm ² solid or flexible twin conductor Removable spring terminal block, 2 x 0.25...1 mm ² flexible with ferrule without cable end, with bezel Removable spring terminal block, 2 x 0.5...1.5 mm ² flexible with ferrule with cable end, with bezel
[Us] rated supply voltage	48...240 V AC/DC - 10...10 %

Complementary

Synchronisation time between inputs	0.5 s 2 s
-------------------------------------	--------------

4 s

Type of start	Automatic/manual/monitored
Power consumption in W	4 W 48 V DC
Power consumption in VA	10 VA 240 V AC 50/60 Hz
Input protection type	Internal, electronic
Safety outputs	1 NC configurable 3 NO configurable 3 NO immediate
Safety inputs	2 positive safety input 24 V DC 8 mA 1 negative safety input
Maximum wire resistance	500 Ohm
Time delay range	0...900 s off delay
Input compatibility	Normally closed circuit conforming to ISO 14119 XC limit switch conforming to ISO 14119 Mechanical contact conforming to ISO 14119 Normally closed circuit conforming to ISO 13850 Antivalent pair conforming to ISO 14119 OSSD pair conforming to IEC 61496-1-2 3-wire proximity sensors PNP
[Ie] rated operational current	5 A AC-1 for normally open relay contact 3 A AC-15 for normally open relay contact 5 A DC-1 for normally open relay contact 3 A DC-13 for normally open relay contact 3 A AC-1 for normally closed relay contact 1 A AC-15 for normally closed relay contact 3 A DC-1 for normally closed relay contact 1 A DC-13 for normally closed relay contact
Control outputs	4 on/off configurable pulsed output
Input/Output type	Pulsed output for diagnostics 24 V DC, 20 mA Z1, not safety-related Semiconductor output 24 V DC, 20 mA Z2, not safety-related
[I_{th}] conventional free air thermal current	16 A
Associated fuse rating	10 A gG for NO relay output circuit conforming to IEC 60947-1
Minimum output current	20 mA for relay output
Minimum output voltage	24 V for relay output
Maximum response time on input open	20 ms
[U_i] rated insulation voltage	250 V (pollution degree 2) conforming to EN/IEC 60947-1
[U_{imp}] rated impulse withstand voltage	4 kV overvoltage category II conforming to EN/IEC 60947-1
Mounting support	35 mm symmetrical DIN rail
Depth	120 mm
Height	100 mm
Width	45 mm
Net weight	0.350 kg

Environment

Standards	IEC 60947-5-1 IEC 61508-1 functional safety standard IEC 61508-2 functional safety standard IEC 61508-3 functional safety standard IEC 61508-4 functional safety standard IEC 61508-5 functional safety standard IEC 61508-6 functional safety standard IEC 61508-7 functional safety standard ISO 13849-1 functional safety standard IEC 62061 functional safety standard
Product certifications	TÜV cULus
IP degree of protection	IP54 (mounting area) conforming to EN/IEC 60947-1

IP40 (housing) conforming to EN/IEC 60947-1
IP20 (terminals) conforming to EN/IEC 60947-1

Ambient air temperature for storage	-25...85 °C
Relative humidity	5...95 % non-condensing

Packing Units

Unit Type of Package 1	PCE
Number of Units in Package 1	1
Package 1 Height	6.800 cm
Package 1 Width	14.000 cm
Package 1 Length	15.800 cm
Package 1 Weight	460.000 g
Unit Type of Package 2	S03
Number of Units in Package 2	16
Package 2 Height	30.000 cm
Package 2 Width	30.000 cm
Package 2 Length	40.000 cm
Package 2 Weight	8.170 kg

Offer Sustainability

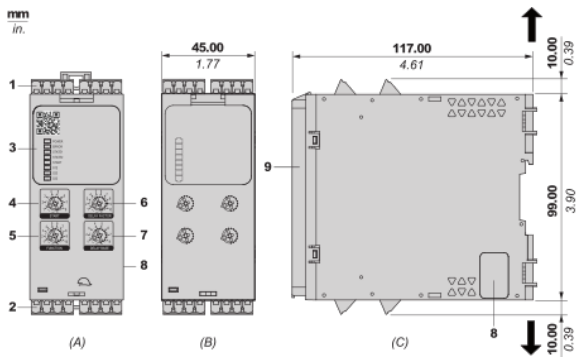
Sustainable offer status	Green Premium product
REACH Regulation	REACH Declaration
EU RoHS Directive	Pro-active compliance (Product out of EU RoHS legal scope) EU RoHS Declaration
Mercury free	Yes
China RoHS Regulation	China RoHS declaration
RoHS exemption information	Yes
Environmental Disclosure	Product Environmental Profile
Circularity Profile	End of Life Information
WEEE	The product must be disposed on European Union markets following specific waste collection and never end up in rubbish bins
PVC free	Yes

Contractual warranty

Warranty	18 months
----------	-----------

Dimensions

Front and Side Views

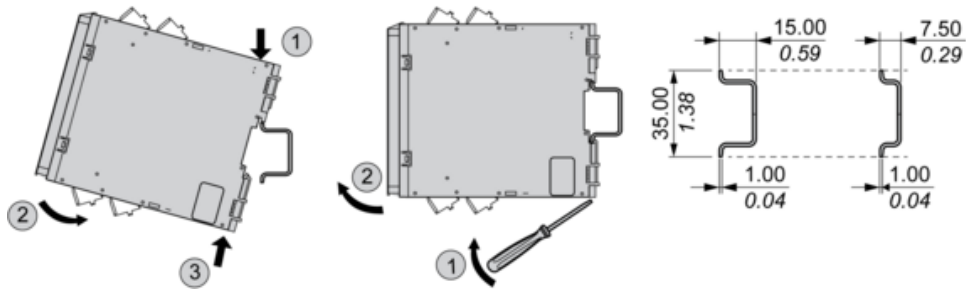


- (A) : Product drawing
- (B) : Spring Terminal
- (C) : Side view
- (1) : Removable terminal blocks, top
- (2) : Removable terminal blocks, bottom
- (3) : LED indicators
- (4) : Start function selector
- (5) : Function selector
- (6) : Delay factor selector
- (7) : Delay base selector
- (8) : Connector for optional output extension module (lateral)
- (9) : Sealable transparent cover

mm in.	12.0 0.47					
mm ²		0,2...2,5	0,25...2,5	0,2...1,5	0,25...1	0,5...1,5
AWG		24...12	24...12	24...16	24...18	20...16

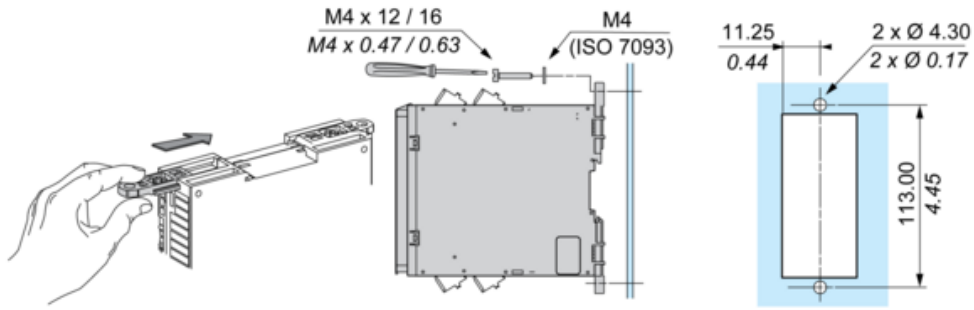
Mounting to DIN rail

mm
in.

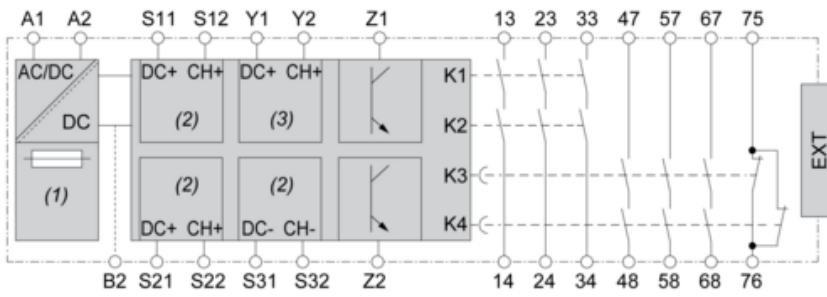


Screw-mounting

mm
in.



Wiring Drawing



- (1) : A1-A2 (Power supply)
- (2) : S11-S12-S21-S22-S31-S32 (Single-channel safety input)
- (3) : Y1-Y2 (Start)
- 13-23-33-47-57-67-75-14-24-34-48-58-68-76 : Output
- EXT : Connector for optional extension module
- B2 : Common ground terminal
- Z1 : Pulsed output for diagnostics, not safety-related
- Z2 : Solid state output, not safety-related

Recommended replacement(s)