

# Product datasheet

Specifications



## Preventa module Cat.4 Expansion use with Universal range 48-240vac/ dc spring

XPSUEP34AC

EAN Code : 3606489601782

### Main

Range of product	Harmony Safety Automation
Product or component type	Safety module
Safety module name	XPSUEP
Safety module application	For extending number of safety contacts
Function of module	Safety output extension

Safety level	Can reach PL e/category 4 for normally open relay contact conforming to ISO 13849-1 Can reach SILCL 3 for normally open relay contact conforming to IEC 62061 Can reach SIL 3 for normally open relay contact conforming to IEC 61508 Can reach PL c/category 1 for normally closed relay contact conforming to ISO 13849-1 Can reach SILCL 1 for normally closed relay contact conforming to IEC 62061 Can reach SIL 1 for normally closed relay contact conforming to IEC 61508
--------------	--

Safety reliability data	MTTFd > 30 years conforming to ISO 13849-1 Dcavg >= 99 % conforming to ISO 13849-1 PFHd = 1.61E-09 conforming to ISO 13849-1 HFT = 1 conforming to IEC 62061 PFHd = 1.61E-09 conforming to IEC 62061 SFF > 99% conforming to IEC 62061 HFT = 1 conforming to IEC 61508-1 PFHd = 1.61E-09 conforming to IEC 61508-1 SFF > 99% conforming to IEC 61508-1 Type = B conforming to IEC 61508-1
-------------------------	--

Electrical circuit type	Addition to Preventa XPSU base module
-------------------------	---------------------------------------

Connections - terminals	Removable spring terminal block, 0.2...2.5 mm <sup>2</sup> solid or flexible Removable spring terminal block, 0.25...2.5 mm <sup>2</sup> flexible with ferrule single conductor Removable spring terminal block, 0.2...1.5 mm <sup>2</sup> solid or flexible twin conductor Removable spring terminal block, 2 x 0.25...1 mm <sup>2</sup> flexible with ferrule without cable end, with bezel Removable spring terminal block, 2 x 0.5...1.5 mm <sup>2</sup> flexible with ferrule with cable end, with bezel
-------------------------	---

[Us] rated supply voltage	48...240 V AC/DC - 10...10 %
---------------------------	------------------------------

### Complementary

Power consumption in W	2 W 48 V DC
------------------------	-------------

Power consumption in VA	6.5 VA 240 V AC 50/60 Hz
-------------------------	--------------------------

Input protection type	Internal, electronic
-----------------------	----------------------

Safety outputs	4 NO redundant 2 NC single
----------------	-------------------------------

Safety inputs	0 extension bus 24 V DC 5 mA
---------------	------------------------------

Maximum line resistance	60 Ohm
-------------------------	--------

Input compatibility	Normally closed circuit conforming to ISO 14119 XC limit switch conforming to ISO 14119 Mechanical contact conforming to ISO 14119 Normally closed circuit conforming to ISO 13850 Antivalent pair conforming to ISO 14119
---------------------	--

OSSD pair conforming to IEC 61496-1-2  
3-wire proximity sensors PNP

<b>[Ie] rated operational current</b>	5 A AC-1 for normally open relay contact 3 A AC-15 for normally open relay contact 5 A DC-1 for normally open relay contact 3 A DC-13 for normally open relay contact
<b>[Ith] conventional free air thermal current</b>	8 A
<b>Associated fuse rating</b>	10 A gG for NO relay output circuit conforming to IEC 60947-1 4 A gG for NC relay output circuit conforming to IEC 60947-1
<b>Minimum output current</b>	10 mA for relay output
<b>Minimum output voltage</b>	12 V for relay output
<b>Maximum response time on input open</b>	20 ms
<b>[Ui] rated insulation voltage</b>	250 V (pollution degree 2) conforming to EN/IEC 60947-1
<b>[Uimp] rated impulse withstand voltage</b>	4 kV overvoltage category II conforming to EN/IEC 60947-1
<b>Local signalling</b>	LED (green) for power ON LED (red) for error LED (yellow) for safety output status
<b>Mounting support</b>	35 mm symmetrical DIN rail
<b>Depth</b>	120 mm
<b>Height</b>	100 mm
<b>Width</b>	22.5 mm
<b>Net weight</b>	0.200 kg

## Environment

<b>Standards</b>	IEC 60947-5-1 IEC 61508-1 functional safety standard IEC 61508-2 functional safety standard IEC 61508-3 functional safety standard IEC 61508-4 functional safety standard IEC 61508-5 functional safety standard IEC 61508-6 functional safety standard IEC 61508-7 functional safety standard ISO 13849-1 functional safety standard IEC 62061 functional safety standard
<b>Product certifications</b>	TÜV cULus
<b>IP degree of protection</b>	IP20 (terminals) conforming to EN/IEC 60529 IP40 (housing) conforming to EN/IEC 60529 IP54 (mounting area) conforming to EN/IEC 60529
<b>Ambient air temperature for storage</b>	-25...85 °C
<b>Relative humidity</b>	5...95 % non-condensing

## Packing Units

<b>Unit Type of Package 1</b>	PCE
<b>Number of Units in Package 1</b>	1
<b>Package 1 Height</b>	6.800 cm
<b>Package 1 Width</b>	14.000 cm
<b>Package 1 Length</b>	15.800 cm
<b>Package 1 Weight</b>	305.000 g
<b>Unit Type of Package 2</b>	S01
<b>Number of Units in Package 2</b>	2
<b>Package 2 Height</b>	15.000 cm

Package 2 Width	15.000 cm
Package 2 Length	40.000 cm
Package 2 Weight	926.000 g

## Offer Sustainability

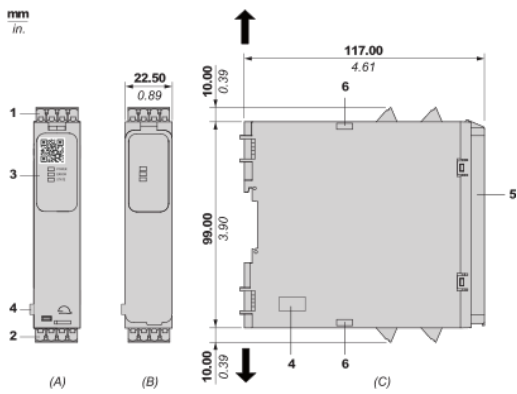
Sustainable offer status	Green Premium product
REACH Regulation	<a href="#">REACH Declaration</a>
EU RoHS Directive	Pro-active compliance (Product out of EU RoHS legal scope) <a href="#">EU RoHS Declaration</a>
Mercury free	Yes
China RoHS Regulation	<a href="#">China RoHS declaration</a>
RoHS exemption information	Yes
Environmental Disclosure	<a href="#">Product Environmental Profile</a>
Circularity Profile	<a href="#">End of Life Information</a>
WEEE	The product must be disposed on European Union markets following specific waste collection and never end up in rubbish bins
PVC free	Yes

## Contractual warranty

Warranty	18 months
----------	-----------

**Dimensions**

**Front and Side Views**

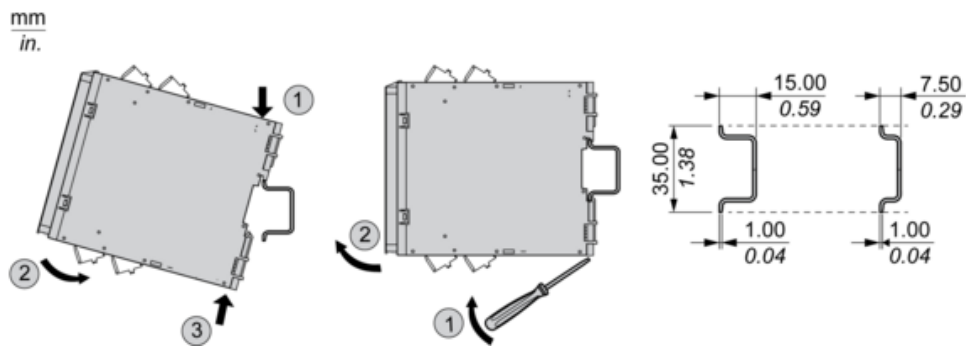


- (A) : Product drawing
- (B) : Spring Terminal
- (C) : Side view
- (1) : Removable terminal blocks, top
- (2) : Removable terminal blocks, bottom
- (3) : LED indicators
- (4) : Connector for base safety module
- (5) : Sealable transparent cover
- (6) : Position of clips for mounting to base safety module

mm in.	12.0 0.47					
mm <sup>2</sup>		0,2...2,5	0,25...2,5	0,2...1,5	0,25...1	0,5...1,5
AWG		24...12	24...12	24...16	24...18	20...16

## Mounting to DIN rail

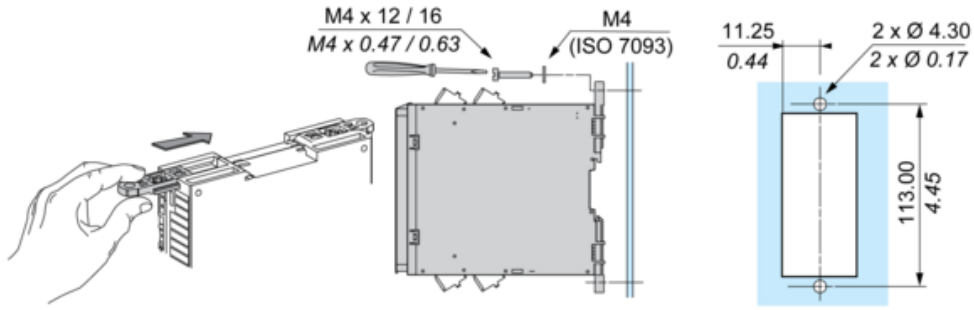
---



## Screw-mounting

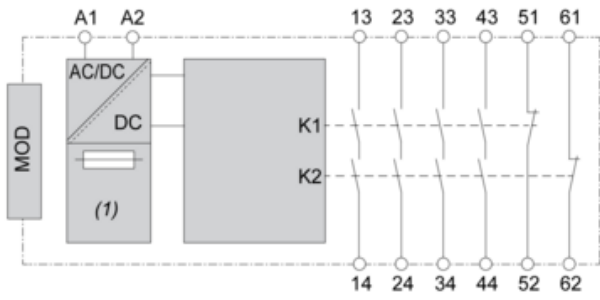
---

mm  
in.



**Wiring Drawing**

---



(1) : A1-A2 (Power supply)

13-23-33-43-51-61-14-24-34-44-52-62 : Output

MOD : Connector for base safety module

**Recommended replacement(s)**