

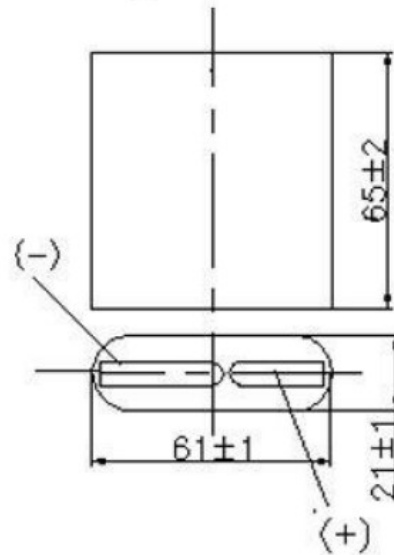
Product Datasheet

ZINK CARBON

3R12



3R12



Dimension	IEC Dimensions (mm)	
	Maximum	Minimum
H	67	65
W	62	61
D	22	21

Name	3R12
Type	Zink chloride
Made in	China
Nominal Voltage	4,5 V
Operating temperature	-20°C ~ 50°C
Average weight	110 g
Internal impedance (after discharge to E.V.=1.0V)	Approx. 20mΩ (at 1000Hz)
Rated Capacity	1300 mAh

Copyright© Advance Power Solutions NV 2022 — All rights reserved. The information contained herein is believed to be correct. However no warranty is made, either expressed or implied regarding the accuracy or the results to be obtained from the use of such information. Test results are according to IEC conditions. Capacities of batteries are depending on drain, temperature and cut-off voltage. Data are subject to change without prior notification.
October 2022.