

Product datasheet

Specifications



Processor module, Modicon M580, CoProcessor Safety

BMEP58CPROS3

Main

Range of product	Modicon M580
Product or component type	Processor module

Complementary

Current consumption	295 mA at 24 V DC
MTBF reliability	946000 H
Marking	CE

Environment

Vibration resistance	3 gn
Shock resistance	15 gn
Ambient air temperature for operation	-25...60 °C
Ambient air temperature for storage	-40...85 °C
Operating altitude	0...2000 m 2000...5000 m with derating factor
Relative humidity	5...95 % at 55 °C without condensation
IP degree of protection	IP20
Directives	2014/30/EU - electromagnetic compatibility 2006/42/EC - machinery 2014/34/EU - ATEX directive

Product certifications	CE UL CSA RCM EAC Merchant Navy ATEX zone 2/22 IECEX zone 2/22 TÜV
------------------------	--

Standards	EN/IEC 61131-2 EN/IEC 61010-2-201 UL 61010-2-201 CSA C22.2 No 61010-2-201 IACS E10 EN/IEC 61000-6-5, interface type 1 and type 2 EN/IEC 61850-3, location G EN/IEC 60079-0
-----------	---

Environmental characteristic	Hazardous location class I division 2 Gas resistant class Gx conforming to ISA S71.04 Gas resistant class 3C4 conforming to IEC 60721-3-3
------------------------------	---

Dust resistant class 3S4 conforming to IEC 60721-3-3
 Sand resistant class 3S4 conforming to IEC 60721-3-3
 Salt resistant level 2 conforming to IEC 68252
 Mold growth resistant class 3B2 conforming to IEC 60721-3-3
 Fungal spore resistant class 3B2 conforming to IEC 60721-3-3

Protective treatment	Conformal coating
Safety level	SIL 3 PL = e
Supply	Internal power supply via rack
Status LED	1 LED (green) processor running (RUN) 1 LED (red) processor or system fault (ERR) 1 LED (green) download in progress (DL) 1 LED (green) processor in safety mode (SRUN) 1 LED (green) processor in maintenance mode (SMOD)
Net weight	0.849 kg

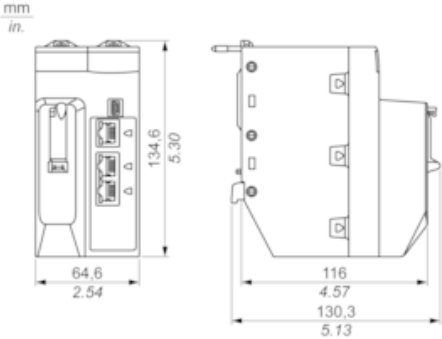
Packing Units

Unit Type of Package 1	PCE
Number of Units in Package 1	1
Package 1 Height	9.0 cm
Package 1 Width	18.9 cm
Package 1 Length	25.2 cm
Package 1 Weight	830.0 g
Unit Type of Package 2	S03
Number of Units in Package 2	6
Package 2 Height	30.0 cm
Package 2 Width	30.0 cm
Package 2 Length	40.0 cm
Package 2 Weight	5.452 kg

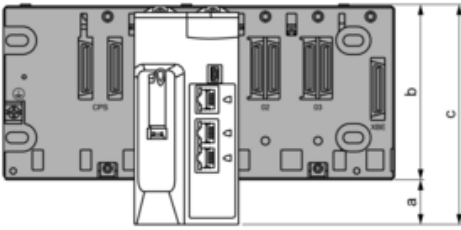
Offer Sustainability

Sustainable offer status	Green Premium product
REACH Regulation	REACH Declaration
EU RoHS Directive	Pro-active compliance (Product out of EU RoHS legal scope) EU RoHS Declaration
Mercury free	Yes
China RoHS Regulation	China RoHS declaration
RoHS exemption information	Yes
Circularity Profile	End of Life Information
WEEE	The product must be disposed on European Union markets following specific waste collection and never end up in rubbish bins

CPU Module Only



Modules Mounted on Racks

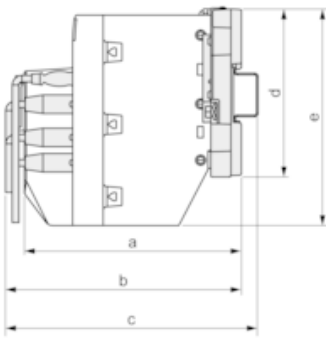


a: additional space below the rack to accommodate the height of the CPU. For an X Bus rack, the value is 30.9 mm (1.217 in.); for an Ethernet rack, the value is 29.49 mm (1.161 in.).

b: the height of the rack. For an X Bus rack, the height is 103.7 mm (4.083 in.); for an Ethernet rack, the height is 105.11 mm (4.138 in.).

c: the height of the main local rack, 134.6 mm (5.299 in.)

Modules and Cables Mounted in an Enclosure



a: enclosure depth: 135 mm (5.315 in.)

b: wiring + module depth: > 146 mm (5.748 in.)

c: wiring + module + DIN rail depth: > 156 mm (6.142 in.)

d: rack height: for an X Bus rack 103.7 mm (4.083 in.); for an Ethernet rack, 105.11 mm (4.138 in.)

e: module height: 134.6 mm (5.299 in.)

Recommended replacement(s)