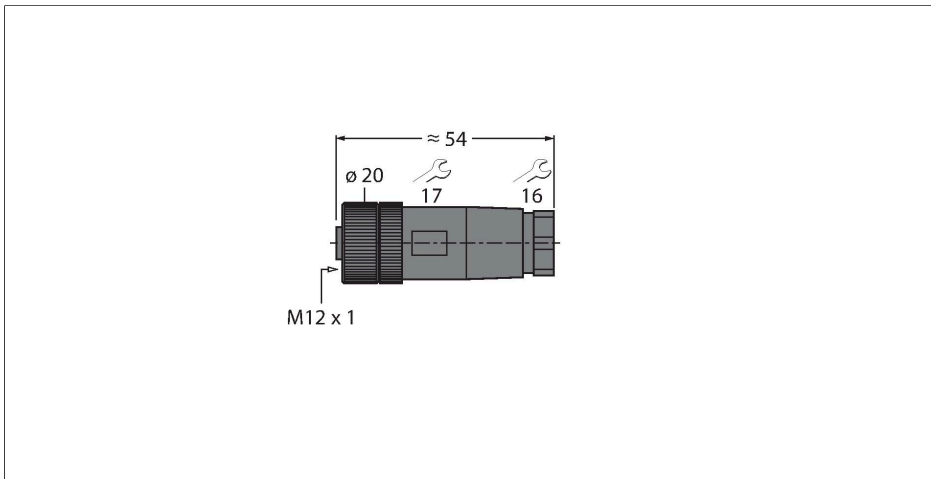


# B8151-0/PG9

## Field-Wireable Connector

### Female Connector M12 × 1, Straight

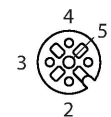


#### Features



- For use in DeviceNet™/CANopen applications
- A-coding
- Screw-clamp terminal
- 5-pin
- PG9 screw-in thread
- Cable feedthrough 6.0...8.0 mm

#### Contact assignment



#### Heading wiring diagram 3

RFID pin assignment (S2500)



#### Technical data

Type	B8151-0/PG9
ID	6904604
Connector A	Female, M12 × 1, Straight
Number of Pins	5
Contacts	CuZn, Optalloy Coating
Contact carriers	Plastic, PA, Black
Connector body	Plastic, PA, Black
Coupling nut/screw	PA, Black
Seal	Plastic, FPM/FKM
Screw-in thread	PG9
External diameter of the cable	6...8 mm
Core cross-section/Clamping ability	0.14...0.75 mm <sup>2</sup>
Connection mode	Screw/clamp connection
Mechanical lifespan	> 50 Mating cycles
Protection class	IP67, (screwed together)
Network protocol	DeviceNet CANopen
<b>Electrical properties at +20 °C</b>	
Rated voltage	125 V
Current	4 A
Insulation resistance	≥ 10 <sup>8</sup> Ω
forward resistance	≤ 8 mΩ
<b>Mechanical and chemical properties</b>	
Ambient temperature range (stationary)	-40 °C...+85 °C