

Title of Change:	Removal of white marking at bottom of QSB363 T-3/4 package.
Effective date:	10 Oct 2023
Contact information:	Contact your local onsemi Sales Office or Esther.Lau@onsemi.com
Type of notification:	This Product Bulletin is for notification purposes only. onsemi will proceed with implementation of this change upon publication of this Product Bulletin.
Change Category:	Removal of white marking at bottom package.
Change Sub-Category(s):	Removal of white marking at bottom package.

Sites Affected:

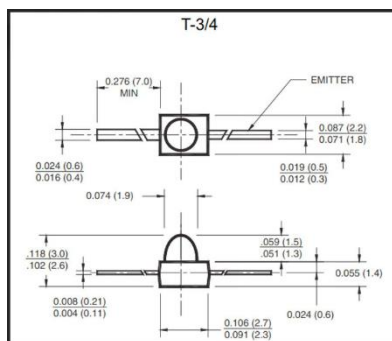
onsemi Sites	External Foundry/Subcon Sites
None	None

Description and Purpose:

This Product Bulletin documents the removal of the white marking at emitter side at the bottom of QSB363 T-3/4 package. Pin orientation is already indicated in the datasheet.



Pin orientation as indicated in datasheet:



List of Affected Standard Parts:

Note: Only the standard (off the shelf) part numbers are listed in the parts list. Any custom parts affected by this PCN are shown in the customer specific PCN addendum in the PCN email notification, or on the [PCN Customized Portal](#).

QSB363ZR	QSB363YR	QSB363GR
QSB363		