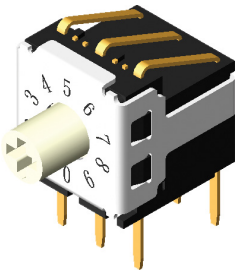


RoHS  
Compliant



## Application

- Instrumentation
- Industrial automation
- Building & Home automation

## Features

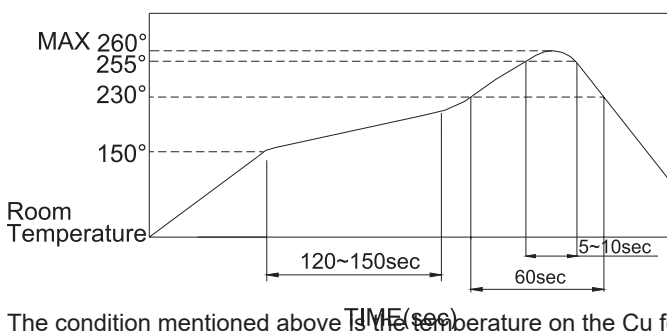
- Vertical and right angle types
- Miniature size with stainless steel cover
- Low profile (3mm)
- Halogen Free

## Specifications

Contact Rating	: 25mA, 24V DC
Contact Resistance	: 100mΩ Max.
Insulation Resistance	: 100MΩ Min. 100V DC
Dielectric Strength	: 250V AC/1 minute
Operating Force	: 200gf cm Max.
Travel	: 2mm
Operating Life	: 10000 cycles
Operating Temperature	: -30°C to +80°C
Storage Temperature	: -40°C to +85°C

## Soldering Conditions

Condition for Soldering- MP-DHA Series



The condition mentioned above is the temperature on the Cu foil of the PCB surface.

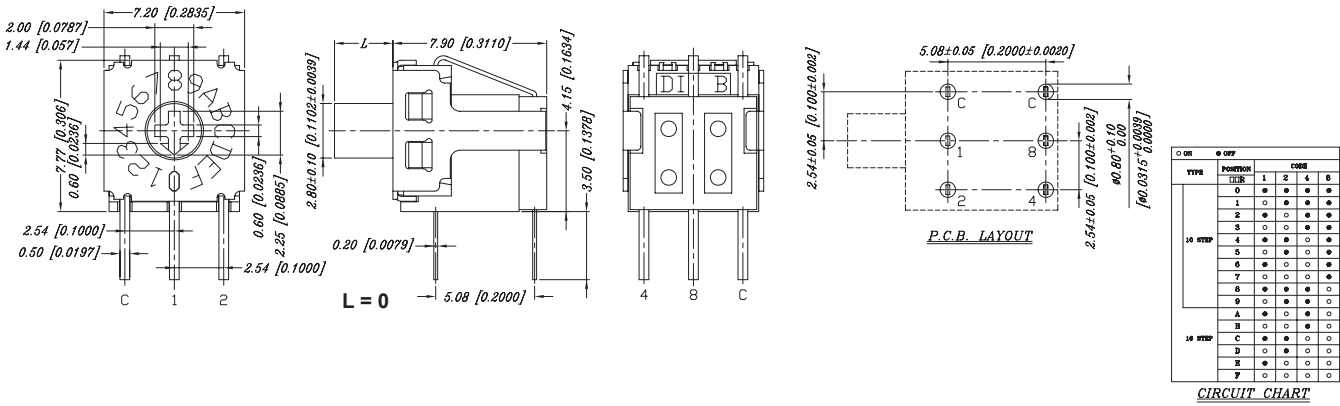
There are cases where board's temperature greatly differs from switch's surface temperature depending on board's material, size, thickness, etc. Care, therefore, should be used not to allow switch's surface temperature to exceed 260°C.

## Manual Soldering

Soldering Temperature	Max. 350°C
Continuous Soldering Time	Max. 5 seconds

# Rotary Coded Switch

## Diagram



## Part Number Table

Description	Part Number
Rotary Coded Switch, Hex Slot, 25mA, 24V DC	MP-R7V3-16RA-V-B

Dimensions : Millimetres

**Important Notice :** This data sheet and its contents (the "Information") belong to the members of the AVNET group of companies (the "Group") or are licensed to it. No licence is granted for the use of it other than for information purposes in connection with the products to which it relates. No licence of any intellectual property rights is granted. The Information is subject to change without notice and replaces all data sheets previously supplied. The Information supplied is believed to be accurate but the Group assumes no responsibility for its accuracy or completeness, any error in or omission from it or for any use made of it. Users of this data sheet should check for themselves the Information and the suitability of the products for their purpose and not make any assumptions based on information included or omitted. Liability for loss or damage resulting from any reliance on the Information or use of it (including liability resulting from negligence or where the Group was aware of the possibility of such loss or damage arising) is excluded. This will not operate to limit or restrict the Group's liability for death or personal injury resulting from its negligence. Multicomp Pro is the registered trademark of Premier Farnell Limited 2019.

Newark.com/multicomp-pro  
 Farnell.com/multicomp-pro  
 sg.element14.com/b/multicomp-pro