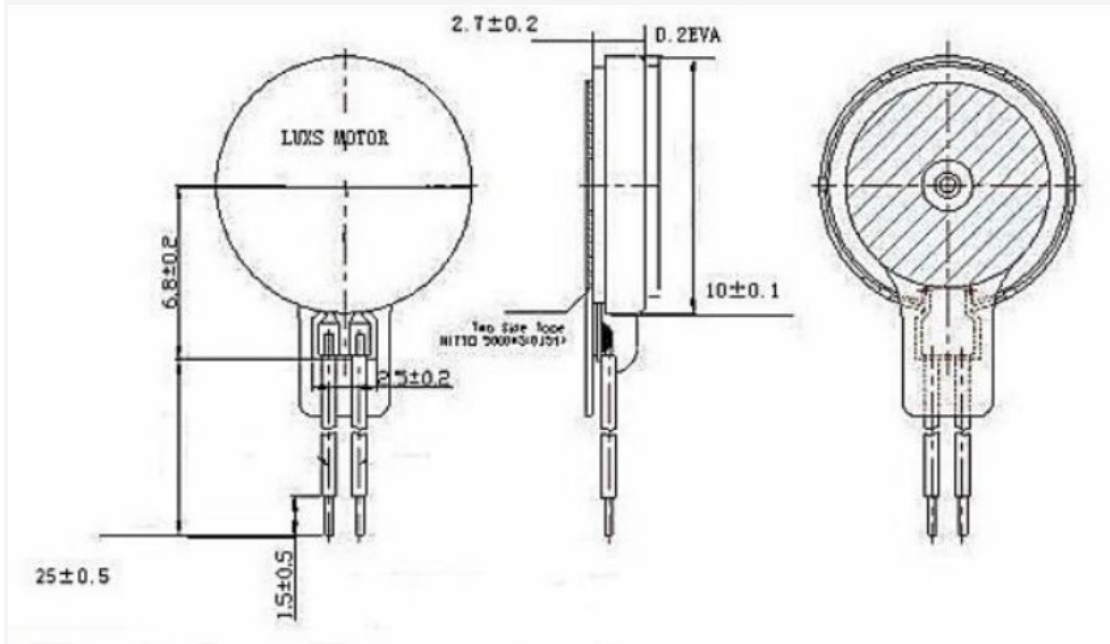


INTRODUCTION

Just as small as a fingernail, this 10*2.7mm mini vibration motor features a strong vibration, low noise, easy to embed, and long lifespan. Powered by voltage from 1.5V to 4.2V, it will vibrate once powered on, and the higher the voltage is, the faster the vibration frequency will be. It is widely applicable to projects like mobile phones, watches, facial massager, electric toys, etc.



Dimension

SPECIFICATION

- Operating Voltage: DC1.5-4.2V
- Rated Voltage: 3V
- Rated Current: 50mA
- RPM: 11000±2500rpm
- Dimension: 10mm(0.39")(Diameter); 2.7mm(0.11")(Thickness)
- Working Temperature: -50°C~+60°C
- Storage Temperature: -30°C~+70°C
- Continuous service life: 72h@3.7V

SHIPPING LIST

- Mini Vibration Motor (10*2.7mm) x1