

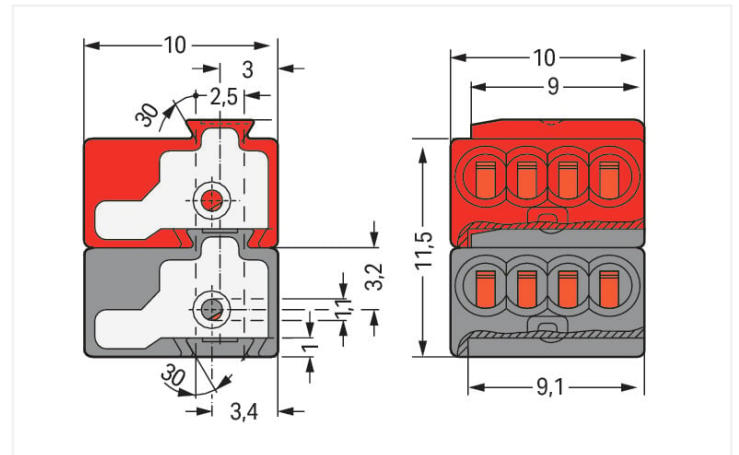
Data Sheet | Item Number: 243-211

4-conductor modular PCB connector; PUSH WIRE®; 0.8 mm Ø; Pin spacing 5.75 mm; 2-pole; for individual solder pins; for KNX; dark gray/red

<https://www.wago.com/243-211>



Color: dark gray/red



Dimensions in mm

- Compact, 4-conductor KNX/EIB connectors with PUSH WIRE® connection
- Push-in termination of solid conductors
- Four-conductor entries allow devices to be replaced without disrupting the KNX/EIB bus connection

Electrical data

Ratings per	IEC/EN 60664-1		
Overvoltage category	III	III	II
Pollution degree	3	2	2
Nominal voltage	250 V	100 V	630 V
Rated surge voltage	4 kV	4 kV	4 kV
Rated current	6 A	6 A	6 A

Connection data

Connection points	8
Total number of potentials	2
Number of connection types	1
Number of levels	1

Connection 1

Connection technology	PUSH WIRE®
Solid conductor	22 ... 20 AWG
Conductor diameter	0.6 ... 0.8 mm / 22 ... 20 AWG
Conductor diameter (note)	When using different conductor diameters
Strip length	5 ... 6 mm / 0.2 ... 0.24 inches
Pole number	2

Connection 2

Solid conductor 2	18 AWG
Conductor diameter 2	1 mm / 18 AWG
Conductor diameter (note) 2	When using identical conductor diameters

Physical data

Width	10 mm / 0.394 inches
Height	11.5 mm / 0.453 inches
Depth	10 mm / 0.394 inches

Plug-in connection

Contact type (pluggable connector)	Female connector/socket
Connector (connection type)	for conductor

Material data

Note (material data)	Information on material specifications can be found here
Color	dark gray/red
Material group	I
Insulation material	Polyamide (PA66)
Flammability class per UL94	V0
Clamping spring material	Chrome-nickel spring steel (CrNi)
Contact material	Electrolytic copper (E _{cu})
Contact plating	Tin
Fire load	0.024 MJ
Weight	1.5 g

Environmental requirements

Limit temperature range	-60 ... +105 °C
Continuous operating temperature	-60 °C

Commercial data

eCl@ss 10.0	27-14-11-04
eCl@ss 9.0	27-14-11-04
ETIM 8.0	EC000446
ETIM 7.0	EC000446
PU (SPU)	500 (50) pcs
Packaging type	Box
Country of origin	DE
GTIN	4055143962315
Customs tariff number	85369010000

Environmental Product Compliance

RoHS Compliance Status	Compliant, No Exemption
------------------------	-------------------------

Approvals / Certificates

General approvals



Approval	Standard	Certificate Name
UR Underwriters Laboratories Inc.	UL 1059	E45172

Downloads

Environmental Product Compliance

Compliance Search

Environmental Product Compliance 243-211	↓
--	---

Documentation

Additional Information

Technical Section	03.04.2019	pdf 2010.85 KB	↓
-------------------	------------	-------------------	---

CAD/CAE-Data

CAD data

2D/3D Models 243-211	↓
----------------------	---

CAE data

EPLAN Data Portal 243-211	↓
WSCAD Universe 243-211	↓
ZUKEN Portal 243-211	↓

Installation Notes

