



TAOGLAS®



Datasheet

Part No:
MB.A.MX1

Description

Screw Mount Bracket for MagmaX AA.17X Series

Features:

Screw Mount

Hole Dimensions: \varnothing 5mm

Dimensions: 86.2 x 56.8 x 15.3mm

RoHS & REACH Compliant

1.	Introduction	2
2.	Specification	3
3.	Mechanical Drawing	4
4.	Packaging	5
<hr/>		
	Changelog	6

Taoglas makes no warranties based on the accuracy or completeness of the contents of this document and reserves the right to make changes to specifications and product descriptions at any time without notice. Taoglas reserves all rights to this document and the information contained herein. Reproduction, use or disclosure to third parties without express permission is strictly prohibited.



1. Introduction



The Taoglas MB.A.MX1 is a robust screw mount bracket, designed for secure installation of the MagmaX AA.17X Series where a bracket is the preferred method of mounting the antenna. The MagmaX AA.17X Series, can be used with this bracket allowing it to be mounted on surfaces where a permanent through hole mount is needed.

Configurations are available to suit your mounting requirements:

- Screw Mount

Contact your regional Taoglas customer support team for further information. This bracket is fully compatible with all of our standard MagmaX AA.17X Series. See table below to find out more:

Part Number	Description
AA.170.301111	Magma X IP67 AA.170 GPS/GLONASS/GALILEO/BeiDou Magnetic Mount Antenna
AA.171.301111	Magma X IP67 AA.171 GPS/GLONASS/Galileo/BeiDou Antenna Dual pin patch, 3M RG-174
AA.175.301111	Magma X IP67 GPS L1/L2 GLONASS Magnetic Mount
AA.178.301111	Magma X IP67 Magnetic Mount GPS L1/L5, External

2. Specification

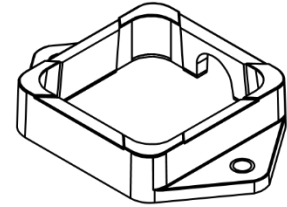
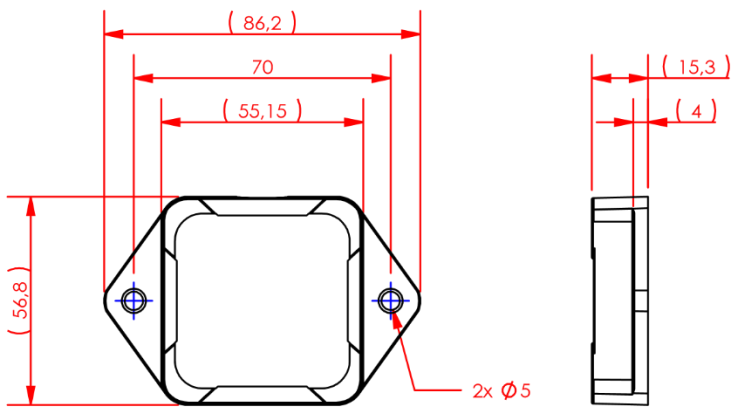
Mechanical	
Dimensions	86.2 x 56.8 x 15.3mm
Material	ABS PC/Nickel Plated Brass
Bracket weight	15g
Environmental	
Operation Temperature	-40°C ~ +85°C
Storage Temperature	-40°C ~ +90°C

3. Mechanical Drawing

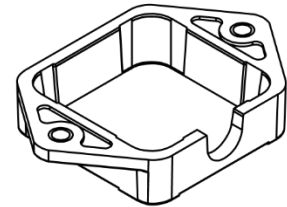
ISO NO.: EDW-23-8-0329

STATE: RELEASE

NOTES: 1.ALL MATERIAL MUST BE ROHS COMPLIANT.



MODEL VIEW



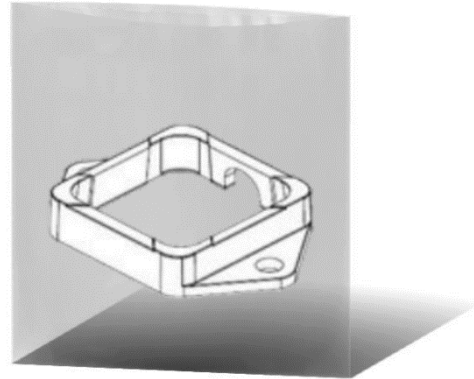
MODEL VIEW

ITEM NO.	DESCRIPTION	QTY
1	AA 17X Series Bracket Plastic	1
2	AA.170 (NOT INCLUDED)	1

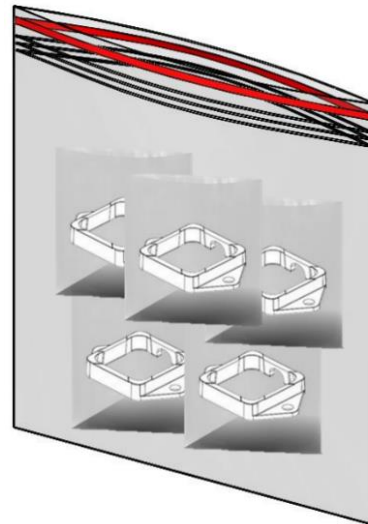
INSTALLATION INSTRUCTIONS

4. Packaging

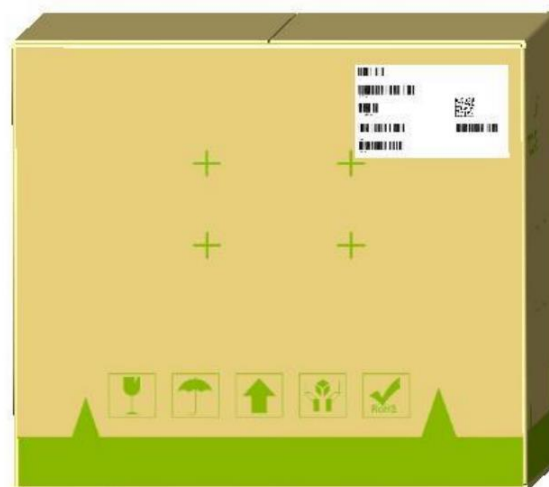
MB.A.MX1
1 pcs / Small PE Bag



30 pcs/ Zipper bag



240 pcs/ per carton
Dimensions – 370x370x300 mm
Weight – 4.5 Kg



Changelog for the datasheet

SPE-23-8-269– MB.A.MX1

Revision: A (Initial Release)

Date:	2023-09-14
Changes:	Initial Release
Changes Made by:	Cesar Sousa

Previous Revisions



www.taoglas.com

