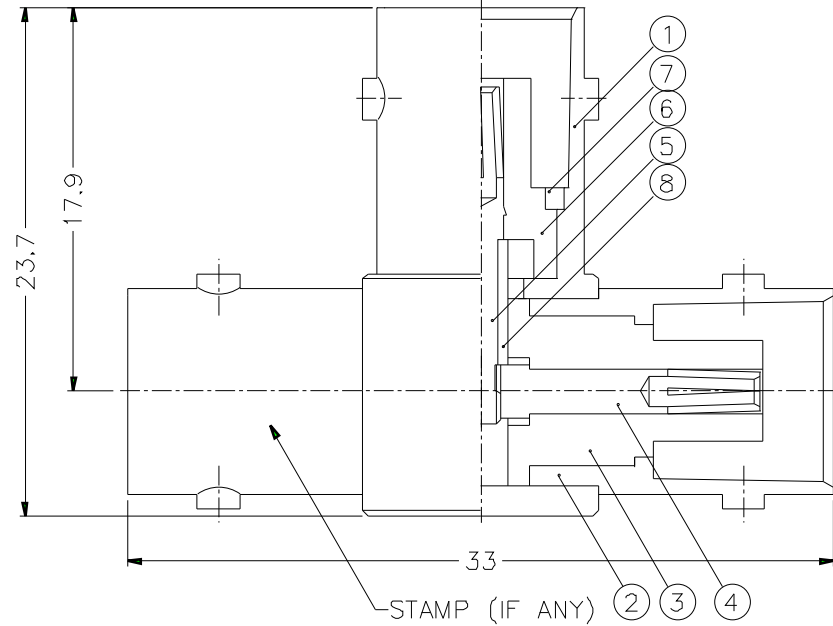


1			2			3			4			5			6			7			8		
REVISIONS																							
ISS	ZONE	DESCRIPTION\PER REQUEST\DATE																					



NOTES: FINISH (PLATING THICKNESS IN MICRO-INCHES)

1. BRASS PER QQ-B-626
2. BRASS PER QQ-B-613
3. PHOSPHOR BRONZE PER QQ-B-750
4. NICKEL PL. 100 MIN. THICK OVER COPPER STRIKE
5. GOLD PL. 3 MIN. THICK OVER NICKEL PL. 100 MIN. THICK OVER COPPER STRIKE

8	SLEEVE	DELTRIN	NATURAL	1	SL-25/17X6	DIMENSIONS ARE IN MILLIMETERS			PART NO.	B8073A1-ND3G-50		<b>Amphenol</b>		
7	LOCK RING	NOTE 2	NOTE 4	1	B7700-4	UNLESS OTHERWISE SPECIFIED TOLERANCES 0.5-6 = ±0.2 6-30 = ±0.4 30-120 = ±0.6 120-315 = ±1 315-1000 = ±1.6 1000-2000 = ±2.4			APPROVED	DATE	10-11-01'			
6	INSULATOR	DELTRIN	NATURAL	1	B8073A1-6-50				CHECKED	DATE	10-11-01'	DRAWING NO.	KJ-B8073A1-ND3G-50	
5	CONTACT PIN	NOTE 3	NOTE 5	1	B8073A1-5				DRAWN	DATE	10-11-01'	ITEM NO.		
4	CONTACT PIN	NOTE 3	NOTE 5	1	B7996-5									
3	INSULATOR	DELTRIN	NATURAL	2	B9073A1-4-50									
2	BODY	NOTE 1	NOTE 4	2	B9073A1-3									
1	HOUSING	NOTE 1	NOTE 4	1	B7995-1									
NO.	DESCRIPTION	MATERIAL	FINISH	Q'TY	DRAWING NO.	SCALE	3/1	ISSUE	A	FILE NO.				

1 2 3 4 5 6 7 8