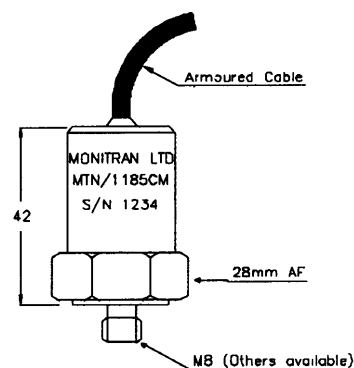


TECHNICAL SPECIFICATION FOR THE MTN/1185 ACCELEROMETER

The 1185 integral electronic industrial accelerometer with a direct velocity output uses the two wire 4-20 mA industry standard, enabling it to be easily interfaced into process control loops.

TECHNICAL DATA

Frequency Response	:	2 Hz to 1 kHz +/- 10 %
Mounted Resonance	:	18 kHz min
Measurement Range	:	50 g peak
Isolation	:	Base isolated
Operating Temp Range	:	- 25 to 80 deg C
Temperature Sensitivity	:	0.08%/C
Electrical Noise	:	0.3 mg max
Transverse Sensitivity	:	Less than 5%
Supply Voltage	:	10-32 Volts (smoothed)
Standard Cable	:	5 Metres Armoured PVC
Case Material	:	Stainless Steel
Weight	:	150 gms (nominal)
Sealing	:	IP67
Options	:	Ranges, Connector, Side Exit Cable, Filters, Mounting Threads, Other Cable Lengths, waterproof



ORDER CODE	MOUNTING	R.M.S. VELOCITY RANGES AVAILABLE
MTN/1185CM8-RANGE	M8 x 12mm MALE	0-10 mm/sec 0-20 mm/sec
MTN/1185CM-RANGE	M10 x 12mm MALE	0-25 mm/sec 0-50 mm/sec
MTN/1185CQ-RANGE	QUICK FIT FEMALE	0-100 mm/sec

All measurements in millimetres

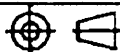
SS0146/C/FARNELL NOS. 7068219/7068268

Monitran reserve the right to alter the specification without prior notice.

MONITRAN LTD

33 Hazlemere Road, Penn. Bucks. HP10 8AD
for further details contact: Telephone: 01494 816569 Fax: 01494 812256

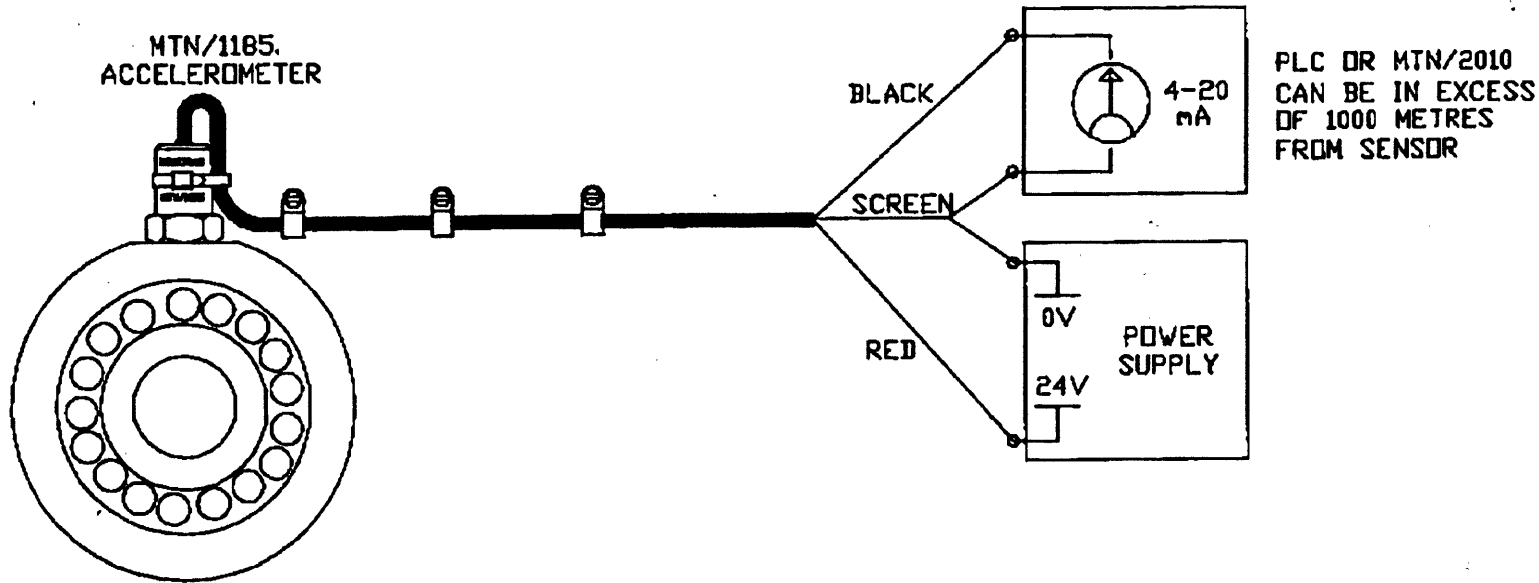
DO NOT SCALE



DRAWN TO BS 308

ALL DIMENSIONS IN MM UNLESS OTHERWISE STATED

THIS DRAWING IS THE PROPERTY OF MONITRAN LIMITED AND MUST NOT BE COPIED OR DISCLOSED TO THIRD PARTIES WITHOUT PRIOR PERMISSION © 1990



Monitran Limited	
TITLE	MTN/1185 SYSTEM CONNECTION
DRAWING NUMBER	SS0499/B
SCALE	NTS
SHEET	1 OF 1

				MATERIAL	DRAWN	DATE	CHECKED	DATE
					JK	29.11.96	DF	29.11.96
				TOLERANCES UNLESS STATED				
				0 or 0.0 ±0.5	FINISH ∇ ALL OVER THREADS g6 H6			
				0.00 ±0.15				
				ANGLES ±5°				
A	RELEASE	JK	29.11.96					
ISS	DESCRIPTION	BY	DATE					