



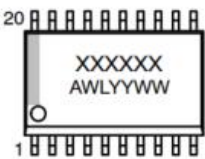
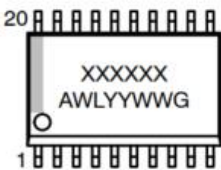
Final Product/Process Change Notification

Document #:FPCN25572X20

Issue Date:29 Nov 2023

Title of Change:	Update to FPCN25572X - Info for SOICW-20 Only		
Proposed First Ship date:	23 Feb 2024 or earlier if approved by customer		
Contact Information:	Contact your local onsemi Sales Office or logic.fpcn@onsemi.com		
PCN Samples Contact:	Contact your local onsemi Sales Office. Sample requests are to be submitted no later than 30 days from the date of first notification, Initial PCN or Final PCN, for this change. Samples delivery timing will be subject to request date, sample quantity and special customer packing/label requirements.		
Additional Reliability Data:	Contact your local onsemi Sales Office or ChangKit.Mok@onsemi.com		
Type of Notification:	This is a Final Product/Process Change Notification (FPCN) sent to customers. FPCNs are issued 90 days prior to implementation of the change. onsemi will consider this change accepted, unless an inquiry is made in writing within 30 days of delivery of this notice. To do so, contact PCN.Support@onsemi.com		
Marking of Parts/ Traceability of Change:	Custom source on label will show TW instead of US to indicate new die source from Vanguard. Changed material may be identified by plant code or lot code too.		
Change Category:	Assembly Change, Wafer Fab Change		
Change Sub-Category(s):	Manufacturing Site Transfer, Datasheet/Product Doc change		
Sites Affected:			
onsemi Sites		External Foundry/Subcon Sites	
onsemi Carmona, Philippines		Greatek Electronics Inc., Taiwan	
		Vanguard International Semiconductor, Taiwan	
Description and Purpose:			
With reference to FPCN25572X , this FPCN presents the information solely for SOICW-20 package.			
	From	To	
Fab Site	Tower Semiconductor	Vanguard International Semiconductor (VIS)	
Wafer Size	150 mm	200 mm	
	From	To	
Assembly Site	onsemi Carmona, Greatek	onsemi Carmona	Greatek
Bond Wire	0.8 mil Au, 0.8 mil Cu	1 mil PCC	1 mil PCC
Die Attach	CRM-1076WB	CRM-1076WB	EN4900GC
Mold Compound	G600, G700	G600	G600F

➤ **Marking change for specified parts listed in the marking embedded excel file:**

	From	To
Product Marking Change	 <p>XXXXXX = Specific Device Code A = Assembly Location WL, L = Wafer Lot Number Y = Year WW, YW = Work Week</p>	 <p>XXXXXX = Specific Device Code A = Assembly Location L/WL = Wafer Lot Y/YY = Year W/WW = Work Week ■ or G = Pb-Free Package</p>

➤ **Case outline drawing update:**

	From	To
Case Outline Document	CASE 751D-05	CASE 751BJ-01

Reliability Data Summary:

➤ Refer to embedded excel RMS O89396 and O89402.

To view attachments:

1. Download pdf copy of the PCN to your computer
2. Open the downloaded pdf copy of the PCN
3. Click on the paper clip icon available on the menu provided in the left/bottom portion of the screen to reveal the Attachment field
4. Then click on the attached file.

Electrical Characteristics Summary:

	From	To
Datasheet	Current Revision	New Revision
Absolute Max Voltage Rating	7 V	6.5 V



Final Product/Process Change Notification

Document #:FPCN25572X20

Issue Date:29 Nov 2023

List of Affected Parts:

Note: Only the standard (off the shelf) part numbers are listed in the parts list. Any custom parts affected by this PCN are shown in the customer specific PCN addendum in the PCN email notification, or on the **PCN Customized Portal**.

Part Number	Qualification Vehicle
MC74HC541ADWR2G	MC74HC244ADWR2G, NLV74HC244ADWR2G
MC74ACT244DWR2G	MC74HC244ADWR2G, NLV74HC244ADWR2G
MC74HCT541ADWR2G	MC74HC244ADWR2G, NLV74HC244ADWR2G
MC74AC244DWR2G	MC74HC244ADWR2G, NLV74HC244ADWR2G
MC74ACT273DWR2G	MC74HC244ADWR2G, NLV74HC244ADWR2G
MC74AC541DWR2G	MC74HC244ADWR2G, NLV74HC244ADWR2G
74ACT245SCX	MC74HC244ADWR2G, NLV74HC244ADWR2G
MC74AC374DWR2G	MC74HC244ADWR2G, NLV74HC244ADWR2G
MC74HC273ADWR2G	MC74HC244ADWR2G, NLV74HC244ADWR2G
MC74ACT245DWR2G	MC74HC244ADWR2G, NLV74HC244ADWR2G
MM74HC244WMX	MC74HC244ADWR2G, NLV74HC244ADWR2G
MC74ACT541DWR2G	MC74HC244ADWR2G, NLV74HC244ADWR2G
MC74AC574DWR2G	MC74HC244ADWR2G, NLV74HC244ADWR2G
MC74AC245DWR2G	MC74HC244ADWR2G, NLV74HC244ADWR2G
MC74HC574ADWR2G	MC74HC244ADWR2G, NLV74HC244ADWR2G
MC74AC273DWR2G	MC74HC244ADWR2G, NLV74HC244ADWR2G
MC74HC245ADWR2G	MC74HC244ADWR2G, NLV74HC244ADWR2G
74AC244SCX	MC74HC244ADWR2G, NLV74HC244ADWR2G
MM74HC573WMX	MC74HC244ADWR2G, NLV74HC244ADWR2G
MC74HC573ADWR2G	MC74HC244ADWR2G, NLV74HC244ADWR2G
74AC541SCX	MC74HC244ADWR2G, NLV74HC244ADWR2G
MC74HC244ADWR2G	MC74HC244ADWR2G, NLV74HC244ADWR2G
MM74HC245AWMX	MC74HC244ADWR2G, NLV74HC244ADWR2G
MC74AC373DWR2G	MC74HC244ADWR2G, NLV74HC244ADWR2G
MC74ACT573DWR2G	MC74HC244ADWR2G, NLV74HC244ADWR2G
MM74HCT541WMX	MC74HC244ADWR2G, NLV74HC244ADWR2G
MC74AC573DWR2G	MC74HC244ADWR2G, NLV74HC244ADWR2G
MC74HCT244ADWR2G	MC74HC244ADWR2G, NLV74HC244ADWR2G
74ACT541SCX	MC74HC244ADWR2G, NLV74HC244ADWR2G



Final Product/Process Change Notification

Document #:FPCN25572X20

Issue Date:29 Nov 2023

MC74ACT373DWR2G	MC74HC244ADWR2G, NLV74HC244ADWR2G
MM74HCT574WMX	MC74HC244ADWR2G, NLV74HC244ADWR2G
74AC240SCX	MC74HC244ADWR2G, NLV74HC244ADWR2G
MC74HCT245ADWR2G	MC74HC244ADWR2G, NLV74HC244ADWR2G
MC74HC540ADWR2G	MC74HC244ADWR2G, NLV74HC244ADWR2G
MM74HC374WM	MC74HC244ADWR2G, NLV74HC244ADWR2G
74ACT244SCX	MC74HC244ADWR2G, NLV74HC244ADWR2G
74AC245SCX	MC74HC244ADWR2G, NLV74HC244ADWR2G
MC74HC373ADWR2G	MC74HC244ADWR2G, NLV74HC244ADWR2G
MC74HCT273ADWR2G	MC74HC244ADWR2G, NLV74HC244ADWR2G
MC74HCT574ADWR2G	MC74HC244ADWR2G, NLV74HC244ADWR2G
MM74HC373WMX	MC74HC244ADWR2G, NLV74HC244ADWR2G
MC74HC374ADWR2G	MC74HC244ADWR2G, NLV74HC244ADWR2G
MC74ACT540DWR2G	MC74HC244ADWR2G, NLV74HC244ADWR2G
MM74HCT244WMX	MC74HC244ADWR2G, NLV74HC244ADWR2G
74ACT244SC	MC74HC244ADWR2G, NLV74HC244ADWR2G
MC74ACT574DWR2G	MC74HC244ADWR2G, NLV74HC244ADWR2G
MM74HC273WMX	MC74HC244ADWR2G, NLV74HC244ADWR2G
74ACT541SC	MC74HC244ADWR2G, NLV74HC244ADWR2G
MM74HC245AWM	MC74HC244ADWR2G, NLV74HC244ADWR2G
MC74HC245ADWG	MC74HC244ADWR2G, NLV74HC244ADWR2G
MM74HC540WMX	MC74HC244ADWR2G, NLV74HC244ADWR2G
MC74HCT573ADWR2G	MC74HC244ADWR2G, NLV74HC244ADWR2G
MM74HC244WM	MC74HC244ADWR2G, NLV74HC244ADWR2G
74ACT245SC	MC74HC244ADWR2G, NLV74HC244ADWR2G
MC74AC273DWG	MC74HC244ADWR2G, NLV74HC244ADWR2G
74AC244SC	MC74HC244ADWR2G, NLV74HC244ADWR2G
MC74ACT273DWG	MC74HC244ADWR2G, NLV74HC244ADWR2G
MC74ACT244DWG	MC74HC244ADWR2G, NLV74HC244ADWR2G
MC74ACT374DWR2G	MC74HC244ADWR2G, NLV74HC244ADWR2G
MM74HC240WMX	MC74HC244ADWR2G, NLV74HC244ADWR2G
MC74ACT541DWG	MC74HC244ADWR2G, NLV74HC244ADWR2G
MC74AC540DWR2G	MC74HC244ADWR2G, NLV74HC244ADWR2G
MM74HCT245WMX	MC74HC244ADWR2G, NLV74HC244ADWR2G



Final Product/Process Change Notification

Document #:FPCN25572X20

Issue Date:29 Nov 2023

MM74HC573WM	MC74HC244ADWR2G, NLV74HC244ADWR2G
MM74HC373WM	MC74HC244ADWR2G, NLV74HC244ADWR2G
MC74HC541ADWG	MC74HC244ADWR2G, NLV74HC244ADWR2G
MM74HC541WM	MC74HC244ADWR2G, NLV74HC244ADWR2G
74AC541SC	MC74HC244ADWR2G, NLV74HC244ADWR2G
MC74AC541DWG	MC74HC244ADWR2G, NLV74HC244ADWR2G
MM74HCT244WM	MC74HC244ADWR2G, NLV74HC244ADWR2G
MC74AC245DWG	MC74HC244ADWR2G, NLV74HC244ADWR2G
MC74ACT377DWR2G	MC74HC244ADWR2G, NLV74HC244ADWR2G
MC74HC273ADWG	MC74HC244ADWR2G, NLV74HC244ADWR2G
74AC540SCX	MC74HC244ADWR2G, NLV74HC244ADWR2G
MC74AC574DWG	MC74HC244ADWR2G, NLV74HC244ADWR2G
MC74AC573DWG	MC74HC244ADWR2G, NLV74HC244ADWR2G
MC74ACT245DWG	MC74HC244ADWR2G, NLV74HC244ADWR2G
MM74HC374WMX	MC74HC244ADWR2G, NLV74HC244ADWR2G
MM74HCT245WM	MC74HC244ADWR2G, NLV74HC244ADWR2G
74ACT240SCX	MC74HC244ADWR2G, NLV74HC244ADWR2G
MC74HC244ADWG	MC74HC244ADWR2G, NLV74HC244ADWR2G
MC74ACT573DWG	MC74HC244ADWR2G, NLV74HC244ADWR2G
MC74HCT245ADWG	MC74HC244ADWR2G, NLV74HC244ADWR2G
MC74AC377DWR2G	MC74HC244ADWR2G, NLV74HC244ADWR2G
MC74HC373ADWG	MC74HC244ADWR2G, NLV74HC244ADWR2G
MM74HC541WMX	MC74HC244ADWR2G, NLV74HC244ADWR2G
MC74HC573ADWG	MC74HC244ADWR2G, NLV74HC244ADWR2G
MC74HCT273ADWG	MC74HC244ADWR2G, NLV74HC244ADWR2G
MC74HCT374ADWR2G	MC74HC244ADWR2G, NLV74HC244ADWR2G
MC74HC240ADWR2G	MC74HC244ADWR2G, NLV74HC244ADWR2G
MC74AC374DWG	MC74HC244ADWR2G, NLV74HC244ADWR2G
MC74AC373DWG	MC74HC244ADWR2G, NLV74HC244ADWR2G
MC74HCT244ADWG	MC74HC244ADWR2G, NLV74HC244ADWR2G
MC74ACT640DWR2G	MC74HC244ADWR2G, NLV74HC244ADWR2G
MC74AC244DWG	MC74HC244ADWR2G, NLV74HC244ADWR2G
MM74HC540WM	MC74HC244ADWR2G, NLV74HC244ADWR2G
MM74HCT574WM	MC74HC244ADWR2G, NLV74HC244ADWR2G



Final Product/Process Change Notification

Document #:FPCN25572X20

Issue Date:29 Nov 2023

MC74HCT541ADWG	MC74HC244ADWR2G, NLV74HC244ADWR2G
MM74HCT573WMX	MC74HC244ADWR2G, NLV74HC244ADWR2G
MM74HC273WM	MC74HC244ADWR2G, NLV74HC244ADWR2G
MC74HC374ADWG	MC74HC244ADWR2G, NLV74HC244ADWR2G
MC74ACT574DWG	MC74HC244ADWR2G, NLV74HC244ADWR2G
MC74HCT373ADWR2G	MC74HC244ADWR2G, NLV74HC244ADWR2G
MC74HC240ADWG	MC74HC244ADWR2G, NLV74HC244ADWR2G
MC74ACT240DWR2G	MC74HC244ADWR2G, NLV74HC244ADWR2G
MM74HCT541WM	MC74HC244ADWR2G, NLV74HC244ADWR2G
MC74HC574ADWG	MC74HC244ADWR2G, NLV74HC244ADWR2G
MC74ACT373DWG	MC74HC244ADWR2G, NLV74HC244ADWR2G
MM74HCT273WM	MC74HC244ADWR2G, NLV74HC244ADWR2G
MC74ACT540DWG	MC74HC244ADWR2G, NLV74HC244ADWR2G
MC74AC240DWR2G	MC74HC244ADWR2G, NLV74HC244ADWR2G
MC74HC540ADWG	MC74HC244ADWR2G, NLV74HC244ADWR2G
MM74HCT273WMX	MC74HC244ADWR2G, NLV74HC244ADWR2G
MC74HCT573ADWG	MC74HC244ADWR2G, NLV74HC244ADWR2G
MC74ACT374DWG	MC74HC244ADWR2G, NLV74HC244ADWR2G
MC74HCT373ADWG	MC74HC244ADWR2G, NLV74HC244ADWR2G
MC74AC540DWG	MC74HC244ADWR2G, NLV74HC244ADWR2G
MM74HC240WM	MC74HC244ADWR2G, NLV74HC244ADWR2G
MM74HCT374WMX	MC74HC244ADWR2G, NLV74HC244ADWR2G
MM74HCT373WMX	MC74HC244ADWR2G, NLV74HC244ADWR2G
MM74HCT374WM	MC74HC244ADWR2G, NLV74HC244ADWR2G
MC74ACT241DWR2G	MC74HC244ADWR2G, NLV74HC244ADWR2G
MC74HCT241ADWR2G	MC74HC244ADWR2G, NLV74HC244ADWR2G
MC74HCT374ADWG	MC74HC244ADWR2G, NLV74HC244ADWR2G