

Product data sheet

Specifications

SQUARE D

Green Premium™



Circuit breaker enclosure,
PowerPacT H/J, 15A to 250A,
NEMA 1, surface mount, 14.36in W
x 31.36in H x 6in D

J250S

Product availability : Stock - Normally stocked in distribution facility

Main

Breaker Compatibility Circuit breaker H-Frame 15...250 A
Circuit breaker J-Frame 15...250 A

Complementary

Height 31.36 in (796.54 mm)

Width 14.36 in (364.74 mm)

Depth 6 in (152.40 mm)

Environmental

NEMA Degree of Protection NEMA 1

Ordering and shipping details

Category 00030-IND CB ENCL NEMA 1,3R

Discount Schedule DE1

GTIN 785901568049

Returnability Yes

Country of origin MX

Packing Units

Unit Type of Package 1 PCE

Number of Units in Package 1 1

Package 1 Height 6.90 in (17.526 cm)

Package 1 Width 15.20 in (38.608 cm)

Package 1 Length 33.20 in (84.328 cm)

Package 1 Weight 35.70 lb(US) (16.195 kg)

Unit Type of Package 2 PAL

Number of Units in Package 2 20

Package 2 Height 40.00 in (101.6 cm)

Package 2 Width 40.00 in (101.6 cm)

Package 2 Length	48.00 in (121.92 cm)
Package 2 Weight	714.08 lb(US) (323.901 kg)

Offer Sustainability

Sustainable offer status	Green Premium product
California proposition 65	WARNING: This product can expose you to chemicals including: Lead and lead compounds, which is known to the State of California to cause cancer and birth defects or other reproductive harm. For more information go to www.P65Warnings.ca.gov
REACH Regulation	REACH Declaration
EU RoHS Directive	Compliant EU RoHS Declaration
Toxic heavy metal free	Yes
Mercury free	Yes
RoHS exemption information	Yes
China RoHS Regulation	China RoHS declaration Pro-active China RoHS declaration (out of China RoHS legal scope)
Environmental Disclosure	Product Environmental Profile
PVC free	Yes
Halogen content performance	Halogen free plastic parts product

Contractual warranty

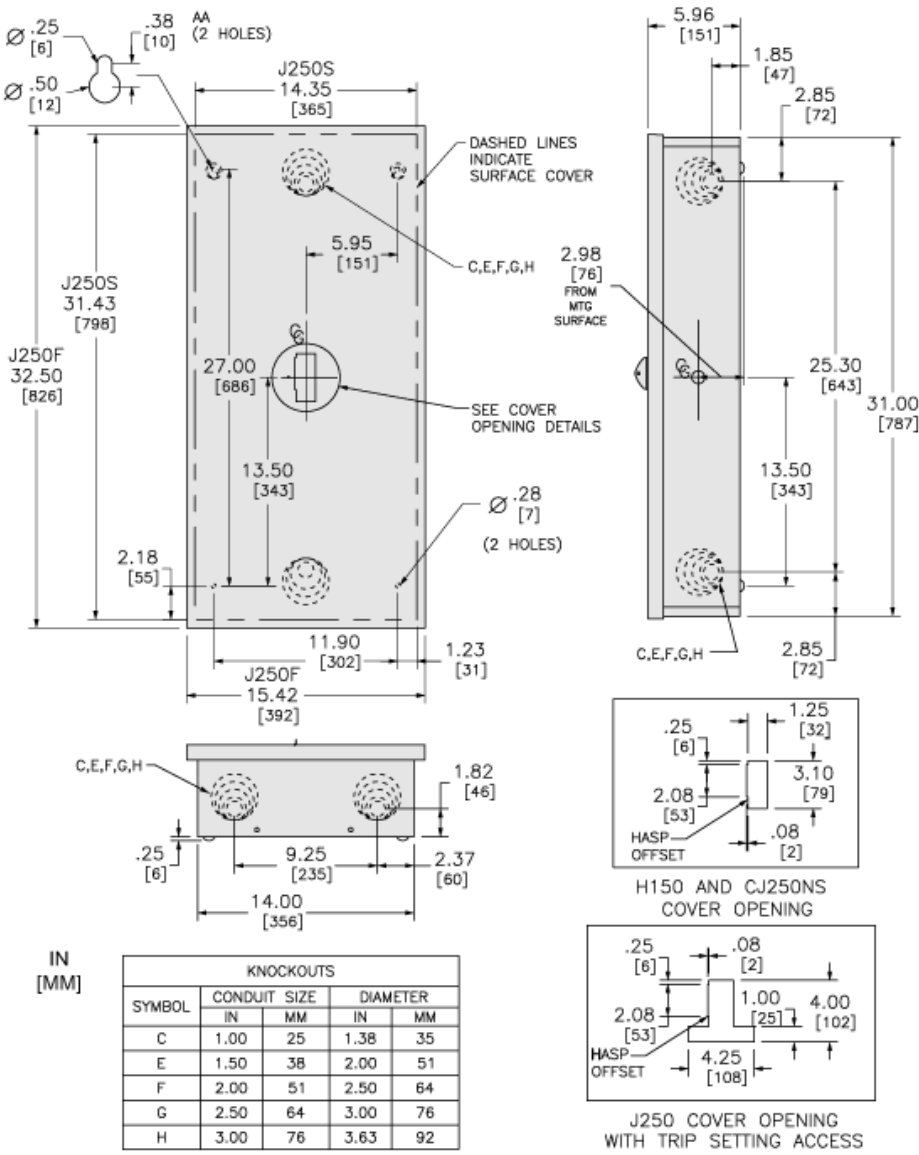
Warranty	18 months
-----------------	-----------

Product data sheet

Dimensions Drawings

J250S

Approximate Dimensions: Refer to Drawing 3362S



IN
[MM]

SYMBOL	KNOCKOUTS			
	CONDUIT SIZE		DIAMETER	
	IN	MM	IN	MM
C	1.00	25	1.38	35
E	1.50	38	2.00	51
F	2.00	51	2.50	64
G	2.50	64	3.00	76
H	3.00	76	3.63	92

Recommended replacement(s)