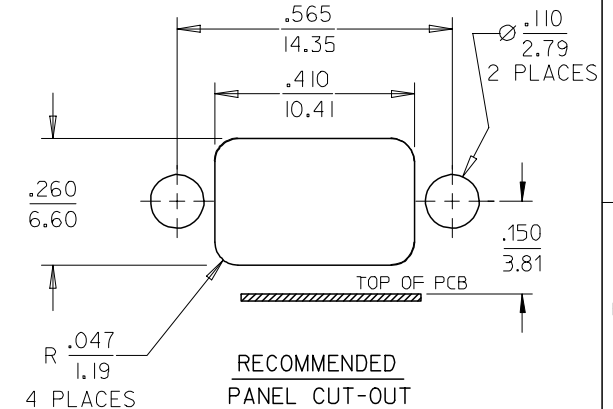
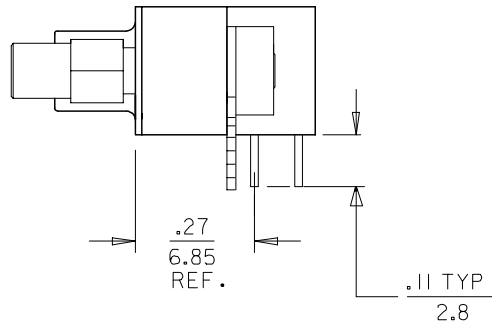
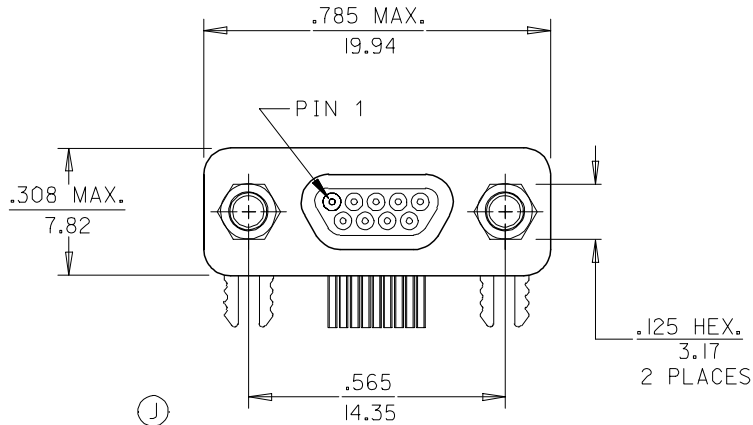
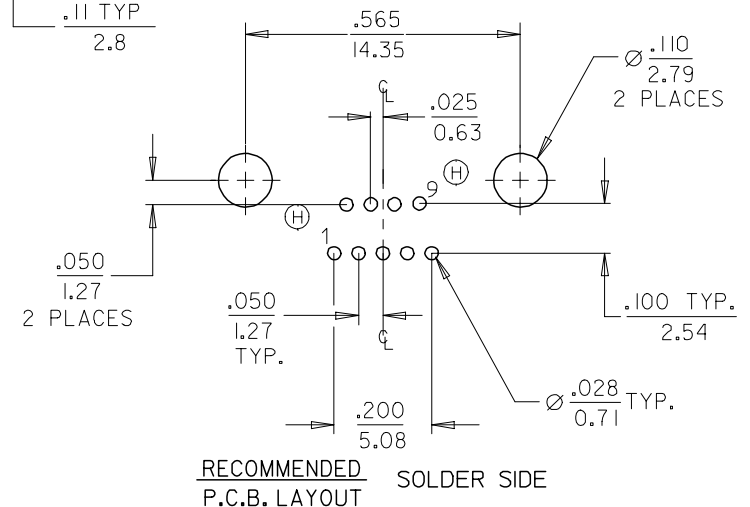
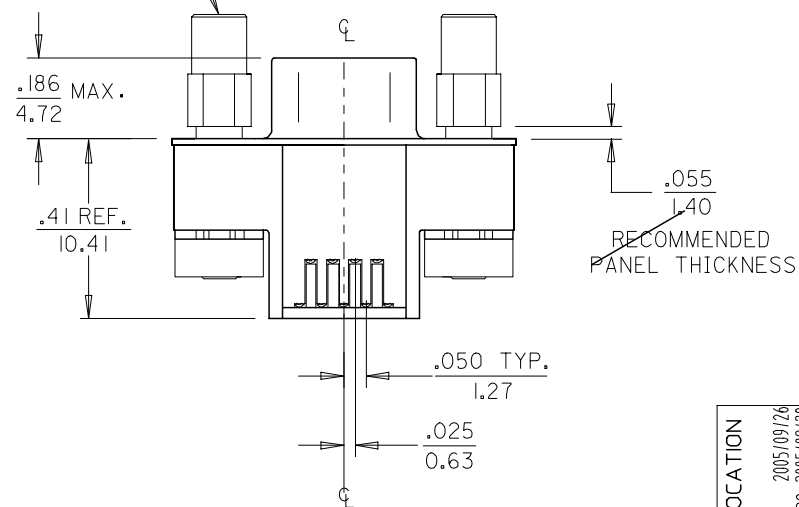


MATERIAL NO.	ENG. NO.
836119006	83611-9006



2-56 JACKPOST
2 PLACES



2. MARKING: NONE.
1. REFER TO PS-83421-9000 FOR PRODUCT SPECIFICATION.
NOTES: UNLESS OTHERWISE SPECIFIED.

ADD HOLE LOCATION	EC NO:	2005/09/26	QUALITY SYMBOLS ▽=0 ▽=0
	DRWNS:BRADLEY	2005/09/26	
	CHKD:J. LOMASTRO	2005/09/28	
	APPR:RDEROSS	2005/09/29	
REV	J	DESCRIPTION	

GENERAL TOLERANCES (UNLESS SPECIFIED)	mm	INCH
	4 PLACES ± .005	± .005
	3 PLACES ± .010	± .010
	2 PLACES ± 0.13	± .010
	1 PLACE ± 0.25	± .010
ANGULAR ± 1°		
DRAFT WHERE APPLICABLE MUST REMAIN WITHIN DIMENSIONS		

DIMENSION STYLE		SCALE	DESIGN UNITS	THIRD ANGLE PROJECTION
IN/MM		NONE	INCH	
DRAWN BY	DATE	TITLE		
JLOMASTR	04/09/21	CONNECTOR COMMERCIAL MICRO D PLUG R/A SIZE 9		
CHECKED BY	DATE	MOLEX INCORPORATED		
RDEROSS	04/09/28	MATERIAL NO. SEE CHART		
APPROVED BY	DATE	DOCUMENT NO. SD-83611-001		
RDEROSS	04/09/28	SHEET NO. 1 OF 1		