

Product data sheet

Specifications

SQUARE D

Green Premium™



Load center, QO, 1 phase, 12 spaces, 24 circuits, 100A convertible main breaker, NEMA1, UL

QO112M100P

Product availability: Stock - Normally stocked in distribution facility

Price*: 346.36 USD

Main

Marketing Trade Name	QO
Product Type	Load Center

Complementary

Tightening Torque	Cover 20 lb.in
Pon Convertible Mains (Lugs)	PoN Convertible Mains (breaker)
Rated Current	100 A
Number Of Spaces	12
Max Short Circuit Current Rating	22 kA
Maximum Number Of Single Pole Circuits	24
Maximum Number Of Tandem Breakers	12
Number Of Phases	1 phase
Ground Bar	Grounding bar (ordered separately)
Box Number	5
Height	14.92 in (379 mm)
Width	14.25 in (362 mm)
Depth	3.74 in (95 mm)
Net Weight	10.16 lb(US) (4.610 kg)

Environment

Enclosure Rating	NEMA 1 indoor
Ambient Air Temperature For Operation	23 °F (-5 °C) 104 °F (40 °C)
Product Certifications	UL Listed

Ordering and shipping details

Category	US1DE3A10001
Discount Schedule	DE3A
Gtin	785901595878
Returnability	Yes

Price is "List Price" and may be subject to a trade discount – check with your local distributor or retailer for actual price.

Country Of Origin	US
-------------------	----

Packing Units

Unit Type Of Package 1	PCE
------------------------	-----

Number Of Units In Package 1	1
------------------------------	---

Package 1 Height	3.74 in (9.5 cm)
------------------	------------------

Package 1 Width	14.25 in (36.2 cm)
-----------------	--------------------

Package 1 Length	14.92 in (37.9 cm)
------------------	--------------------

Package 1 Weight	15.00 lb(US) (6.804 kg)
------------------	-------------------------

Sustainability

Green Premium™ label is Schneider Electric's commitment to delivering products with best-in-class environmental performance. Green Premium promises compliance with the latest regulations, transparency on environmental impacts, as well as circular and low-CO₂ products.

Guide to assessing product sustainability is a white paper that clarifies global eco-label standards and how to interpret environmental declarations.

[Learn more about Green Premium >](#)

[Guide to assess a product's sustainability >](#)



Transparency RoHS/REACH

Well-being performance

Reach Free Of Svhc

Toxic Heavy Metal Free

Mercury Free

Rohs Exemption Information Yes

Certifications & Standards

Reach Regulation

[REACH Declaration](#)

Eu Rohs Directive

Compliant

[EU RoHS Declaration](#)

China Rohs Regulation

[China RoHS declaration](#)

Pro-active China RoHS declaration (out of China RoHS legal scope)

Environmental Disclosure

[Product Environmental Profile](#)

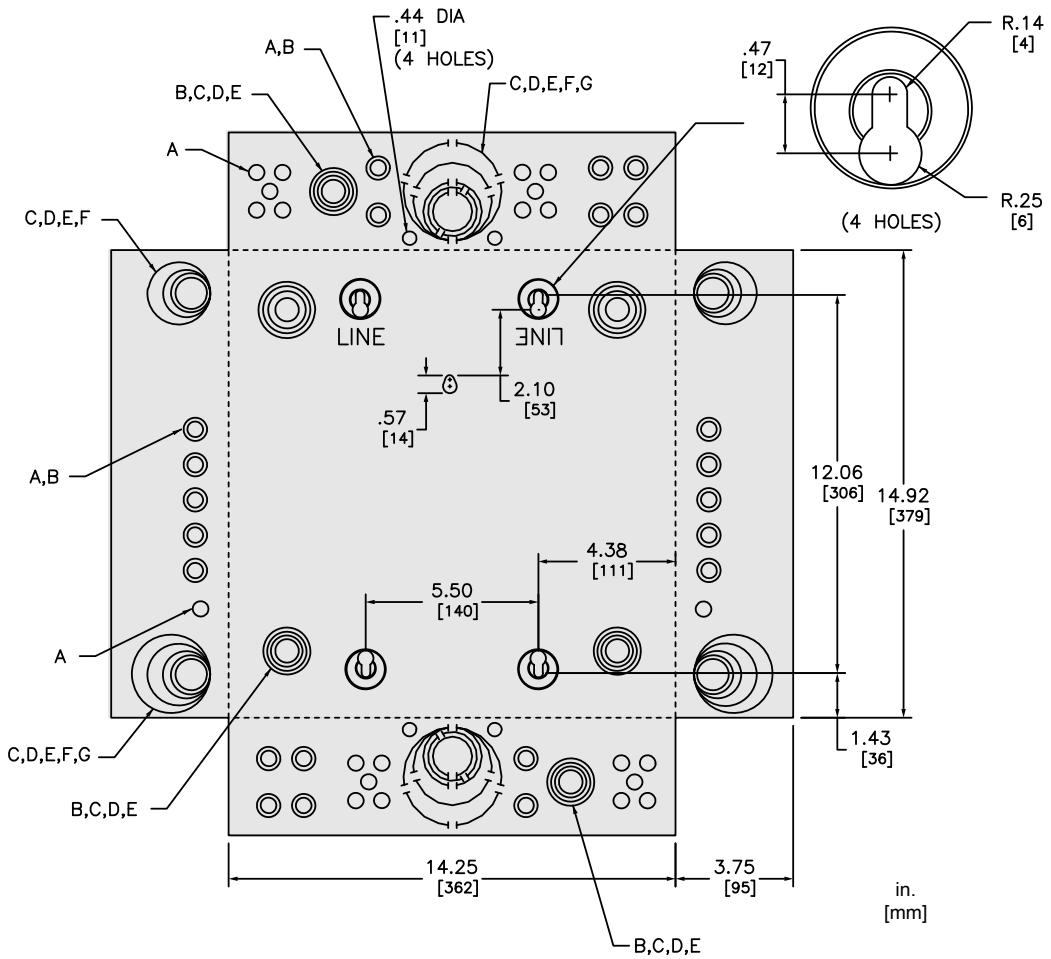
Circularity Profile

No need of specific recycling operations

California Proposition 65

WARNING: This product can expose you to chemicals including: Lead and lead compounds, which is known to the State of California to cause cancer and birth defects or other reproductive harm. For more information go to www.P65Warnings.ca.gov

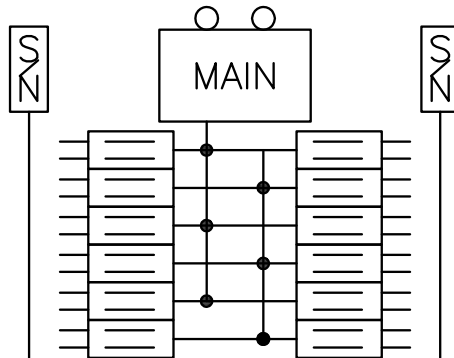
Dimensions



KNOCKOUTS							
SYMBOL	A	B	C	D	E	F	G
IN	.50	.75	1.00	1.25	1.50	2.00	2.50
MM	13	19	25	32	38	51	64

All dimensions are approximate. Also refer to technical drawings and documentation.

Wiring diagram



QO112M100P
QO112M100PC