



Part Number : [1204660004](#)

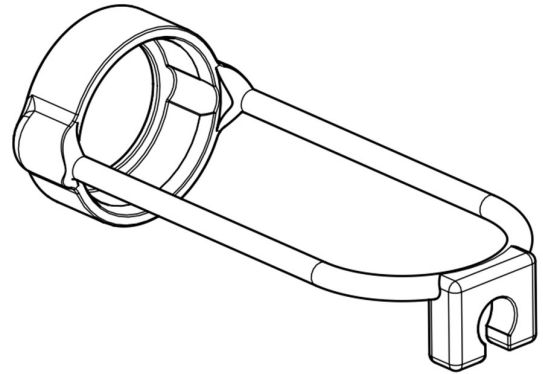
Product Description : Ultra-Lock 2.0 (M12) Receptacle to RJ-45 Double-Ended Cordset, 4 Poles, Female (Straight) to RJ-45 Male (Straight), EtherNet Cat5e TPU Cable, Teal, 0.50m Length

Series Number : 120406

Status : Active

Product Category : Circular Industrial Cordsets

Engineering Number : ERYPAU7016M005




Documents & Resources

Drawings

[Drawing 1204061046_sd.pdf](#)

Product Environment Compliance

Compliance

GADSL/IMDS	Not Relevant
China RoHS	
EU ELV	Not Relevant
Low-Halogen Status	Not Reviewed per IEC 61249-2-21
REACH SVHC	Contains Lead; Lead monoxide per D(2023)3788-DC (14 Jun 2023)
EU RoHS	Compliant with Exemption 6(c) per EU 2015/863

Multiple Part Product Compliance Statements

- Eu RoHS
- REACH SVHC
- Low-Halogen

Multiple Part Industry Compliance Documents

- IPC 1752A Class C
- IPC 1752A Class D
- Molex Product Compliance Declaration
- IEC-62474

Part Details

General

Status	Active
Category	Circular Industrial Cordsets
Series	120406
Description	Ultra-Lock 2.0 (M12) Receptacle to RJ-45 Double-Ended Cordset, 4 Poles, Female (Straight) to RJ-45 Male (Straight), EtherNet Cat5e TPU Cable, Teal, 0.50m Length
IP Rating	IP67, IP20
Performance Category	5e
Product Family	Brad Industrial Ethernet Solutions
Product Name	Ultra-Lock 2.0 (M12), Industrial Ethernet
Protocol	EtherNet
Type	Double Ended
UPC	196823153778

Agency

UL	E361772
----	---------

Electrical

Current - Maximum per Contact	1.5A
Voltage - Maximum	30V AC, 42V DC

Physical

Cable Diameter	6.50mm (.256")
Cable Length	0.50m (1.64')
Color - Cable Jacket	Teal
Connector End A	Ultra-Lock 2.0 (M12)
Connector End B	RJ-45 (standard)
Coupling Style	Push to Lock
Gender	Female-Male

Keyway	D-Coded
LED Indicator	No
Material - Cable Jacket	TPU
Material - Connector Body	TPU
Material - Contact	Bronze
Material - Coupling Nut	Brass
Material - O-Ring	FPM Nitrile Rubber
Material - Plating Mating	Gold
Net Weight	188.016/g
Orientation	Straight to Straight
Poles	4
Temperature Range - Operating	-40° to +85°C
Wire/Cable Type	UL 21215
Wire Size (AWG)	24