

Micro SD Connector

multicomp PRO

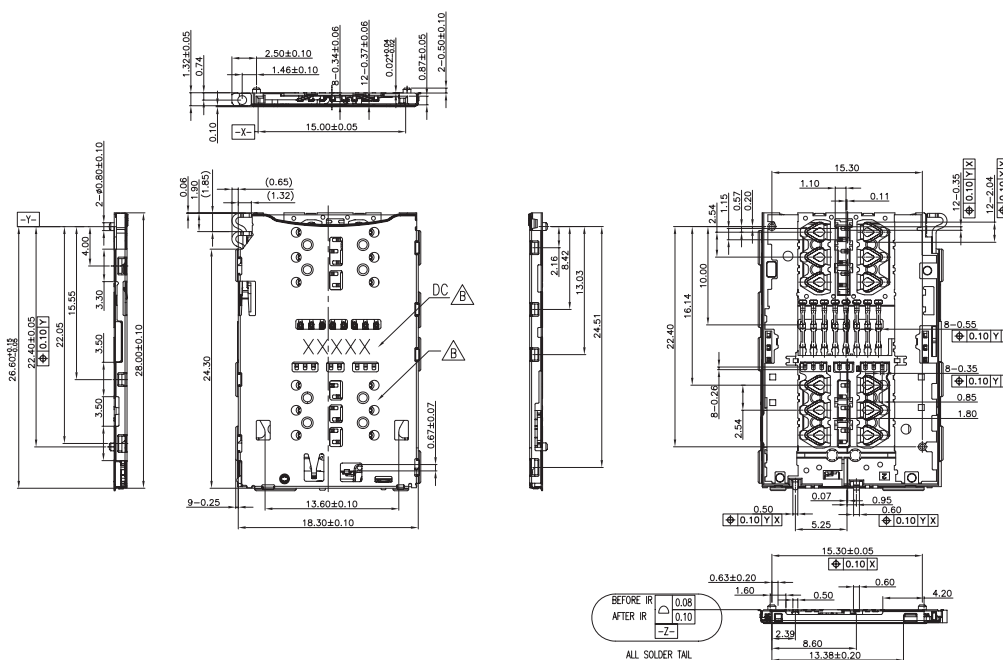
**RoHS
Compliant**



Specification

Voltage Rating	: 10V
Current Rating	: 0.3A
Insulation Resistance	: 1000MΩ Min.
Contact Resistance	: Initial 50mΩ max; After Test 25mΩ
Operation Temperature	: -40°C to +85°C
Durability	: 3000 Cycles

Diagram



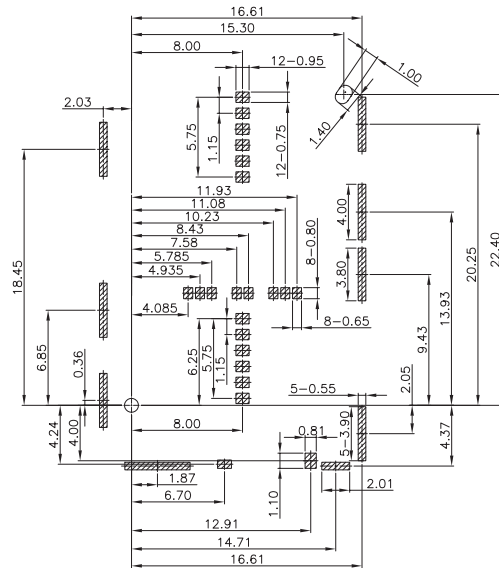
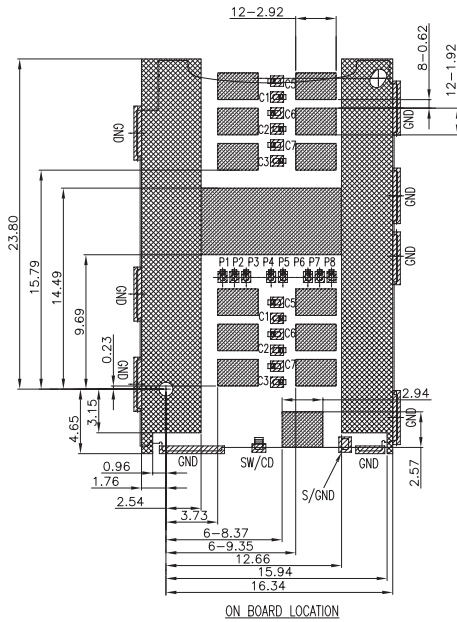
Dimensions : Millimetres

Item	Name	Material	Q'ty	Remark
1	Housing	Thermoplastic UL94 V-0	1	Black Colour, Moisture Proof Grade: 2a
2	Contact	Copper Alloy	1	Au Plating On Contact Area (See P/N) 3u" Min Au Plating On Solder Tails, Ni Underplating Overall
3	Shell	Stainless Stell	1	3u" Min Au Plating On Solder Tails, Ni Underplating Overall
4	Eject Bar	Stainless Steel	1	No Plating
5	Eject Lever	Stainless Steel	1	
6	Dectect	Copper Alloy	1	15u" Au Plating On Contact Area 3u" Min Au Plating On Solder Tails, Ni Underplating Overall

Newark.com/multicomp-pro
Farnell.com/multicomp-pro
sg.element14.com/b/multicomp-pro

multicomp PRO

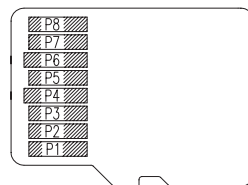
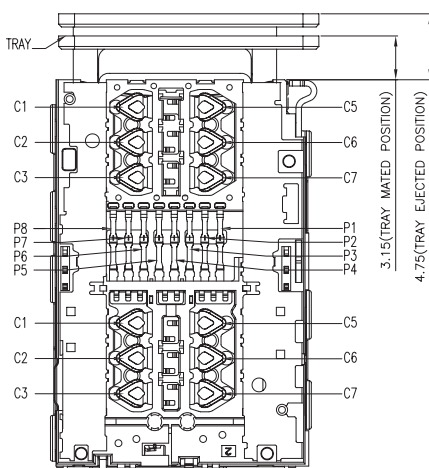
Micro SD Connector



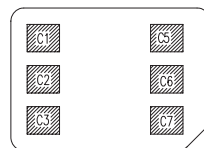
PCB LAYOUT TOLERANCE:±0.05
METAL MASK THICKNESS:0.10MM

Dimensions : Millimetres

- Through Hole
- Soldering Pad Area
- Open Wire Restricted Area (Possibility Tough Of Components On PCB)
- No Soldering Pad Area (Independent Pad Area) Or Open Wire & Copper Restricted Area
 - 1: Tough area of contact tips, No electrical function and only for mechanical function.
 2. No first PCB-Layout circuits in the area.



Micro SD CARD ELECTRICAL

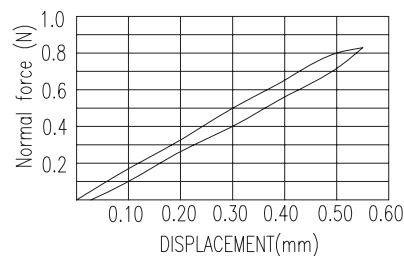
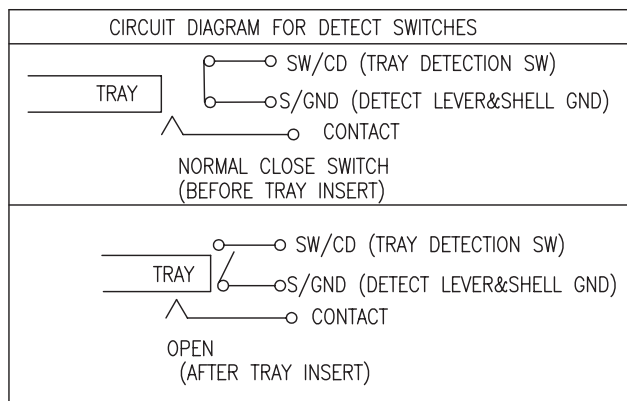


NANO SIM CARD ELECTRICAL

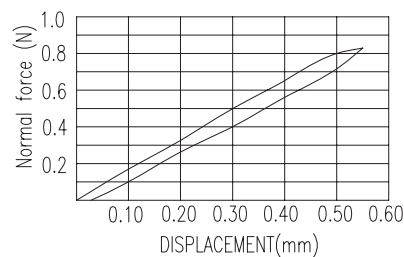
Item	Function
Micro SD Card	
P1	DAT2 Of MSD
P2	CD/DAT3 Of MSD
P3	CMD Of MSD
P4	VDD Of MSD
P5	CLK Of MSD
P6	VSS Of MSD
P7	DATO Of MSD
P8	DAT1 Of MSD

Item	Function
NANO SIM CARD	
C1	VCC Of SIM
C2	RST Of SIM
C3	CLK Of SIM
C5	GND Of SIM
C6	VPP Of SIM
C7	Data Of SIM

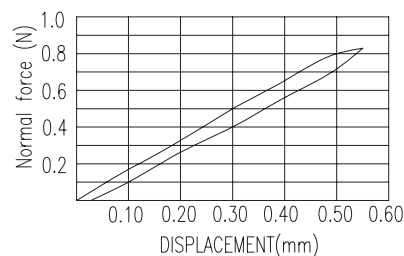
Newark.com/multicomp-pro
Farnell.com/multicomp-pro
sg.element14.com/b/multicomp-pro



Nano Sim card Contact NF-Deflection Curve



Nano Sim card Contact NF-Deflection Curve



Nano Sim card Contact NF-Deflection Curve

Part Number Table

Description	Part Number
Micro SD Connector, 3 in 2 Card	MP013696

Important Notice : This data sheet and its contents (the "Information") belong to the members of the AVNET group of companies (the "Group") or are licensed to it. No licence is granted for the use of it other than for information purposes in connection with the products to which it relates. No licence of any intellectual property rights is granted. The Information is subject to change without notice and replaces all data sheets previously supplied. The Information supplied is believed to be accurate but the Group assumes no responsibility for its accuracy or completeness, any error in or omission from it or for any use made of it. Users of this data sheet should check for themselves the Information and the suitability of the products for their purpose and not make any assumptions based on information included or omitted. Liability for loss or damage resulting from any reliance on the Information or use of it (including liability resulting from negligence or where the Group was aware of the possibility of such loss or damage arising) is excluded. This will not operate to limit or restrict the Group's liability for death or personal injury resulting from its negligence. Multicomp Pro is the registered trademark of Premier Farnell Limited 2019.