

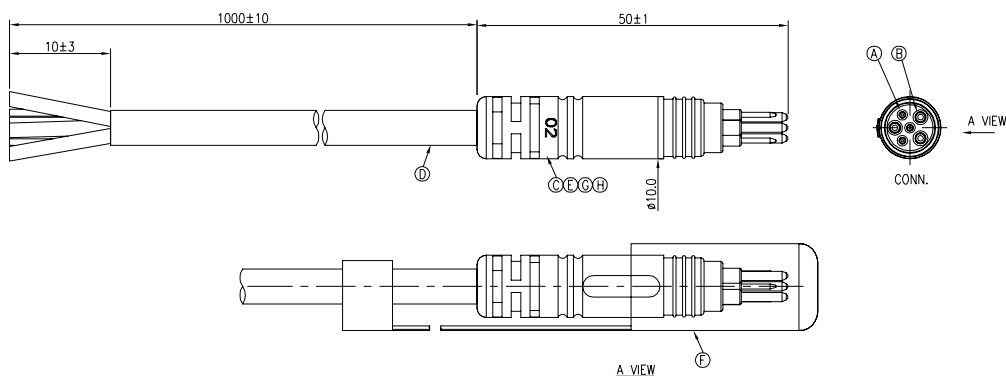
**RoHS  
Compliant**



## Specification

Waterproof Rate	: IP65
Current Rating	: 5A+2A
Contact Resistance	: 3Ω Max.
Hi-Pot Test	: 800V AC 5mA (1Sec)
Insulation Resistance	: 30MΩ Min. By 500V DC
Temperature Range	: 20°C to +80°C

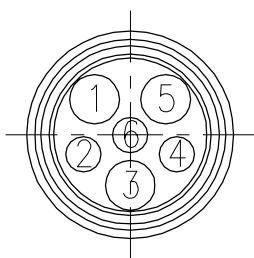
## Diagram



Conn.	Wire Colour
1	Green
2	Red
3	Blue
4	White
5	Yellow
6	Black

### PIN OUT

CONN.



Pin Assignments  
Front View

Dimensions : Millimetres

No.	Description	Qty.	Material	Plating & Color
A	Body	1	PA66+30%GF	Black
B	Male Pin	6	Brass	1-3u" Gold Plating Over Nickel Plating
C	Over Mold	1	TPU	Black
D	Cable		16# × 3C+24# × 3C OD 5.6	
E	Inner Mold		ABS	Natural
F	Cap		PA66	
G	Shrink Tube	3	Ø1.5mm 300V	Black

## Part Number Table

Description	Part Number
EV Charging Cable, 10A+2A, Male Connector, 6 Pins, 180°, IP65	MP013732

**Important Notice** : This data sheet and its contents (the "Information") belong to the members of the AVNET group of companies (the "Group") or are licensed to it. No licence is granted for the use of it other than for information purposes in connection with the products to which it relates. No licence of any intellectual property rights is granted. The Information is subject to change without notice and replaces all data sheets previously supplied. The Information supplied is believed to be accurate but the Group assumes no responsibility for its accuracy or completeness, any error in or omission from it or for any use made of it. Users of this data sheet should check for themselves the Information and the suitability of the products for their purpose and not make any assumptions based on information included or omitted. Liability for loss or damage resulting from any reliance on the Information or use of it (including liability resulting from negligence or where the Group was aware of the possibility of such loss or damage arising) is excluded. This will not operate to limit or restrict the Group's liability for death or personal injury resulting from its negligence. Multicomp Pro is the registered trademark of Premier Farnell Limited 2019.