

EV Charging Cable

multicomp^{PRO}

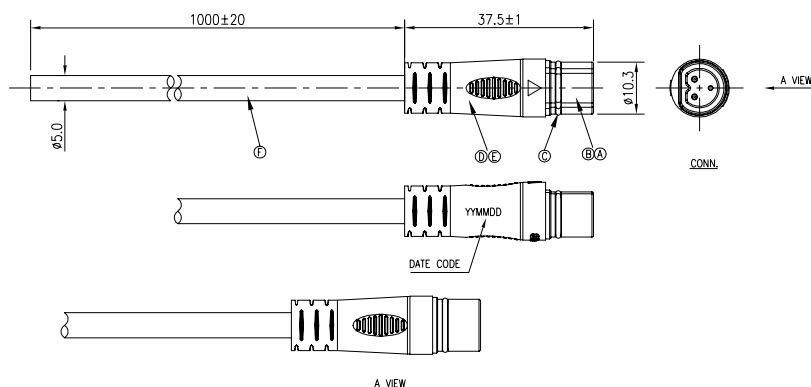
**RoHS
Compliant**



Specification

Waterproof Rate	: IP66
Test Conditions	
Current Rating	: 5A+2A
Temperature Range	: -20°C to +80°C
Conduct Resistance	: 3Ω Max.
Hi-Pot Test	: 500V AC, 5mA (1Minute)
Insulation Resistance	: 100MΩ Min. By 500V DC

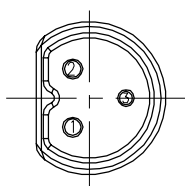
Diagram



Conn.	Wire Colour
1	Black
2	Brown
3	Blue

PIN OUT

CONN.



Pin Assignments
Front View

No.	Description	Qty.	Material	Plating & Color
A	Body	1	Plastic	Black
B	Male Pin	3	Brass	Gold Plating Over Nickel Plating
C	O-Ring	1	Silicon	Red
D	Inner Mold		Plastic	Black
E	Over Mold		UL2464 22AWG × 3C+A UV Resistan	Black (PVC Jacket)
F	Cable			

Part Number Table

Description	Part Number
EV Charging Cable, 5A+2A, Male Connector, 3 Pins, 180°, IP66	MP013745

Dimensions : Millimetres

Important Notice : This data sheet and its contents (the "Information") belong to the members of the AVNET group of companies (the "Group") or are licensed to it. No licence is granted for the use of it other than for information purposes in connection with the products to which it relates. No licence of any intellectual property rights is granted. The Information is subject to change without notice and replaces all data sheets previously supplied. The Information supplied is believed to be accurate but the Group assumes no responsibility for its accuracy or completeness, any error in or omission from it or for any use made of it. Users of this data sheet should check for themselves the Information and the suitability of the products for their purpose and not make any assumptions based on information included or omitted. Liability for loss or damage resulting from any reliance on the Information or use of it (including liability resulting from negligence or where the Group was aware of the possibility of such loss or damage arising) is excluded. This will not operate to limit or restrict the Group's liability for death or personal injury resulting from its negligence. Multicomp Pro is the registered trademark of Premier Farnell Limited 2019.

Newark.com/multicomp-pro
Farnell.com/multicomp-pro
sg.element14.com/b/multicomp-pro

multicomp^{PRO}