

# QUINT-UPS/ 24DC/ 24DC/20 - Uninterruptible power supply



2320238

<https://www.phoenixcontact.com/in/products/2320238>

Please be informed that the data shown in this PDF document is generated from our online catalog. Please find the complete data in the user documentation. Our general terms of use for downloads are valid.



Uninterruptible power supply with IQ technology for DIN rail mounting, input: 24 V DC, output: 24 V DC/20 A, including mounted universal DIN rail adapter UTA 107/30

## Product description

The UPS module for 24 V DC with output currents ranging from 5 to 40 A allows you to create a custom solution combining a power supply, UPS module, and energy storage.

## Your advantages

- Easy handling thanks to automatic battery detection, tool-free battery replacement during operation, and communication via the IFS interface
- Optimum use of the buffer time and preventive monitoring of the energy storage
- Rapid battery charging
- Comprehensive signaling and parameterization
- Fast tripping of standard circuit breakers with SFB (selective fuse breaking) technology
- Reliable starting of difficult loads with the static POWER BOOST power reserve with up to 1.5 times the nominal current permanently

## Commercial data

Item number	2320238
Packing unit	1 pc
Minimum order quantity	1 pc
Sales key	CMU
Product key	CMUQ43
Catalog page	Page 275 (C-4-2017)
GTIN	4046356554190
Weight per piece (including packing)	835.8 g
Weight per piece (excluding packing)	601 g
Customs tariff number	85371091
Country of origin	IN

# QUINT-UPS/ 24DC/ 24DC/20 - Uninterruptible power supply



2320238

<https://www.phoenixcontact.com/in/products/2320238>

## Technical data

### Input data

#### DC operation

Input voltage	24 V DC
Nominal input voltage range	24 V DC
Input voltage range	18 V DC ... 30 V DC
Input voltage range DC	18 V DC ... 30 V DC
Voltage type of supply voltage	DC
Buffer period	1 h (With battery module 38 AH)
Current consumption	32.9 A (maximum, mains operation)
	10.5 mA (No load, mains operation)
	6.9 A (Charging, mains operation)
Fixed backup threshold	≤ 22 V DC
Variable connect threshold	1 V/0.1 s

### Output data

Efficiency	> 98 % (Mains operation, with charged energy storage)
	98 % (Battery operation)
Nominal output voltage	24 V DC
Output voltage range	18 V DC ... 30 V DC
Nominal output current ( $I_N$ )	20 A (-25 °C ... 50 °C)
Output current limit	In mains mode according to connected upstream current limiting device
	> 27 A (Battery operation)
Bridging time	7200 s
Derating	60 °C ... 70 °C (2.5 %/K)
	60 °C ... 70 °C (2.5 %/K)
Output power	480 W
Power dissipation	2.7 W (Mains operation)
	7.65 W (Mains operation)
	3.19 W (Battery operation)
	9.35 W (Battery operation)
Connection in parallel	yes, up to 2 modules with redundancy module
	2 (Devices)
Connection in series	No
	no

#### Mains operation

Nominal output voltage	24 V DC
Output voltage range	18 V DC ... 30 V DC
Nominal output current ( $I_N$ )	20 A (-25 °C ... 60 °C)
POWER BOOST ( $I_{Boost}$ )	26 A (-25 °C ... 40 °C)

# QUINT-UPS/ 24DC/ 24DC/20 - Uninterruptible power supply



2320238

<https://www.phoenixcontact.com/in/products/2320238>

Selective Fuse Breaking ( $I_{SFB}$ )	120 A (-25 °C ... 60 °C)
Duration	12 ms (SFB technology)

## Battery operation

Nominal output voltage	24 V DC
Output voltage range	19.2 V DC ... 27.6 V DC ( $U_{OUT} = U_{BAT} - 0,5 \text{ V DC}$ )
Nominal output current ( $I_N$ )	20 A (-25 °C ... 60 °C)
POWER BOOST ( $I_{Boost}$ )	27 A (-25 °C ... 40 °C)
Selective Fuse Breaking ( $I_{SFB}$ )	120 A (-25 °C ... 60 °C)
Duration	15 ms (SFB technology)

## Signal: Alarm

Output description	Relay (floating)
Maximum switching voltage	$\leq 30 \text{ V AC/DC}$
Continuous load current	$\leq 100 \text{ mA}$

## Signal: Battery charge

Output description	Relay (floating)
Maximum switching voltage	$\leq 30 \text{ V AC/DC}$
Output voltage	24 V
Continuous load current	$\leq 100 \text{ mA}$

## Signal: Battery mode

Output description	Relay (floating)
Maximum switching voltage	$\leq 30 \text{ V AC/DC}$
Output voltage	24 V
Continuous load current	$\leq 100 \text{ mA}$

## Energy storage

Nominal voltage $U_N$	24 V DC
End-of-charge voltage	24 V DC ... 29 V DC (temperature compensated)
Charging current	0.2 A ... 5 A
Nominal capacity range	3 Ah ... 200 Ah
Battery presence check/time interval	1 min.
Battery presence check (cyclic)	60 s
IQ technology	Yes
Temperature compensation	42 mV/K (preset)
Temperature compensation (preset)	42 mV/K
Network management	Yes

## Connection data

### Input

Connection method	Screw connection
Conductor cross section, rigid min.	0.2 mm <sup>2</sup>
Conductor cross section, rigid max.	6 mm <sup>2</sup>

# QUINT-UPS/ 24DC/ 24DC/20 - Uninterruptible power supply



2320238

<https://www.phoenixcontact.com/in/products/2320238>

Conductor cross section flexible min.	0.2 mm <sup>2</sup>
Conductor cross section flexible max.	4 mm <sup>2</sup>
Conductor cross section AWG min.	12
Conductor cross section AWG max.	10
Stripping length	8 mm
Screw thread	M4
Tightening torque, min	0.5 Nm
Tightening torque max	0.6 Nm

## Output

Connection method	Screw connection
Conductor cross section, rigid min.	0.2 mm <sup>2</sup>
Conductor cross section, rigid max.	6 mm <sup>2</sup>
Conductor cross section flexible min.	0.2 mm <sup>2</sup>
Conductor cross section flexible max.	4 mm <sup>2</sup>
Conductor cross section AWG min.	12
Conductor cross section AWG max.	10
Stripping length	8 mm
Screw thread	M4
Tightening torque, min	0.5 Nm
Tightening torque max	0.6 Nm

## Signal

Conductor cross section, rigid min.	0.2 mm <sup>2</sup>
Conductor cross section, rigid max.	4 mm <sup>2</sup>
Conductor cross section flexible min.	0.2 mm <sup>2</sup>
Conductor cross section flexible max.	2.5 mm <sup>2</sup>
Conductor cross section AWG min.	24
Conductor cross section AWG max.	12
Screw thread	M4
Tightening torque, min	0.5 Nm
Tightening torque max	0.6 Nm

## Interfaces

Interface	IFS (Interface system data port)
-----------	----------------------------------

## Signaling

Types of signaling	LED
	Relay contact
	Interface/software

## Signal output

Signalization designation	Power In OK
Status display	LED
Note on status display	Static to

# QUINT-UPS/ 24DC/ 24DC/20 - Uninterruptible power supply



2320238

<https://www.phoenixcontact.com/in/products/2320238>

	Static to
--	-----------

## Signal output: Switching output

Signalization designation	Alarm
Status display	LED
Note on status display	Static to
Color	red
Note on status display	Static to

## Signal output: Switching output

Signalization designation	Battery charge
Status display	LED bar graph
Note on status display	dynamic
Color	green/red
Note on status display	dynamic

## Signal output: Switching output

Signalization designation	Battery mode
Status display	LED
Note on status display	Static to
Color	yellow
Note on status display	Static to

## Electrical properties

Insulation voltage input/output	500 V DC
Insulation voltage input, output / housing	750 V DC

## Product properties

Product type	DC UPS
Product family	QUINT USV
IQ technology	Yes
MTBF (IEC 61709, SN 29500)	> 500000 h (40 °C)

## Insulation characteristics

Protection class	III
------------------	-----

## Life expectancy (electrolytic capacitors)

Time	195013 h
------	----------

## Dimensions

Width	40 mm
Height	130 mm
Depth	125 mm

## Installation dimensions

Installation distance right/left	5 mm / 5 mm
Installation distance top/bottom	50 mm / 50 mm

# QUINT-UPS/ 24DC/ 24DC/20 - Uninterruptible power supply



2320238

<https://www.phoenixcontact.com/in/products/2320238>

## Alternative assembly

Width	123 mm
Height	130 mm
Depth	43 mm

## Mounting

Mounting type	DIN rail mounting
Assembly instructions	alignable: horizontal 5 mm, vertical 50 mm
Mounting position	horizontal DIN rail NS 35, EN 60715

## Material specifications

Housing material	Metal
Type of housing	Aluminum (AlMg3)
Hood version	Galvanized sheet steel, free from chrome (VI)
Housing material	Steel sheet, zinc-plated

## Environmental and real-life conditions

### Ambient conditions

Degree of protection	IP20
Ambient temperature (operation)	-25 °C ... 70 °C
Ambient temperature (storage/transport)	-40 °C ... 85 °C
Climatic class	3K3 (in acc. with EN 60721)
Max. permissible relative humidity (operation)	≤ 95 % (25 °C, non-condensing)
Shock	18 ms, 30g, in each space direction (according to IEC 60068-2-27)
Vibration (operation)	< 15 Hz, amplitude ±2.5 mm (according to IEC 60068-2-6) 15 Hz ... 150 Hz, 2.3g t <sub>v</sub> = 90 min.

## Standards and regulations

Rail applications	EN 50121-4
Standard – Electronic equipment for use in electrical power installations and their assembly into electrical power installations	EN 50178/VDE 0160 (PELV)
Standard - Electrical safety	EN 60950-1/VDE 0805 (SELV)

## Approvals

UL approvals	UL Listed UL 508
	UL/C-UL Recognized UL 60950-1
	UL ANSI/ISA-12.12.01 Class I, Division 2, Groups A, B, C, D (Hazardous Location)

## EMC data

Low Voltage Directive	Conformance with Low Voltage Directive 2014/35/EC
EMC requirements for noise emission	EN 61000-6-3
	EN 61000-6-4
EMC requirements for noise immunity	EN 61000-6-1

# QUINT-UPS/ 24DC/ 24DC/20 - Uninterruptible power supply



2320238

<https://www.phoenixcontact.com/in/products/2320238>

	EN 61000-6-2
Electromagnetic compatibility	Conformance with EMC Directive 2014/30/EU
Electrostatic discharge	
Standards/regulations	EN 61000-4-2
Electrostatic discharge	
Contact discharge	8 kV (Test Level 4)
Discharge in air	15 kV (Test Level 4)
Comments	Criterion A
Electromagnetic HF field	
Standards/regulations	EN 61000-4-3
Electromagnetic HF field	
Frequency range	80 MHz ... 1 GHz
Test field strength	20 V/m
Frequency range	1 GHz ... 3 GHz
Test field strength	10 V/m
Frequency range	2 GHz ... 3 GHz
Test field strength	3 V/m
Comments	Criterion A
Fast transients (burst)	
Standards/regulations	EN 61000-4-4
Fast transients (burst)	
Input	2 kV (Test Level 3 - asymmetrical)
Output	2 kV (Test Level 3 - asymmetrical)
Signal	2 kV (Test Level 4 - asymmetrical)
Comments	Criterion A
Surge voltage load (surge)	
Standards/regulations	EN 61000-4-5
Input	1 kV (Test Level 2 - symmetrical)
	2 kV (Test Level 3 - asymmetrical)
Output	1 kV (Test Level 2 - symmetrical)
	2 kV (Test Level 3 - asymmetrical)
Signal	1 kV (Test Level 2 - asymmetrical)
Comments	Criterion A
Conducted interference	
Standards/regulations	EN 61000-4-6
Conducted interference	
I/O/S	asymmetrical
Frequency range	0.15 MHz ... 80 MHz
Comments	Criterion A

# QUINT-UPS/ 24DC/ 24DC/20 - Uninterruptible power supply



2320238

<https://www.phoenixcontact.com/in/products/2320238>

Voltage	10 V (Test Level 3)
---------	---------------------

## Emitted interference

Standards/regulations	EN 61000-6-3
Radio interference voltage in acc. with EN 55011	EN 55011 (EN 55022) Class B, area of application: Industry and residential
Emitted radio interference in acc. with EN 55011	EN 55011 (EN 55022) Class B, area of application: Industry and residential

## Criteria

Criterion A	Normal operating behavior within the specified limits.
Criterion B	Temporary impairment to operational behavior that is corrected by the device itself.



# QUINT-UPS/ 24DC/ 24DC/20 - Uninterruptible power supply

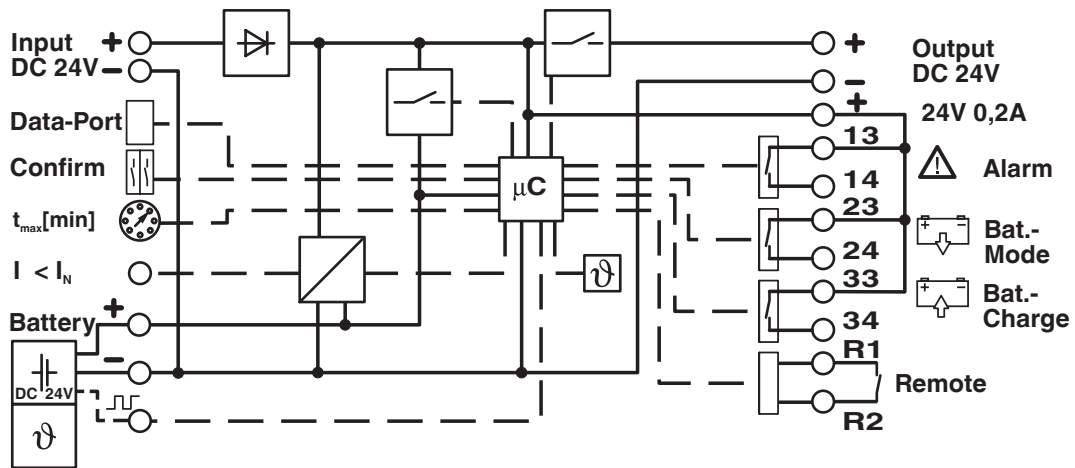


2320238

<https://www.phoenixcontact.com/in/products/2320238>

## Drawings

Block diagram



# QUINT-UPS/ 24DC/ 24DC/20 - Uninterruptible power supply



2320238

<https://www.phoenixcontact.com/in/products/2320238>

## Approvals

To download certificates, visit the product detail page: <https://www.phoenixcontact.com/in/products/2320238>



**cUL Recognized**  
Approval ID: FILE E 211944



**UL Recognized**  
Approval ID: FILE E 211944



**EAC**  
Approval ID: EAC-Zulassung



**LR**  
Approval ID: LR22136091TA



**BV**  
Approval ID: 41516/B0 BV



**EAC**  
Approval ID: RU S-DE.BL08.W.00764



**UL Listed**  
Approval ID: FILE E 123528



**cUL Listed**  
Approval ID: FILE E 123528

**ABS**

Approval ID: 22-2244289-PDA



**EAC**  
Approval ID: RU-DE.B.00184/20

**DNV**

Approval ID: TAA0000265


	Nominal voltage $U_N$	Nominal current $I_N$	Cross section AWG	Cross section $\text{mm}^2$
	500 V	41 A	-	- 6

# QUINT-UPS/ 24DC/ 24DC/20 - Uninterruptible power supply





2320238

<https://www.phoenixcontact.com/in/products/2320238>

 **KC**  
Approval ID: R-R-PCK-2320238

 **IECEE CB Scheme**  
Approval ID: DE/PTZ/0049

 **cUL Listed**  
Approval ID: FILE E 199827

 **UL Listed**  
Approval ID: FILE E 199827

**cULus Recognized**

**cULus Listed**

**cULus Listed**

# QUINT-UPS/ 24DC/ 24DC/20 - Uninterruptible power supply



2320238

<https://www.phoenixcontact.com/in/products/2320238>

## Classifications

### ECLASS

ECLASS-11.0	27040705
ECLASS-13.0	27040705
ECLASS-12.0	27040705

### ETIM

ETIM 9.0	EC000382
----------	----------

### UNSPSC

UNSPSC 21.0	39121000
-------------	----------

# QUINT-UPS/ 24DC/ 24DC/20 - Uninterruptible power supply



2320238

<https://www.phoenixcontact.com/in/products/2320238>

## Environmental product compliance

REACH SVHC	Lead 7439-92-1
China RoHS	Environmentally Friendly Use Period = 25;
	For information on hazardous substances, refer to the manufacturer's declaration available under "Downloads"

# QUINT-UPS/ 24DC/ 24DC/20 - Uninterruptible power supply



2320238

<https://www.phoenixcontact.com/in/products/2320238>

## Accessories

### UPS-BAT/PB/24DC/4AH - Battery module

1274117

<https://www.phoenixcontact.com/in/products/1274117>



Battery module, VRLA-AGM, 24 V DC, 4 Ah, automatic detection and communication with QUINT UPS-IQ

---

### UPS-BAT/PB/24DC/7AH - Battery module

1274118

<https://www.phoenixcontact.com/in/products/1274118>



Battery module, VRLA-AGM, 24 V DC, 7 Ah, automatic detection and communication with QUINT UPS-IQ

# QUINT-UPS/ 24DC/ 24DC/20 - Uninterruptible power supply



2320238

<https://www.phoenixcontact.com/in/products/2320238>

## UPS-BAT/PB/24DC/12AH - Battery module

1274119

<https://www.phoenixcontact.com/in/products/1274119>



Battery module, VRLA-AGM, 24 V DC, 12 Ah, automatic detection and communication with QUINT UPS-IQ

---

## UPS-BAT/PB/24DC/20AH - Battery module

1348516

<https://www.phoenixcontact.com/in/products/1348516>



Battery module, VRLA-AGM, 24 V DC, 20 Ah, automatic detection and communication with QUINT UPS-IQ

# QUINT-UPS/ 24DC/ 24DC/20 - Uninterruptible power supply



2320238

<https://www.phoenixcontact.com/in/products/2320238>

## UPS-BAT/PB/24DC/40AH - Battery module

1354641

<https://www.phoenixcontact.com/in/products/1354641>



Battery module, VRLA-AGM, 24 V DC, 40 Ah, automatic detection and communication with QUINT UPS-IQ

---

## UPS-BAT/LI/24DC/128WH - Battery module

1396415

<https://www.phoenixcontact.com/in/products/1396415>



Battery module, Lithium-Ion (LiFePO<sub>4</sub>), 24 V DC, 128 Wh. For use with a QUINT UPS for ambient temperatures (charging) of 0°C ... 60°C and a maximum charging current of 5 A. For charging below 0°C, please note the permissible UPS V/C level.



# QUINT-UPS/ 24DC/ 24DC/20 - Uninterruptible power supply



2320238

<https://www.phoenixcontact.com/in/products/2320238>

## UPS-BAT/VRLA-WTR/24DC/13AH - Battery module

2320416

<https://www.phoenixcontact.com/in/products/2320416>



Energy storage device, lead AGM, VRLA technology, 24 V DC, 13 Ah, tool-free battery replacement, automatic detection, and communication with QUINT UPS-IQ

---

## UPS-BAT/VRLA-WTR/24DC/26AH - Battery module

2320429

<https://www.phoenixcontact.com/in/products/2320429>



Energy storage device, lead AGM, VRLA technology, 24 V DC, 26 Ah, tool-free battery replacement, automatic detection, and communication with QUINT UPS-IQ

# QUINT-UPS/ 24DC/ 24DC/20 - Uninterruptible power supply



2320238

<https://www.phoenixcontact.com/in/products/2320238>

## UPS-CAP/24DC/10A/10KJ - Energy storage

2320377

<https://www.phoenixcontact.com/in/products/2320377>



Maintenance-free energy storage based on double-layer capacitor, 24 V DC, 10 kJ, automatic detection and communication with QUINT UPS-IQ

---

## UPS-CAP/24DC/20A/20KJ - Energy storage

2320380

<https://www.phoenixcontact.com/in/products/2320380>



Maintenance-free energy storage based on double-layer capacitor, 24 V DC, 20 kJ, automatic detection and communication with QUINT UPS-IQ

# QUINT-UPS/ 24DC/ 24DC/20 - Uninterruptible power supply



2320238

<https://www.phoenixcontact.com/in/products/2320238>

## QUINT-PS-ADAPTERS7/1 - Mounting adapter

2938196

<https://www.phoenixcontact.com/in/products/2938196>

Assembly adapter for QUINT-PS... power supply on S7-300 rail



---

## IFS-RS232-DATACABLE - Data cable

2320490

<https://www.phoenixcontact.com/in/products/2320490>

Data cable for communication between devices with a D-SUB 9 RS-232 connection and Phoenix Contact devices with the 12-pos. IFS data port such as QUINT UPS-IQ or TRIO UPS.



# QUINT-UPS/ 24DC/ 24DC/20 - Uninterruptible power supply



2320238

<https://www.phoenixcontact.com/in/products/2320238>

## UTA 107/30 - Mounting adapter

2320089

<https://www.phoenixcontact.com/in/products/2320089>

Universal DIN rail adapter



---

## UWA 182/52 - Mounting adapter

2938235

<https://www.phoenixcontact.com/in/products/2938235>

Universal wall adapter for securely mounting the device in the event of strong vibrations. The device is screwed directly onto the mounting surface. The universal wall adapter is attached on the top/bottom.



# QUINT-UPS/ 24DC/ 24DC/20 - Uninterruptible power supply



2320238

<https://www.phoenixcontact.com/in/products/2320238>

## IFS-USB-DATACABLE - Data cable

2320500

<https://www.phoenixcontact.com/in/products/2320500>

Used for communicating between industrial PCs and Phoenix Contact devices with the 12-pos. IFS data port, such as QUINT UPS or TRIO UPS.



---

## IFS-CONFSTICK - Memory block

2986122

<https://www.phoenixcontact.com/in/products/2986122>

Multi-functional memory block for the INTERFACE system for easy storage and backup of the configuration.



# QUINT-UPS/ 24DC/ 24DC/20 - Uninterruptible power supply



2320238

<https://www.phoenixcontact.com/in/products/2320238>

## IFS-CONFSTICK-L - Memory block

2901103

<https://www.phoenixcontact.com/in/products/2901103>



Multi-functional memory block with handle for the INTERFACE system; for easy storage and back up of the configuration.

---

Phoenix Contact 2024 © - all rights reserved

<https://www.phoenixcontact.com>

PHOENIX CONTACT (I) Pvt. Ltd.

A-58/2, Okhla Industrial Area, Phase - II, New Delhi-110 020

+91.1275.71420

[info@phoenixcontact.co.in](mailto:info@phoenixcontact.co.in)