



General Specifications

Nominal Diameter : 15 inch
Rated Impedance : 8Ω
Operating Bandwidth : 40Hz to 2.5kHz (-3dB)
Power Handling Capacity : 500 Watts
Sensitivity (1W/M) : 94dB ±3dB
Voice Coil Diameter : 4 inch

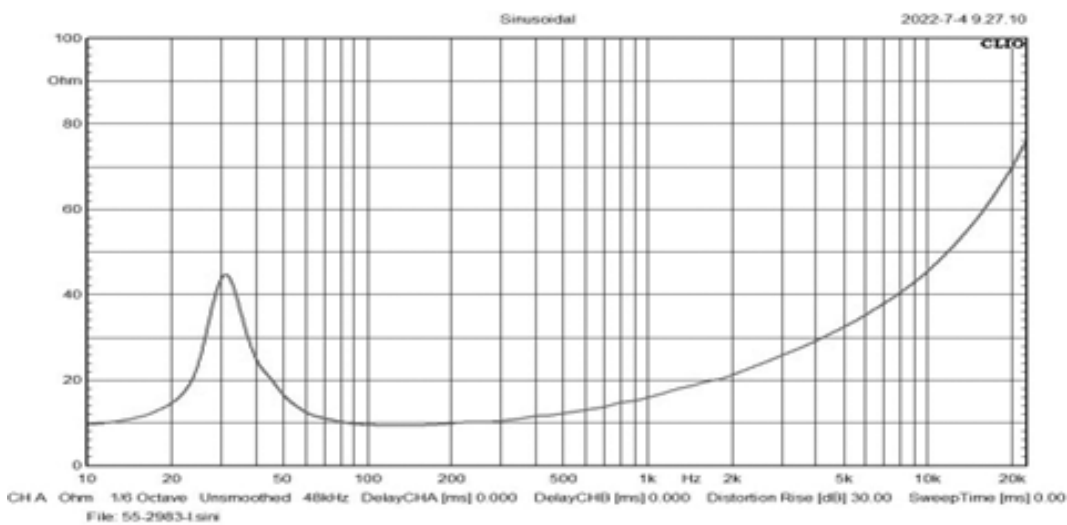
Physical Information

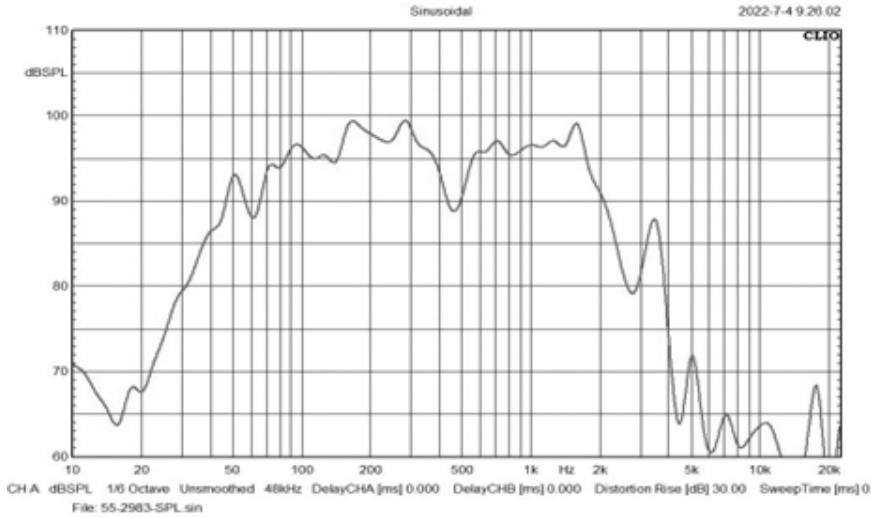
Basket : Aluminium die-cast basket
Magnet Type : 100 OZ
Cone Material : Non-press Paper
Surround : Cloth Surround
Dust Cap : PP
Damper : Cloth

THIELE-Small Parameters

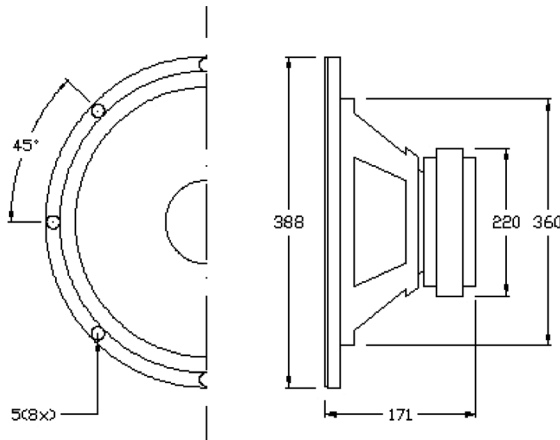
Resonance Frequency	Fs:	31.3Hz
DC Resistance	Re:	6.3Ω
Mechanical Q Factor	Qms:	2.7502
Electrical Q Factor	Qes:	0.4519
Total Q Factor	Qts:	0.3881
Equivalent Cas air load	Vas:	216.35 liters
Surface Area of Cone	Sd:	0.865E m ²
Efficiency Bandwidth Product	EBP	69.2
Voice Coil Over Hang	X-max	7mm

Curves





Diagram



Part Number Table

Description	Part Number
8Ω Woofer with Die-cast Aluminium Basket, 15", 500W	55-2983

Dimensions : Millimetres

Important Notice : This data sheet and its contents (the "Information") belong to the members of the AVNET group of companies (the "Group") or are licensed to it. No licence is granted for the use of it other than for information purposes in connection with the products to which it relates. No licence of any intellectual property rights is granted. The Information is subject to change without notice and replaces all data sheets previously supplied. The Information supplied is believed to be accurate but the Group assumes no responsibility for its accuracy or completeness, any error in or omission from it or for any use made of it. Users of this data sheet should check for themselves the Information and the suitability of the products for their purpose and not make any assumptions based on information included or omitted. Liability for loss or damage resulting from any reliance on the Information or use of it (including liability resulting from negligence or where the Group was aware of the possibility of such loss or damage arising) is excluded. This will not operate to limit or restrict the Group's liability for death or personal injury resulting from its negligence. Multicomp Pro is the registered trademark of Premier Farnell Limited 2019.