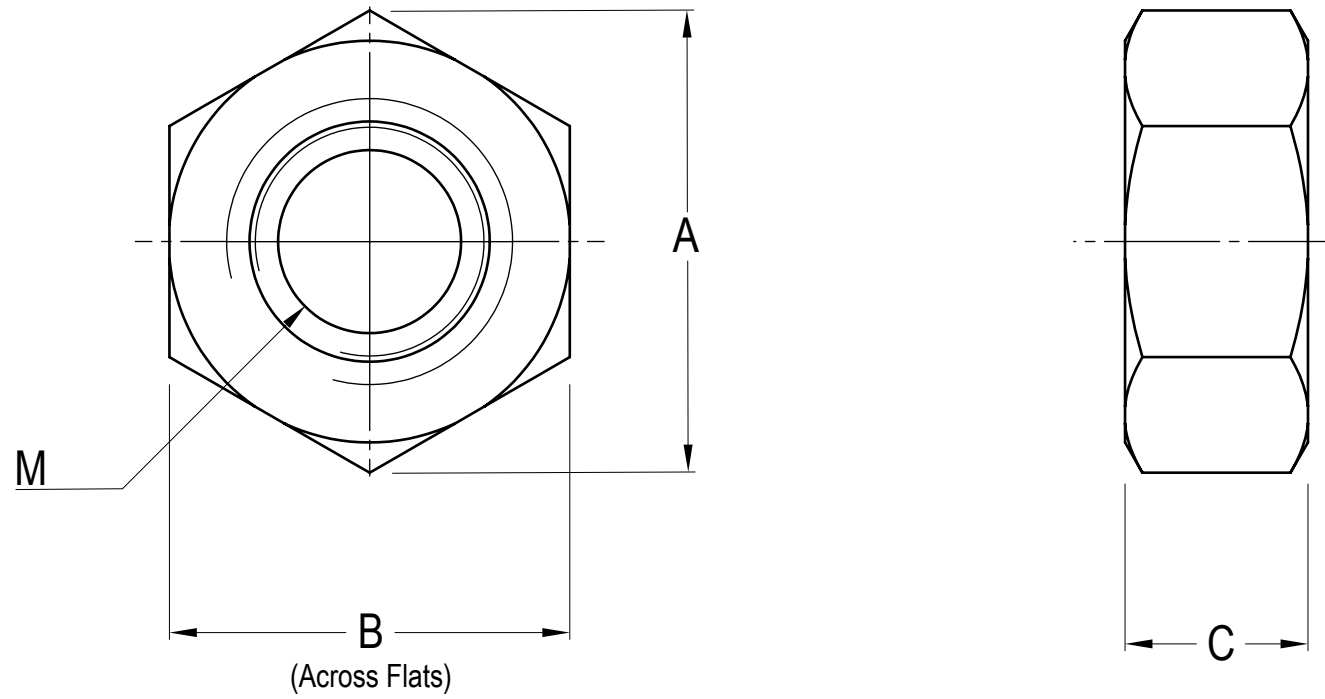


Part Number	M (Thread Size)	A (Nom)	B (Nom)	C (Nom)
RP0000078318	M2 x 0.4	4.4	4.0	1.6
RP0000078315	M2.5 x 0.45	5.5	5.0	2.0
RP0000078310	M3 x 0.5	6.1	5.5	2.4
RP0000078307	M4 x 0.7	7.9	6.9	3.0
RP0000381306	M5 x 0.8	9.0	8.0	4.0
RP0000381428	M6 x 1.0	11.3	10.0	5.0
RP0000314267	M8 x 1.25	14.2	13.0	6.4
RP0000380850	M10 x 1.5	18.7	17.0	9.5

REVISION	
A	INITIAL DRAWING 02.02.2024



NOTES: DO NOT SCALE DRAWING



UNLESS OTHERWISE SPECIFIED:
DIMENSIONS ARE IN MM (MILLIMETERS).

	NAME	DATE
DRAWN	Andrew Fletcher	02.02.24
CHK'D		
APPV'D		

MATERIAL: NYLON 6,6 - UL94V-2

HEAT TREATMENT: N/A

TITLE: Metric Hexagon Full Nut

DESIGN RIGHT. TR FASTENINGS LTD, 2024
UNDER NO CIRCUMSTANCES MUST THIS DRAWING BE COPIED
OR DISCLOSED WITHOUT FIRST OBTAINING WRITTEN
AUTHORITY.

CUSTOMER PART NUMBER:
N/A

FINISH/COLOUR: NATURAL

DRAWING NUMBER: N/A

A4