

# Product data sheet

Specifications



## standard analog output kit STB - +/- 10 V - 2 O - 15 bits + sign

STBAVO0200K

**Product availability : Stock - Normally stocked in distribution facility**

### Main

Range of Product	Modicon STB distributed I/O solution
Product or Component Type	Standard analog output kit
Kit composition	STBAVO0200 module STBXTS2100, 6-terminal spring clamp connector STBXBA2000 base STBXTS1100, 6-terminal screw type connector
Analogue output type	Voltage +/- 10 V Voltage +/- 5 V Voltage 0...10 V Voltage 0...5 V Voltage 1...5 V
Analogue output number	2
Analogue output resolution	15 bits + sign

### Complementary

Analogue output current	150 mA
Response Time	3 ms
Cold swapping	Yes
Hot swapping	Yes for standard NIMs
Fallback	State 0 basic NIMs User configurable standard NIMs
Data format	EN 61131-2 IEC 61131-2
Update time	8 ms
Protection Type	Short-circuit protection
Integral linearity	+/- 0.5 %FS
Differential linearity	Monotonic
Absolute accuracy error	+/- 0.3 % of full scale 77 °F (25 °C)
Temperature Drift	+/-0.01 %/°C
Insulation between channels and actuator bus	200 V
Addressing requirement	4 output words
Product Compatibility	Mounting base STBXBA2000 Power distribution module STBPDT3100/3105
[Us] rated supply voltage	24 V DC

<b>Supply</b>	Power distribution module
<b>Current consumption</b>	265 mA 5 V DC logic bus
<b>Marking</b>	CE
<b>Overvoltage category</b>	II
<b>Status LED</b>	1 LED (Green) module status (RDY) 1 LED (Red) module error (ERR)
<b>Depth</b>	2.76 in (70 mm)
<b>Height</b>	0.72 in (18.4 mm)
<b>Width</b>	5.05 in (128.3 mm)
<b>Net Weight</b>	0.26 lb(US) (0.116 kg)

## Environment

<b>Product Certifications</b>	CSA UL FM Class 1 Division 2
<b>Pollution degree</b>	2 IEC 60664-1
<b>Operating altitude</b>	<= 6561.68 ft (2000 m)
<b>IP degree of protection</b>	IP20 conforming to EN 61131-2 class 1
<b>Ambient air temperature for operation</b>	-13...167 °F (-25...75 °C) without  - 13...158 °F without
<b>Ambient air temperature for storage</b>	-40...185 °F (-40...85 °C) without  -40...185 °F without
<b>Relative humidity</b>	95 % 140 °F (60 °C) without condensation
<b>Vibration resistance</b>	3 gn 58...150 Hz 35 x 7.5 mm symmetrical DIN rail 5 gn 58...150 Hz 35 x 15 mm symmetrical DIN rail +/-0.35 mm 10...58 Hz
<b>Shock resistance</b>	30 gn 11 ms IEC 88 reference 2-27

## Ordering and shipping details

<b>Category</b>	18215-ADVANTYS STB I/O
<b>Discount Schedule</b>	PC32
<b>GTIN</b>	3595863948950
<b>Returnability</b>	No
<b>Country of origin</b>	ID

## Packing Units

<b>Unit Type of Package 1</b>	PCE
<b>Number of Units in Package 1</b>	1
<b>Package 1 Height</b>	1.18 in (3.0 cm)
<b>Package 1 Width</b>	3.15 in (8.0 cm)
<b>Package 1 Length</b>	5.12 in (13.0 cm)
<b>Package 1 Weight</b>	5.22 oz (148.0 g)
<b>Unit Type of Package 2</b>	S02
<b>Number of Units in Package 2</b>	28
<b>Package 2 Height</b>	5.91 in (15.0 cm)

Package 2 Width	11.81 in (30.0 cm)
Package 2 Length	15.75 in (40.0 cm)
Package 2 Weight	10.08 lb(US) (4.57 kg)
Unit Type of Package 3	PAL
Number of Units in Package 3	448
Package 3 Height	23.62 in (60.0 cm)
Package 3 Width	31.50 in (80.0 cm)
Package 3 Length	176.38 in (448.0 cm)
Package 3 Weight	146.18 lb(US) (66.304 kg)

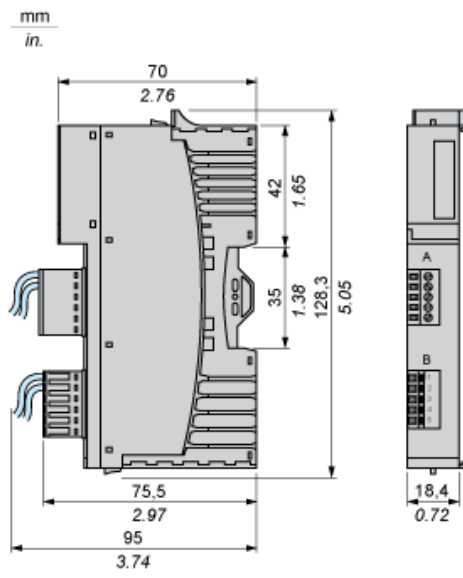
## Offer Sustainability

Sustainable offer status	Green Premium product
California proposition 65	WARNING: This product can expose you to chemicals including: Lead and lead compounds, which is known to the State of California to cause cancer and birth defects or other reproductive harm. For more information go to <a href="http://www.P65Warnings.ca.gov">www.P65Warnings.ca.gov</a>
REACH Regulation	<a href="#">REACH Declaration</a>
EU RoHS Directive	Pro-active compliance (Product out of EU RoHS legal scope) <a href="#">EU RoHS Declaration</a>
Mercury free	Yes
China RoHS Regulation	<a href="#">China RoHS declaration</a>
RoHS exemption information	<a href="#">Yes</a>
Environmental Disclosure	<a href="#">Product Environmental Profile</a>
Circularity Profile	<a href="#">End of Life Information</a>
WEEE	The product must be disposed on European Union markets following specific waste collection and never end up in rubbish bins.

## Contractual warranty

Warranty	18 months
----------	-----------

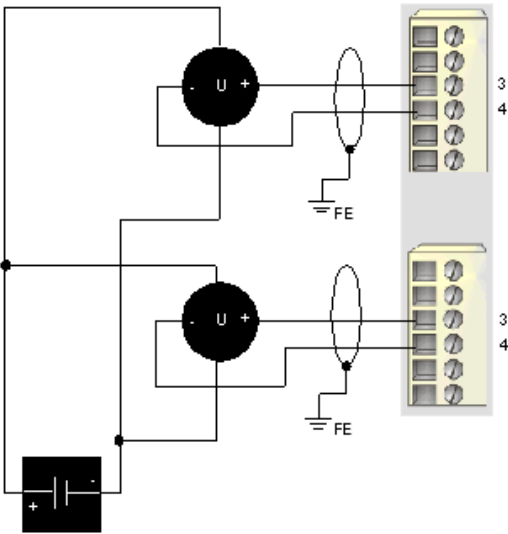
Dimensions



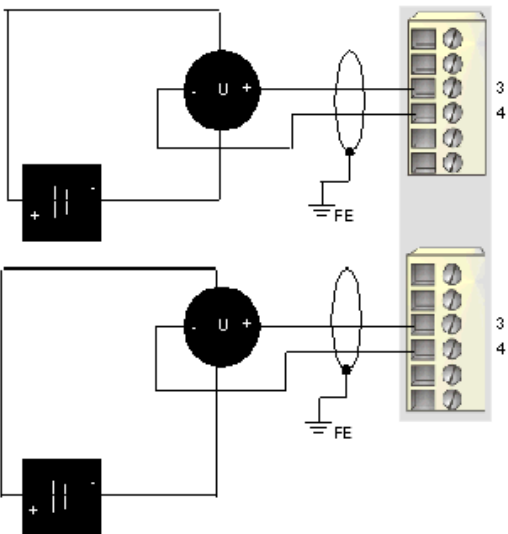
**Wiring Diagrams**

**Examples**

2 isolated analog actuators, 24 VDC external power supply



2 isolated analog actuators, external 24 VDC power supply



Pin	Top Connections	Bottom Connections
1	no connection	no connection
2	no connection	no connection
3	output to actuator 1	output to actuator 2
4	output channel return	output channel return
5	no connection	no connection
6	no connection	no connection

**Recommended replacement(s)**