

This information is given as an indication. In the continual goal to improve our products, we reserve the right to make any modifications judged necessary.



1 W

DC- 3 GHz

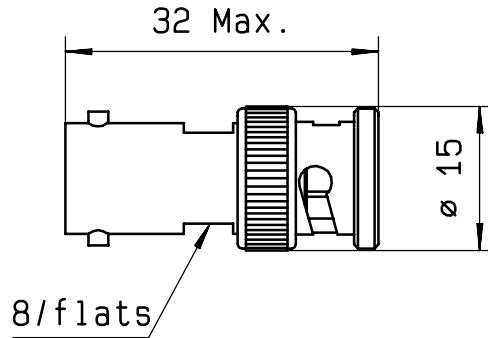
BNC

COAXIAL ATTENUATOR

issue
21. apr. 99

Page
1 / 1

DRAWING



General tolerances: +/- 0.5 mm

R F CHARACTERISTICS

FREQUENCY RANGE : DC - 3 GHz
 IMPEDANCE : 50 Ohms
 ATTENUATION - NOMINAL : 6 dB

FREQUENCY	DC- 2 GHz	2 - 3 GHz
V.S.W.R	<= 1.20	<= 1.30
DEVIATION (dB)	+ 0.3 / - 0.3	+ 0.5 / - 0.5

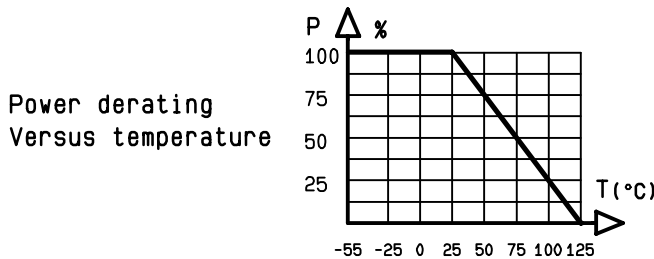
PEAK POWER at 25°C (1µs,1%.) : 100 W
 AVERAGE POWER at 25°C : 1 W

MECHANICAL CHARACTERISTICS

CONNECTORS : BNC male/female per MIL-C 39012
 WEIGHT : < 17 g

ENVIRONMENTAL CHARACTERISTICS

OPERATING TEMPERATURE RANGE (°C) : -40 , +85
 STORAGE TEMPERATURE RANGE (°C) : -40 , +85



CREATION				
N° :				
PEN/EP:EPH9403				
Name:RP	21.apr.99	Addition 2 flats on the body	JL	VE
Date:29. jun.95	17.Apr.96	weight: 15->17 g	RP	VE
APP.:VE	ISSUE	REVISIONS	NAME	APPR.

RADIAL[®]

101. rue P. Hoffmann -Z.I Ouest-
 93116 ROSNY/BOIS Cedex-FRANCE
 Phone:33(1)49353535
 Fax :33(1)48546363
 Twx RADIA 235220F