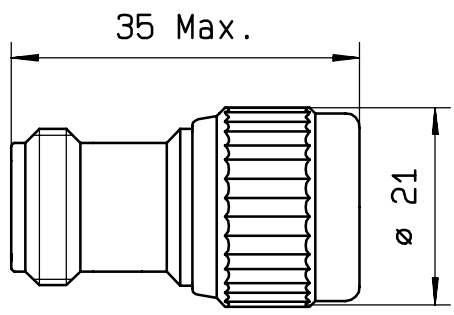


This information is given as an indication. In the continual goal to improve our products, we reserve the right to make any modifications judged necessary



**DRAWING**



General tolerances: +/- 0.5 mm

**R F CHARACTERISTICS**

FREQUENCY RANGE : DC - 3 GHz  
 IMPEDANCE : 50 Ohms  
 ATTENUATION - NOMINAL : 3 dB

FREQUENCY	DC- 2 GHz	2 - 3 GHz
V.S.W.R	<= 1.20	<= 1.30
DEVIATION (dB)	+0.3 / -0.3	+0.5 / -0.5

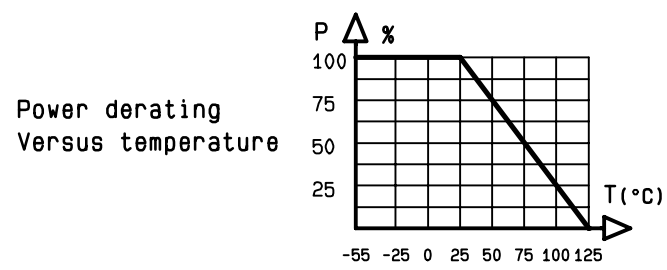
PEAK POWER at 25°C (1µs,1%.) : 100 W  
 AVERAGE POWER at 25°C : 1 W

**MECHANICAL CHARACTERISTICS**

CONNECTORS : N male/female per MIL-C 39012  
 WEIGHT : < 43 g

**ENVIRONMENTAL CHARACTERISTICS**

OPERATING TEMPERATURE RANGE (°C) : -40 , +85  
 STORAGE TEMPERATURE RANGE (°C) : -40 , +85



CREATION				
N° :				
PEN/EP: EPH9403				
Name: RP				
Date: 29. jun. 95	17. Apr. 96	weight: 40->43 g	RP	VE
APP.: VE	ISSUE	REVISIONS	NAME	APPR.

**RADIALL®**  
 101. rue P. Hoffmann -Z.I Ouest-  
 93116 ROSNY/BOIS Cedex-FRANCE  
 Phone : 33(1)49353535  
 Fax : 33(1)48546363  
 Twx RADIA 235220F