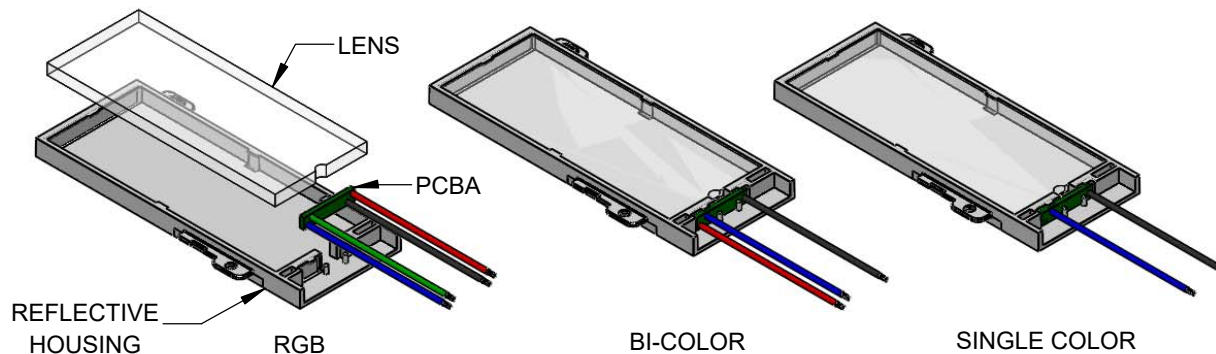
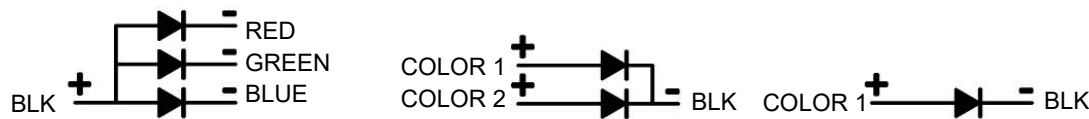
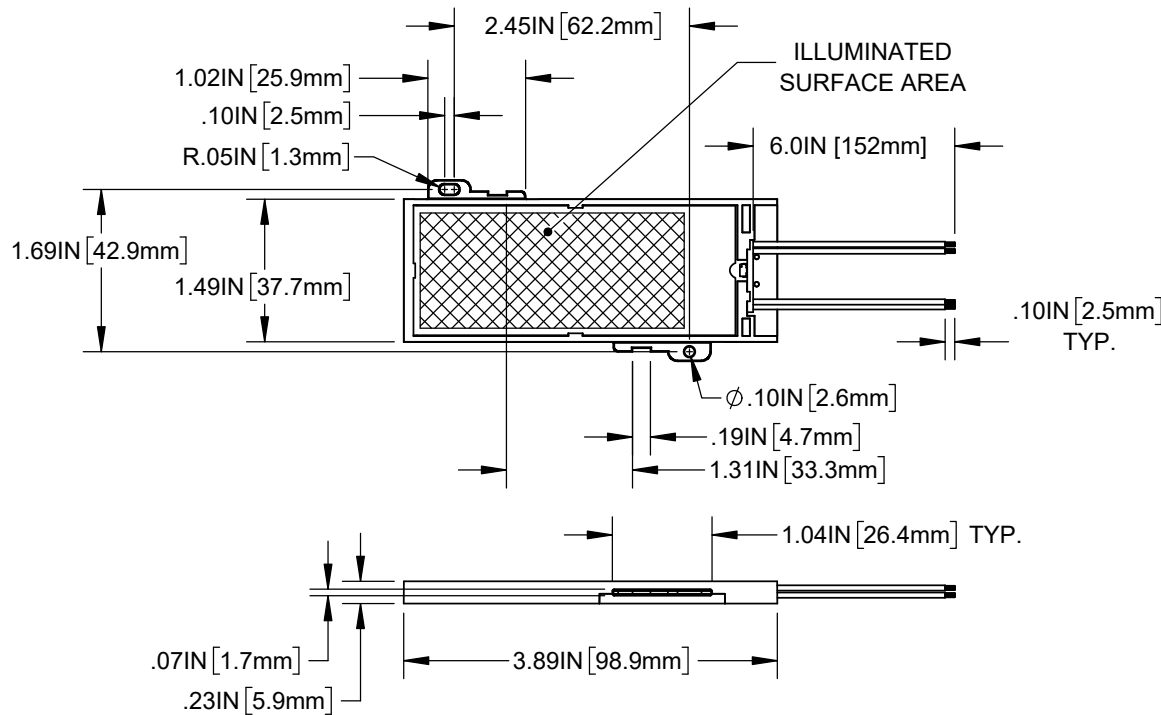


NOTES:

1. HOUSING: HIGHLY REFLECTIVE PC (OR ABS), UL94V-0.
2. LENS: PMMA; CLEAR
3. WIRES: AWG #26, UL1061, RED, GREEN, YELLOW, BLUE & BLACK
4. VOLTAGE INPUT: 5VDC, .020mA Typical.
5. COMMON ANODE (BLACK WIRE).LEDS PER BIVAR SMTL2 AND SMTL4 SERIES. (SEE TABLE)
6. CHECK BIVAR.COM WEBSITE FOR MOUNTING CONFIGURATIONS.
7. ILLUMINATED SURFACE AREA OF 2.5IN X 1.2IN

REVISIONS			
REV.	DESCRIPTION	DATE	APPROVED
A	ENGINEERING RELEASE	03/06/2024	A.V.



PART NO.	COLOR	LED	λ_D
SAR-0001-RD	Red	SMTL2-URC	620
SAR-0001-GN	Green	SMTL2-UPGC	520
SAR-0001-YW	Yellow	SMTL2-UYC	590
SAR-0001-RB	Red	SMTL4-SBC-RB	624
	Blue		470
SAR-0001-YG	Yellow	SMTL4-SBC-YG	590
	Green		572
SAR-0001-RG	Red	SMTL4-SBC	624
	Green		572
SAR-0001-RY	Red	SMTL4-SBC-RY	624
	Yellow		590
SAR-0001-RGB	Red	SMTL4-SRGB	624
	Green		520
	Blue		470

CUSTOMER USE DRAWING

STANDARD TOLERANCE (UNLESS OTHERWISE SPECIFIED)		 4 THOMAS, IRVINE, CA. 92618 TEL: (949) 951-8808 FAX: (949) 951-3974			
DECIMALS	ANGULAR				
.X ± .1	X° ± 1°	TITLE: SURFACE AREA LED LENS GUIDE, RECTANGULAR			
.XX ± .01					
.XXX ± .005		DESIGNED: D.KIM	DATE: 03/06/2024	DRAWING NO: SAR-0001-XX	REVISION: A
		REVISD:	DATE:	SHEET SIZE: A	CAGE CODE: 32559
CHECKED: A.VALDEZ	DATE: 03/06/2024	SCALE: 1:2	SHEET # 1 OF 1		
CAD GENERATED DOCUMENT, DO NOT MEASURE DRAWING					