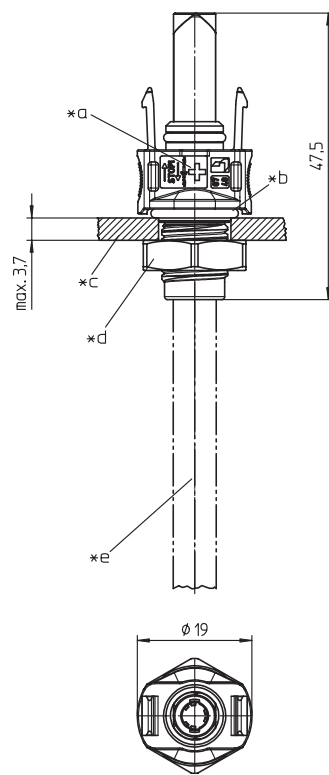
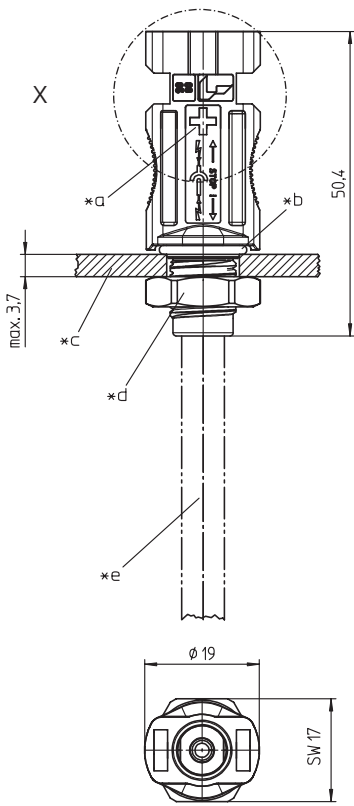




LC4-CP 10



LC4-CP 11



LC4-CP 10
LC4-CP 11

Photovoltaic connector, field-attachable, with crimp contact
LC4-CP 10: plug
LC4-CP 11: socket

- Temperature range** -40 °C/+90 °C
(+110 °C upper limit temperature)
- Materials**
Body/housing PPE/PS, V0 according to UL 94
halogen-free, UV-resistant
Contact pin/bush CuZn, pre-nickel and tinned
Seal NBR
Cap nut PET GF, V0 according to UL 94
- Mechanical data**
Insertion force¹ ≤ 20 N
Withdrawal force¹ ≥ 10 N
Retaining force of locking latches² ≥ 90 N
Mating cycles 50
Mating with photovoltaic connectors LC4
Protection degree³ IP 68
Connectable conductors crimp terminal
Section LC4-CP ... 2.5 2.5 mm² (AWG 14)
Section LC4-CP ... 4.0 4.0 mm² (AWG 12)
Section LC4-CP ... 6.0 6.0 mm² (AWG 10)

- Electrical data (at T_{amb} 20 °C)**
Contact resistance² ≤ 5.0 mΩ
Rated current LC4-CP ... 2.5 22 A at T_{amb} 85 °C
Rated current LC4-CP ... 4.0 35 A at T_{amb} 85 °C
Rated current LC4-CP ... 6.0 40 A at T_{amb} 85 °C
Rated voltage⁴ 1000 V DC (UL = 600 V DC)
Overvoltage category⁴ III (8 kV)
Material group⁴ IIIa (CTI ≥ 250)
Creepage distance ≥ 28.2 mm
Clearance ≥ 28.2 mm
Insulation resistance > 10 GΩ
Protective class II

¹ measured with a polished steel gauge, nominal thickness 4.0 mm
² measured with a proper counterpart
³ 1 m/24 h, only in mated condition with a proper counterpart
⁴ IP X8 requirements under agreement between manufacturer and user according to DIN EN 60664/IEC 60664



Approvals under preparation

LC4-CP 10 IT

X



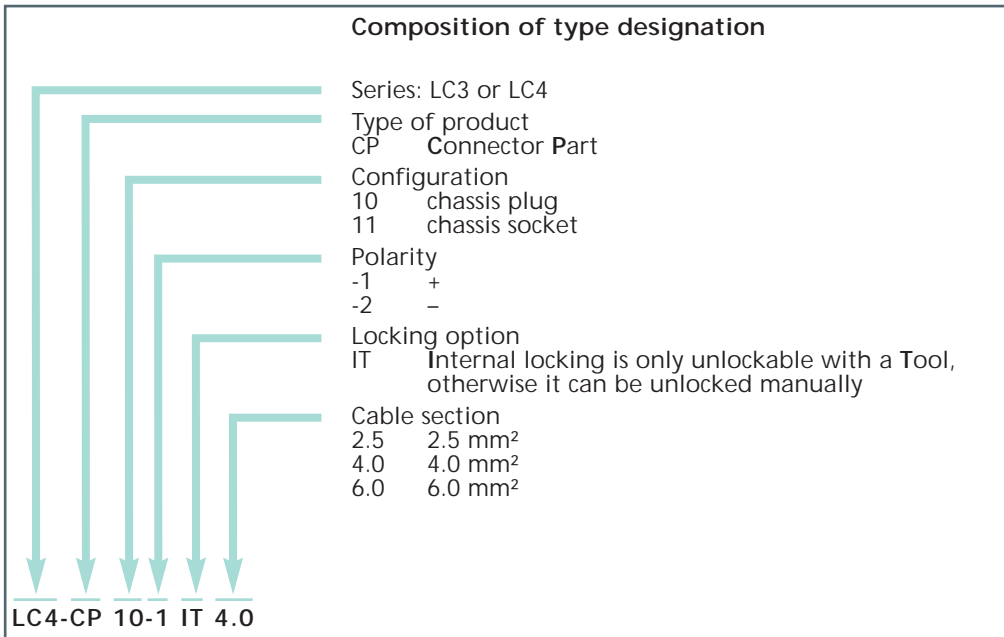
*a marking + on LC3-CP ...-1, - bei LC3-CP ...-2

*b sealing

*c chassis panel

*d nut enclosed separately

*e cable with mounted contact to be inserted into the housing after crimping process



Features and benefits

- chassis receptacles for system components such as inverters, generator isolation housings or accumulation boxes
- two locking options: unlockable either manually or only with a tool, according to NEC 2008 NFPA 70
- quick and easy assembly
- manual tool and crimping machine allow for cost-effective assembly of small and high volumes
- rugged and durable for permanently reliable system operation
- with contact-voltage protection
- highest protection degree IP 68
- UV and ozone-resistant
- halogen-free
- protective caps available for transport or spare receptacles

LC4®

Typical examples

Designation	Description	Polarity	Section (mm ²)
LC4-CP 10-1 2.5	chassis plug	+	2.5
LC4-CP 10-2 4.0	chassis plug	-	4.0
LC4-CP 10-1 6.0	chassis plug	+	6.0
LC4-CP 10-1 IT 6.0	chassis plug unlockable only with a tool	+	6.0
LC4-CP 11-2 4.0	chassis socket	-	4.0

Package unit: 100 pieces in a cardboard box