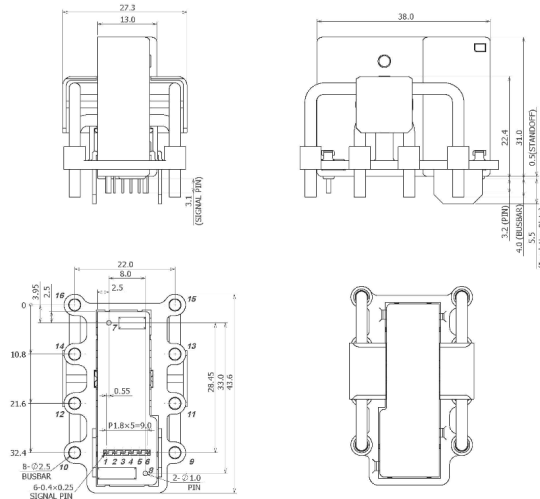


FG-R04-4BA

Aliases (USETR044BAA000)

KEMET, FG-R04, Current, Through-Hole, Residual, Open-loop, Fluxgate-Based Current Detection, PCB Mounting



Click [here](#) for the 3D model.

Dimensions

| | |
|----|------------|
| L | 31mm MAX |
| W | 43.6mm MAX |
| T | 27.3mm MAX |
| LL | 3.2mm MAX |

Packaging Specifications

| | |
|--------------------------|-----------|
| Packaging | Tray, Box |
| Packaging Quantity | 150 |
| Typical Component Weight | 32 g |

General Information

| | |
|----------------|---|
| Series | FG-R04 |
| Type | Current |
| Style | Through-Hole |
| Description | Fluxgate-Based Residual Current Sensor |
| Features | Open-loop, Fluxgate-Based Current Detection, PCB Mounting |
| Lead | 6 Pin |
| RoHS | Yes |
| REACH | Yes |
| Qualifications | IEC |

Specifications

| | |
|------------------------|--|
| Temperature Range | -40/+105°C |
| Voltage DC | 2.25 V (PIN3, Analog Output; typical) |
| Power Supply Voltage | 5 V +/- 5% |
| Current | 6 mA (MAX; DC Detection), 30 mArms (MAX, 55 Hz; AC Detection) |
| Sensitivity | 40 V/A (PIN3, AOUT; typical) |
| Frequency Range | 150 Hz MAX (at -3 dB; PIN3 AOUT) |
| Measuring Range | +/-50 mA |
| AC Alarm Response Time | 60 typical, 250 maximum (ms, @30 mArms); 20 typical, 100 maximum (ms, @60 mArms); 8 typical, 15 maximum (ms, @150 mArms); 7 typical, 10 maximum (ms, > 5 Arms) |
| DC Alarm Response Time | 280 typical, 1000 maximum (ms, @6 mA); 24 typical, 250 maximum (ms, @60 mA); 6 typical, 15 maximum (ms, @300 mA) |

Statements of suitability for certain applications are based on our knowledge of typical operating conditions for such applications, but are not intended to constitute - and we specifically disclaim - any warranty concerning suitability for a specific customer application or use. This information is intended for use only by customers who have the requisite experience and capability to determine the correct products for their application. Any technical advice inferred from this information or otherwise provided by us with reference to the use of our products is given gratis, and we assume no obligation or liability for the advice given or results obtained.