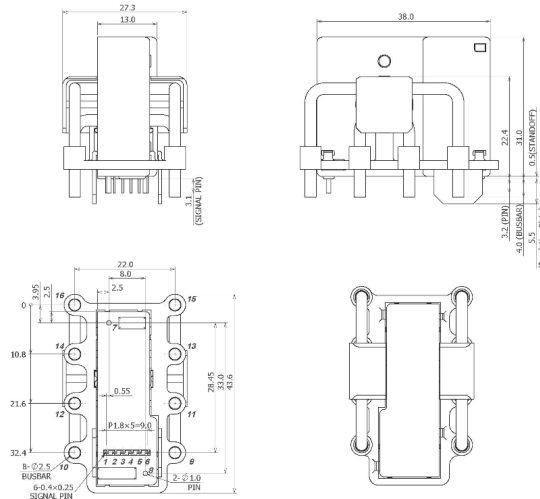


## FG-R04-4GA

Aliases (USETR044GAA000)

KEMET, FG-R04, Current, Through-Hole, Residual, Open-loop, Fluxgate-Based Current Detection, PCB Mounting



Click [here](#) for the 3D model.

### Dimensions

L	31mm MAX
W	43.6mm MAX
T	27.3mm MAX
LL	3.2mm MAX

### Packaging Specifications

Packaging	Tray, Box
Packaging Quantity	150
Typical Component Weight	32 g

### General Information

Series	FG-R04
Type	Current
Style	Through-Hole
Description	Fluxgate-Based Residual Current Sensor
Features	Open-loop, Fluxgate-Based Current Detection, PCB Mounting
Lead	6 Pin
RoHS	Yes
REACH	Yes
Qualifications	IEC

### Specifications

Temperature Range	-40/+105°C
Voltage DC	2.25 V (PIN3, Analog Output; typical)
Power Supply Voltage	5 V +/- 5%
Current	6 mA (MAX, 60 Hz; CCID5 Detection), 20 mArms (MAX, 60 Hz; CCID20 Detection)
Sensitivity	40 V/A (PIN3, AOUT; typical)
Frequency Range	150 Hz MAX (at -3 dB; PIN3 AOUT)
Measuring Range	+/-50 mA
AC Alarm Response Time	200 maximum (ms, @20 mArms); 20 maximum (ms, @150 mArms); 10 maximum (ms, @264 mArms)
DC Alarm Response Time	200 maximum (ms, @6 mA); 100 maximum (ms, @20 mA); 20 maximum (ms, @150 mA); 10 maximum (ms, @264 mA)

Statements of suitability for certain applications are based on our knowledge of typical operating conditions for such applications, but are not intended to constitute - and we specifically disclaim - any warranty concerning suitability for a specific customer application or use. This information is intended for use only by customers who have the requisite experience and capability to determine the correct products for their application. Any technical advice inferred from this information or otherwise provided by us with reference to the use of our products is given gratis, and we assume no obligation or liability for the advice given or results obtained.