

Description: 1608 Diplexer

PART NUMBER: DPX1608LKF3R2460A

Features:

- Compact Size
- Low loss
- High Soldering Heat Resistance

Applications:

- WLAN

ELECTRICAL SPECIFICATIONS

Low-Band

| Item | Frequency Range (MHz) | Min. | Typ. | Max. |
|------------------------------------|-----------------------|------|------|------|
| Insertion loss (dB) | 2400~2500 | - | 0.74 | 0.85 |
| Insertion Loss (dB) at -40~85°C | 2400~2500 | - | - | 1.00 |
| Return loss (dB) | 2400~2500 | 13 | 20.7 | - |
| Attenuation (dB) | 30~1000 | 12 | 15.1 | - |
| | 4800~5000 | 35 | 40.6 | - |
| | 5000~7125 | 30 | 36.9 | - |
| | 7200~7500 | 35 | 46.4 | - |
| | 7500~12000 | 18 | 20.3 | - |

In the effort to improve our products, we reserve the right to make changes judged to be necessary.

CONFIDENTIAL AND PROPRIETARY INFORMATION

This document contains confidential and proprietary information of Pulse Electronics, Inc. (Pulse) and is protected by copyright, trade secret and other state and federal laws. Its receipt or possession does not convey any rights to reproduce, disclose its contents, or to manufacture, use or sell anything it may describe. Reproduction, disclosure or use without specific written authorization of Pulse is strictly forbidden.

For more information:

Pulse Worldwide Headquarters
15255 Innovation Drive #100
San Diego, CA 92128
USA
Tel:1-858-674-8100

Pulse/Larsen Antennas
18110 SE 34th St Bldg 2 Suite 250
Vancouver, WA 98683
USA
Tel: 1-360-944-7551

Europe Headquarters
Pulse GmbH & Do, KG
Zeppelinstrasse 15
Herrenberg, Germany
Tel: 49 7032 7806 0

Pulse (Suzhou) Wireless Products Co, Inc.
99 Huo Ju Road(#29 Bldg,4th Phase
Suzhou New District
Jiangsu Province, Suzhou 215009 PR China
Tel: 86 512 6807 9998



Description: 1608 Diplexer

PART NUMBER: DPX1608LKF3R2460A

ELECTRICAL SPECIFICATIONS

High-Band

| Item | Frequency Range (MHz) | Min. | Typ. | Max. |
|------------------------------------|-----------------------|------|------|------|
| Insertion loss (dB) | 4900~5150 | - | 0.95 | 1.20 |
| | 5150~6300 | - | 0.78 | 1.00 |
| Insertion loss (dB) at -40~85°C | 4900~5150 | - | - | 1.35 |
| | 5150~6300 | - | - | 1.15 |
| Return loss (dB) | 4900~6300 | 11 | 16.5 | - |
| Attenuation (dB) | 70~1000 | 40 | 52.7 | - |
| | 1000~2400 | 40 | 48.0 | - |
| | 2400~2500 | 35 | 48.0 | - |
| | 9800~10300 | 30 | 36.3 | - |
| | 10300~12700 | 30 | 36.3 | - |
| | 14700~18900 | 12 | 16.3 | - |

Common

| Item | Frequency Range (MHz) | Min. | Typ. | Max. |
|------------------|-----------------------|------|------|------|
| Return loss (dB) | 2400~2500 | 13 | 17.8 | - |
| | 4900~6300 | 11 | 17.2 | - |

Isolation

| Item | Frequency Range (MHz) | Min. | Typ. | Max. |
|---------------|-----------------------|------|------|------|
| HB to LB (dB) | 2400~2500 | 35 | 44.8 | - |
| | 4800~5150 | 30 | 38.6 | - |
| | 5150~5950 | 30 | 36.5 | - |
| | 5950~6300 | 30 | 37.5 | - |
| | 11900~14250 | 15 | 19.2 | - |
| | 15000~18000 | 15 | 18.7 | - |

*Impedance for port1 = Match to client's chipset

Operating Temperature Range : -40~85°C

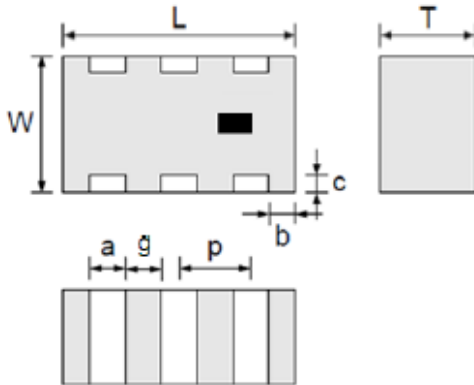
Power Capacity : 3W max.

Description: 1608 Diplexer

PART NUMBER: DPX1608LKF3R2460A

MECHANICAL DIMENSION

Outline



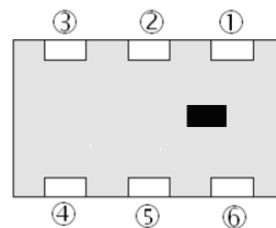
Dimension

| L | W | T | a |
|-----------|-----------|-----------|-----------|
| 1.60±0.10 | 0.80±0.10 | 0.70 max. | 0.20±0.10 |
| b | c | g | p |
| 0.20±0.15 | 0.15±0.10 | 0.30±0.10 | 0.50±0.05 |

NOTE : Dimensions in mm.

Termination

Top View

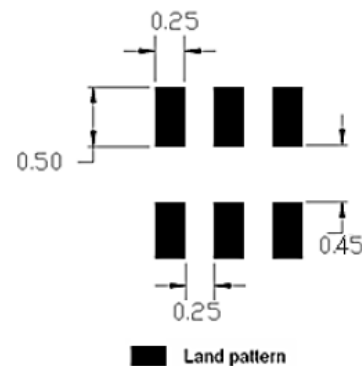
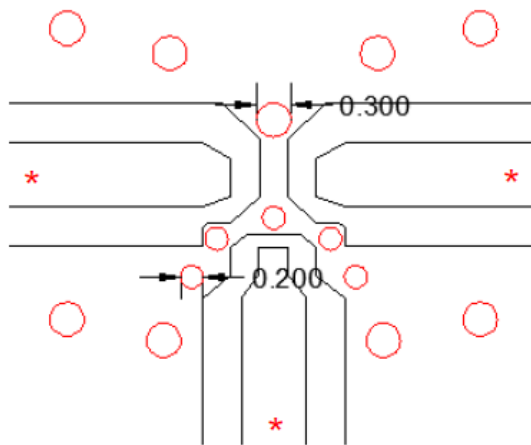


Terminal name

Function

| | |
|---|-----------|
| 1 | Low band |
| 2 | GND |
| 3 | High band |
| 4 | GND |
| 5 | Common |
| 6 | GND |

Reference design of EVB



Unit : mm

Line width should be designed to match 50Ω characteristic impedance, depending on PCB material and thickness.

In the effort to improve our products, we reserve the right to make changes judged to be necessary.

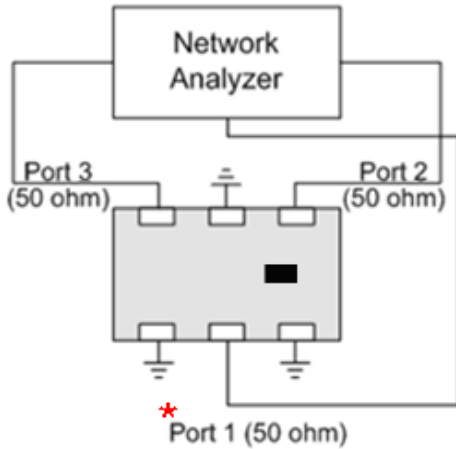
CONFIDENTIAL AND PROPRIETARY INFORMATION

This document contains confidential and proprietary information of Pulse Electronics, Inc. (Pulse) and is protected by copyright, trade secret and other state and federal laws. Its receipt or possession does not convey any rights to reproduce, disclose its contents, or to manufacture, use or sell anything it may describe. Reproduction, disclosure or use without specific written authorization of Pulse is strictly forbidden.

Description: 1608 Diplexer

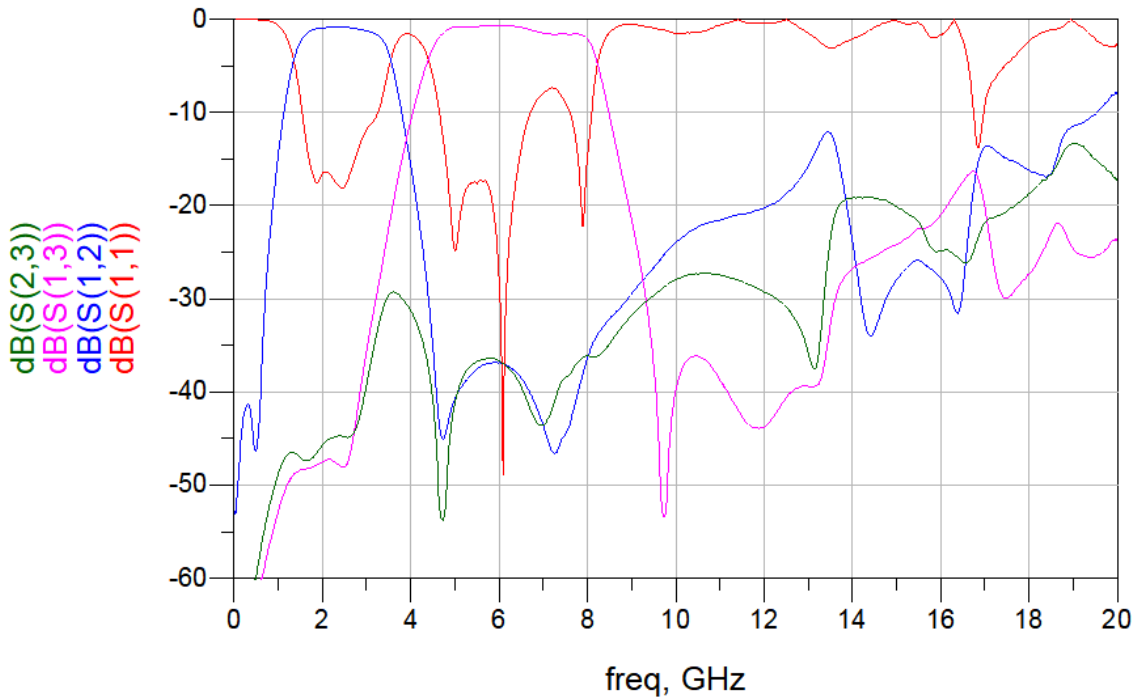
PART NUMBER: DPX1608LKF3R2460A

MEASURING DIAGRAM



Test Instrument :
Agilent E5071C Network Analyzer or equivalent.
*Impedance for port1 = Match to client's chipset

ELECTRICAL PERFORMANCES



Description: 1608 Diplexer

PART NUMBER: DPX1608LKF3R2460A

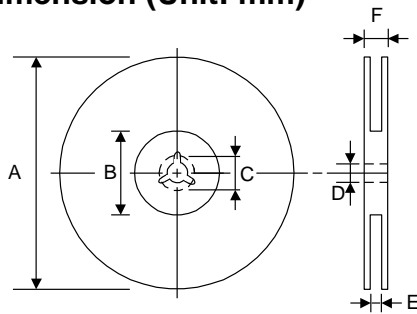
PACKING SPECIFICATION

Peel-off force



The force for peeling of cover tape is 10 grams in the arrow direction.

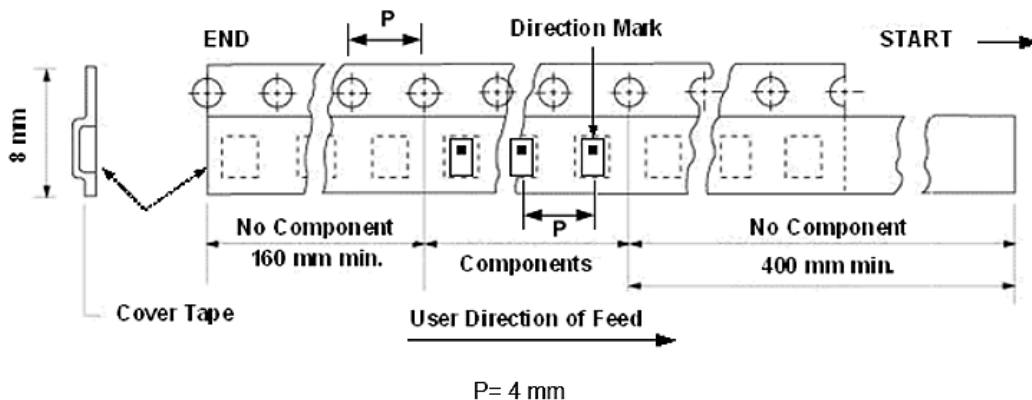
Dimension (Unit: mm)



| TYPE | A | B | C | D | E | F |
|-------|---------|--------------|----------|----------|----------|--------|
| 8 mm | 178±1 | 60+0.5 -0 | - | 13±0.2 | 9±0.5 | 12±0.5 |
| 12 mm | 178±0.3 | 60±0.2 | 19.3±0.1 | 13.5±0.1 | 13.6±0.1 | - |

Taping quantity

| SERIES | 5824 5724 | 5320 5220 | 4532 | 4516 | 3225 | 3216 2520 | 2012 1608 | 1005 0605 |
|----------|--------------|--------------|------|------|------|--------------|--------------|--------------|
| PCS/Reel | 5000 | 3000 | 1000 | 2000 | 2500 | 3000 | 4000 | 10000 |



In the effort to improve our products, we reserve the right to make changes judged to be necessary.
CONFIDENTIAL AND PROPRIETARY INFORMATION

This document contains confidential and proprietary information of Pulse Electronics, Inc. (Pulse) and is protected by copyright, trade secret and other state and federal laws. Its receipt or possession does not convey any rights to reproduce, disclose its contents, or to manufacture, use or sell anything it may describe. Reproduction, disclosure or use without specific written authorization of Pulse is strictly forbidden.

Description: 1608 Diplexer**PART NUMBER: DPX1608LKF3R2460A****REVISION HISTORY**

| Revision | Date | Description |
|-----------|---------------|-------------|
| Version 1 | Apr. 13, 2022 | - New issue |