

Description: 1608 Diplexer

PART NUMBER: DPX1608LKE8R2455A

**Features:**

- Compact Size
- Low loss
- High Soldering Heat Resistance

**Applications:**

- WiFi

**ELECTRICAL SPECIFICATIONS**

**Low-Band**

Item	Frequency Range(MHz)	Min.	Typ.	Max.
Insertion Loss (dB) at 25°C	2400~2500	-	0.41	0.50
Insertion Loss (dB) at -40~85°C	2400~2500	-	-	0.70
Return Loss (dB)	2400~2500	12	16.5	-
Attenuation (dB)	4800~5000	27	30.8	-
	7200~7500	27	36.5	-

**High-Band**

Item	Frequency Range(MHz)	Min.	Typ.	Max.
Insertion Loss (dB) at 25°C	5150~5850	-	0.55	0.70
Insertion Loss (dB) at -40~85°C	5150~5850	-	-	0.90
Return Loss (dB)	5150~5850	12	14.8	-
Attenuation (dB)	2400~2500	27	31.0	-
	10300~11700	27	33.5	-
	15450~16200	27	41.9	-

In the effort to improve our products, we reserve the right to make changes judged to be necessary.

CONFIDENTIAL AND PROPRIETARY INFORMATION

This document contains confidential and proprietary information of Pulse Electronics, Inc. (Pulse) and is protected by copyright, trade secret and other state and federal laws. Its receipt or possession does not convey any rights to reproduce, disclose its contents, or to manufacture, use or sell anything it may describe. Reproduction, disclosure or use without specific written authorization of Pulse is strictly forbidden.

For more information:

Pulse Worldwide Headquarters  
15255 Innovation Drive #100  
San Diego, CA 92128  
USA  
Tel:1-858-674-8100

Pulse/Larsen Antennas  
18110 SE 34<sup>th</sup> St Bldg 2 Suite 250  
Vancouver, WA 98683  
USA  
Tel: 1-360-944-7551

Europe Headquarters  
Pulse GmbH & Do, KG  
Zeppelinstrasse 15  
Herrenberg, Germany  
Tel: 49 7032 7806 0

Pulse (Suzhou) Wireless Products Co, Inc.  
99 Huo Ju Road(#29 Bldg,4<sup>th</sup> Phase  
Suzhou New District  
Jiangsu Province, Suzhou 215009 PR China  
Tel: 86 512 6807 9998



**Description: 1608 Diplexer**
**PART NUMBER: DPX1608LKE8R2455A**

## ELECTRICAL SPECIFICATIONS

**Common**

Item	Frequency Range(MHz)	Min.	Typ.	Max.
Return Loss (dB)	2400~2500	12	16.5	-
	5150~5850	12	14.9	-

**Isolation**

Item	Frequency Range(MHz)	Min.	Typ.	Max.
Low to High (dB)	2400~2500	27	31.9	-
	5150~5850	27	37.1	-

Operating Temperature Range : -40~85°C

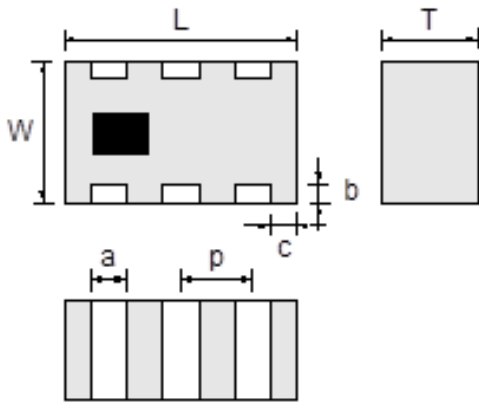
Power Capacity : 3W max.

Description: 1608 Diplexer

PART NUMBER: DPX1608LKE8R2455A

MECHANICAL DIMENSION

Outline

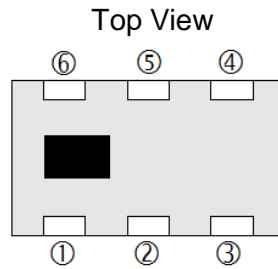


Dimension

L	W	T	a
1.60±0.15	0.80±0.10	0.60±0.10	0.20±0.10
b	c	p	
0.15±0.10	0.20±0.10	0.50±0.05	

NOTE : Dimensions in mm.

Termination

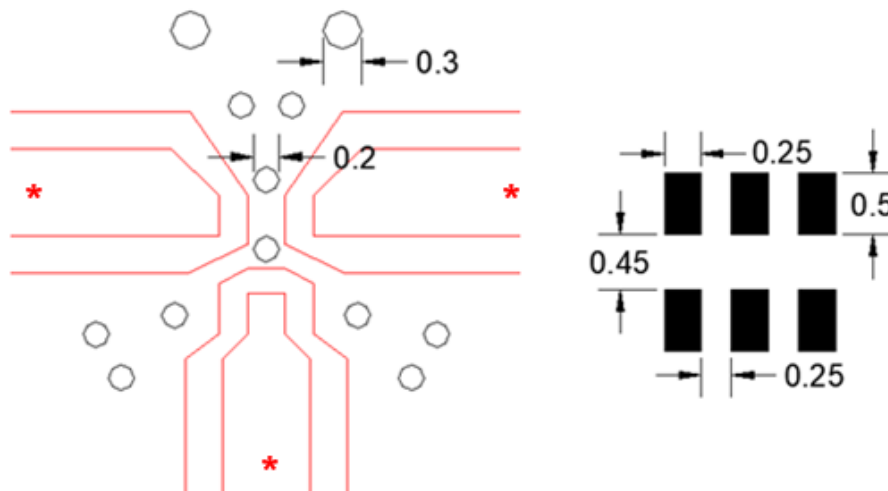


Terminal name

Function

Terminal name	Function
1	GND
2	Common
3	GND
4	High band
5	GND
6	Low band

Reference design of EVB



Unit : mm

\*Line width should be designed to match 50Ω characteristic impedance, depending on PCB material and thickness.

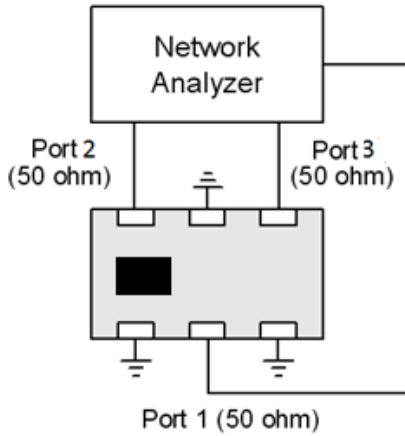
In the effort to improve our products, we reserve the right to make changes judged to be necessary.  
CONFIDENTIAL AND PROPRIETARY INFORMATION

This document contains confidential and proprietary information of Pulse Electronics, Inc. (Pulse) and is protected by copyright, trade secret and other state and federal laws. Its receipt or possession does not convey any rights to reproduce, disclose its contents, or to manufacture, use or sell anything it may describe. Reproduction, disclosure or use without specific written authorization of Pulse is strictly forbidden.

Description: 1608 Diplexer

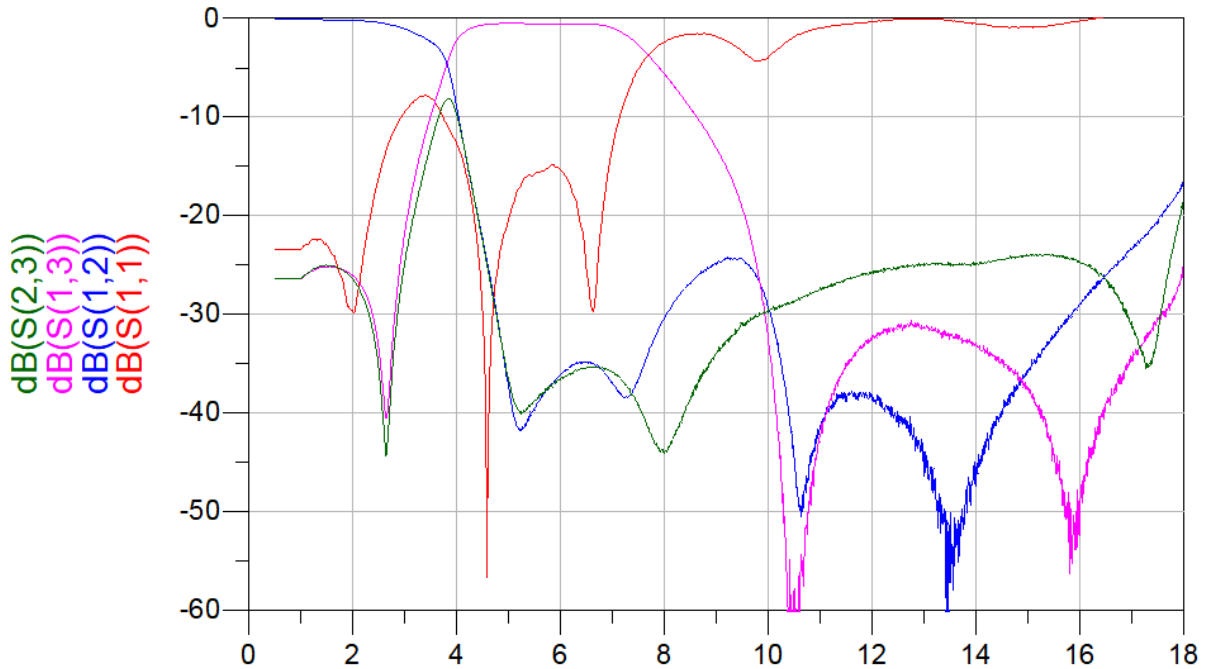
PART NUMBER: DPX1608LKE8R2455A

MEASURING DIAGRAM



Test Instrument :  
Agilent E5071C Network Analyzer or equivalent.

ELECTRICAL PERFORMANCES



In the effort to improve our products, we reserve the right to make changes judged to be necessary.

CONFIDENTIAL AND PROPRIETARY INFORMATION

This document contains confidential and proprietary information of Pulse Electronics, Inc. (Pulse) and is protected by copyright, trade secret and other state and federal laws. Its receipt or possession does not convey any rights to reproduce, disclose its contents, or to manufacture, use or sell anything it may describe. Reproduction, disclosure or use without specific written authorization of Pulse is strictly forbidden.

Description: 1608 Diplexer

PART NUMBER: DPX1608LKE8R2455A

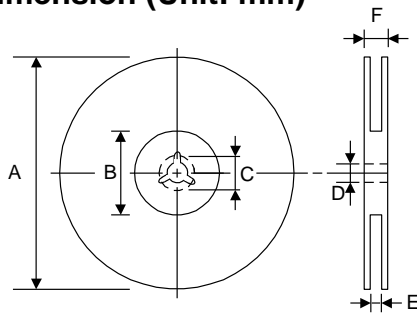
PACKING SPECIFICATION

Peel-off force



The force for peeling of cover tape is 10 grams in the arrow direction.

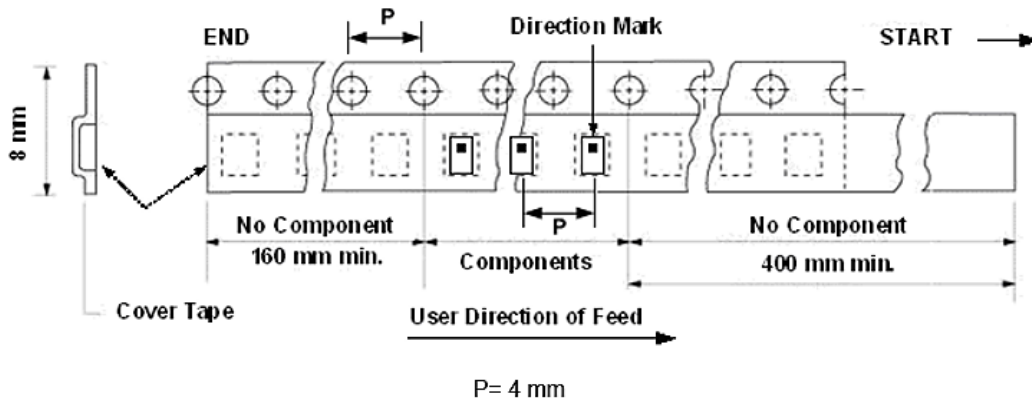
Dimension (Unit: mm)



TYPE	A	B	C	D	E	F
8 mm	178±1	60+0.5 -0	-	13±0.2	9±0.5	12±0.5
12 mm	178±0.3	60±0.2	19.3±0.1	13.5±0.1	13.6±0.1	-

Taping quantity

SERIES	5824 5724	5320 5220	4532	4516	3225	3216 2520	2012 1608	1005 0605
PCS/Reel	5000	3000	1000	2000	2500	3000	4000	10000



In the effort to improve our products, we reserve the right to make changes judged to be necessary.  
CONFIDENTIAL AND PROPRIETARY INFORMATION

This document contains confidential and proprietary information of Pulse Electronics, Inc. (Pulse) and is protected by copyright, trade secret and other state and federal laws. Its receipt or possession does not convey any rights to reproduce, disclose its contents, or to manufacture, use or sell anything it may describe. Reproduction, disclosure or use without specific written authorization of Pulse is strictly forbidden.

**Description: 1608 Diplexer****PART NUMBER: DPX1608LKE8R2455A****REVISION HISTORY**

Revision	Date	Description
Version 1	Nov. 11, 2022	- New issue