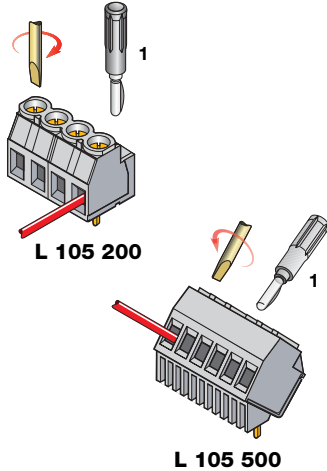


# P.C.B. terminal blocks

## Screw clamp connection

**Spacing 5.08 mm**

**Body : UL94 V0**



Single deck block 1 pin per pole.  
Single block with end plate.  
Test plug DIA. 2 mm.  
Without loss of spacing.

### Characteristics

Wire size				
	DIN-VDE	UL	CSA	NFC-UTE
Solid	0-2.5mm <sup>2</sup>			0-2.5mm <sup>2</sup>
Stranded	0-2.5mm <sup>2</sup>	22-14 AWG	22-14 AWG	0-2.5mm <sup>2</sup>
Voltage				
V	~	250 Gr.C	300	300
	=	250 Gr.C		250 Cat.C
Current at 20° C				
A	10	10	15	10
Rated wire size				
	2.5 mm <sup>2</sup>	14 AWG	14 AWG	2.5 mm <sup>2</sup>

### Other characteristics

Wire stripping length	Recomm. screwdriver	Recomm. torque	Protection
6 mm .236"	3.5 mm .138"	0.4 Nm 3.5 lb.in	IP 20 NEMA 1
Max. working temperature :			100 °C
Insulation resistance :			≥ 10 <sup>12</sup> Ω

### Approvals

### Accessories

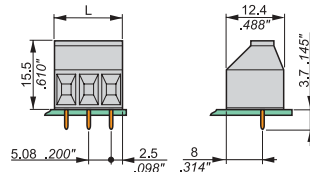
1	Test plug	Marking method
R	See section on marking	Marking method

## L 105 200

1 pin per pole

Spacing 5.08 mm .200"

Pin 0.8 x 0.9 x 3.7 mm  
.031" x .035" x .145"



Thickness P.C.B. ≤ 2.4 mm - .094"  
P.C.B. holes Ø 1.3 mm <sup>+0.1</sup> - .051" dia  
Terminal blocks for connection parallel to P.C.B.

### Part number

Spacing 5.08 mm		Grey body	L. mm
N. Poles			
2	L 105 202 01 100		10.10
3	L 105 203 01 100		15.20
4	L 105 204 01 100		20.30
5	L 105 205 01 100		25.40
6	L 105 206 01 100		30.40
7	L 105 207 01 100		35.50
8	L 105 208 01 100		40.60
9	L 105 209 01 100		45.70
10	L 105 210 01 100		50.80
12	L 105 212 01 100		60.90
14	L 105 214 01 100		71.10
15	L 105 215 01 100		76.20
16	L 105 216 01 100		81.20
18	L 105 218 01 100		91.40

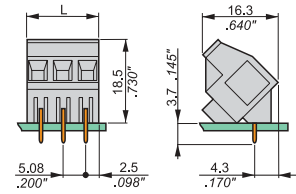
Other numbers of poles 19...36, consult us

## L 105 500

1 pin per pole

Spacing 5.08 mm .200"

Pin 0.8 x 0.9 x 3.7 mm  
.031" x .035" x .145"



Thickness P.C.B. ≤ 2.4 mm - .094"  
P.C.B. holes Ø 1.3 mm <sup>+0.1</sup> - .051" dia  
Terminal blocks for connection at 45° to P.C.B.

### Part number

Spacing 5.08 mm		Grey body	L. mm
N. Poles			
2	L 105 502 01 100		10.10
3	L 105 503 01 100		15.20
4	L 105 504 01 100		20.30
5	L 105 505 01 100		25.40
6	L 105 506 01 100		30.40
7	L 105 507 01 100		35.50
8	L 105 508 01 100		40.60
9	L 105 509 01 100		45.70
10	L 105 510 01 100		50.80
12	L 105 512 01 100		60.90
14	L 105 514 01 100		71.10
15	L 105 515 01 100		76.20
16	L 105 516 01 100		81.20
18	L 105 518 01 100		91.40

Other numbers of poles 19...36, consult us



Type	Part number
FC2 Ø 2 mm	0007 865.26
Marking using adhesive strips 1...25	L 93 025 05 100



Type	Part number
FC2 Ø 2 mm	0007 865.26
Marking using adhesive strips 1...25	L 93 025 05 100